

GPU SuperServer SYS-522GA-NRT

DP Intel 5U Dual-Root PCIe GPU System with up to 10 GPUs and extended thermal capacity



Key Applications

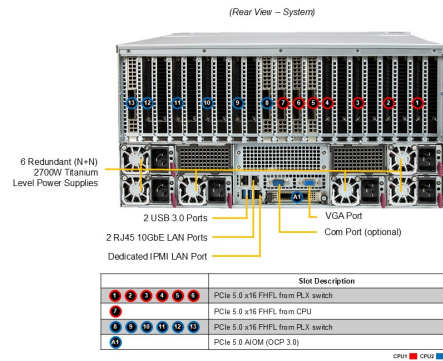
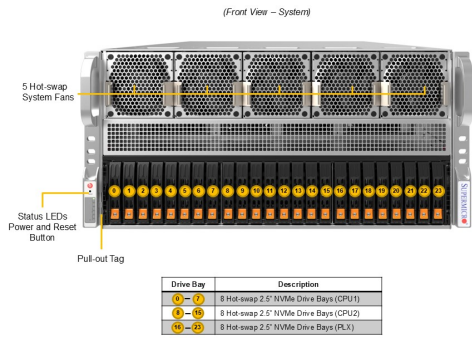
High Performance Computing, VDI, AI/Deep Learning Training, Media/Video Streaming, Cloud Gaming, Animation and Modeling, Design & Visualization, 3D Rendering, Diagnostic Imaging,

Key Features

- Dual Intel® Xeon® 6900 series processors with P-cores, up to 500W TDP;
- Support for up to 10 double-width PCIe GPU accelerator cards;
- 24 DIMM slots, ECC RDIMM / MRDIMM DDR5;
- Up to 13 PCIe 5.0 x16 FHFL slots;
- 24x U.2/U.3 NVMe and 2x M.2 NVMe;
- Flexible networking with AIOM slots;



Form Factor	5U Rackmount Enclosure: 437 x 222.5 x 737mm (17.2" x 8.75" x 29") Package: 720 x 440 x 1080mm (28.34" x 17.32" x 42.51")
Processor	Dual Socket BR (LGA-7529) Intel® Xeon® 6900 series processors with P-cores Up to 128C/256T; Up to 504MB Cache per CPU
GPU	Max GPU Count: Up to 10 double-width or 10 single-width GPUs Supported GPU: NVIDIA PCIe: H100 NVL, H200 NVL (141GB), L40S, L4 CPU-GPU Interconnect: PCIe 5.0 x16 Switch Dual-Root GPU-GPU Interconnect: NVIDIA® NVLink® Bridge (optional)
System Memory	Slot Count: 24 DIMM slots Max Memory (1DPC): Up to 6TB 6400MT/s ECC DDR5 RDIMM Max Memory (1DPC): Up to 6TB 8800MT/s ECC DDR5 MRDIMM
Drive Bays Configuration	Default: Total 24 bays • 24 front hot-swap 2.5" PCIe 5.0 NVMe drive bays M.2: 2 M.2 NVMe slots (M-key)
Expansion Slots	PCI-Express (PCIe) Configuration: Default • 13 PCIe 5.0 x16 FHFL slots M.2: 2 M.2 PCIe 5.0 x4 NVMe slots (B+M-key)
On-Board Devices	Chipset: System on Chip Network Connectivity: 2 RJ45 10GbE with Intel® X710-AT2
Input / Output	LAN: 2 RJ45 10 GbE LAN ports (Intel® I350) USB: 2 USB 3.0 Type-A ports(Rear) Video: 1 VGA port



System Cooling	Fans: 10 heavy duty fans with optimal fan speed control Air Shroud: 1 Air Shroud
Power Supply	6x 2700W Redundant Titanium Level (96%) power supplies
System BIOS	BIOS Type: AMI 32MB SPI Flash EEPROM
Management	SuperCloud Composer®; Supermicro Server Manager (SSM); Super Diagnostics Offline (SDO); Supermicro Thin-Agent Service (TAS); SuperServer Automation Assistant (SAA) New!
PC Health Monitoring	CPU: Monitors for CPU Cores, Chipset Voltages, Memory 8+4 Phase-switching voltage regulator FAN: Fans with tachometer monitoring Status monitor for speed control Pulse Width Modulated (PWM) fan connectors Temperature: Monitoring for CPU and chassis environment Thermal Control for fan connectors
Dimensions and Weight	Weight: Gross Weight: 100 lbs (45.3 kg) Net Weight: 65.5 lbs (29.7 kg) Available Color: Black Front & Silver Body
Operating Environment	Operating Temperature: 10°C to 35°C (50°F to 95°F) Non-operating Temperature: -40°C to 60°C (-40°F to 140°F) Operating Relative Humidity: 8% to 90% (non-condensing) Non-operating Relative Humidity: 5% to 95% (non-condensing)
Motherboard	Super X14DBG-AP
Chassis	CSE-528G2TS-R5K40P