

# GPU SuperServer AS -5126GS-TNRT

DP AMD 5U System with 8 PCIe GPUs



More details here

## Key Applications

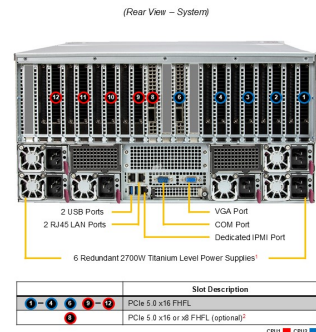
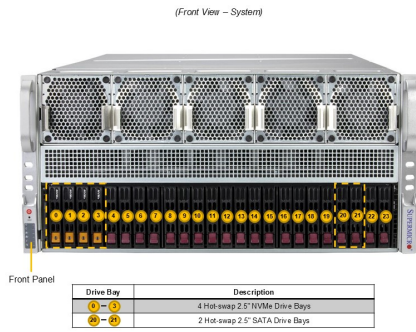
AI / Deep Learning, 3D Rendering Farm, Visualization / Simulation, High Performance Computing, Multimedia/Digital Content creation,

## Key Features

- Dual Socket SP5 AMD EPYC™ 9005 Series Processors up to 500W with air cooling;
- Support for up to 8 double-width PCIe GPU accelerator cards;
- Up to 24 DIMMs supporting up to 9TB DDR5-6000 in 1DPC;
- Up to 9 PCIe 5.0 x16 FHFL slots;
- Up to 2 front hot-swap 2.5" SATA + 4 front hot-swap 2.5" NVMe drive bays;



<b>Form Factor</b>	5U Rackmount Enclosure: 437 x 222.5 x 737mm (17.2" x 8.75" x 29") Package: 720 x 440 x 1080mm (28.34" x 17.32" x 42.51")
<b>Processor</b>	Dual processor(s) AMD EPYC™ 9005/9004 Series Processors Up to 192C/384T
<b>GPU</b>	Max GPU Count: Up to 8 double-width GPUs Supported GPU: NVIDIA PCIe: H100 NVL, H200 NVL (141GB), L40S CPU-GPU Interconnect: Direct Attached GPU-GPU Interconnect: NVIDIA® NVLink® Bridge (optional), AMD Infinity Fabric™ Link (optional)
<b>System Memory</b>	Slot Count: 24 DIMM slots Max Memory (1DPC): Up to 9TB 6000MT/s ECC DDR5 RDIMM
<b>Drive Bays Configuration</b>	Default: Total 6 bays <ul style="list-style-type: none"> <li>• 2 front hot-swap 2.5" SATA drive bays</li> <li>• 4 front hot-swap 2.5" NVMe drive bays</li> </ul> M.2: 1 M.2 PCIe 3.0 x4 NVMe slot (M-key)
<b>Expansion Slots</b>	Default <ul style="list-style-type: none"> <li>• 9 PCIe 5.0 x16 FHFL slots</li> </ul>
<b>On-Board Devices</b>	SATA: SATA (6Gbps) Chipset: System on Chip Network Connectivity: 2 RJ45 10GbE
<b>Input / Output</b>	LAN: 1 RJ45 1 GbE Dedicated BMC LAN port 2 RJ45 10 GBASE-T LAN ports USB: 2 ports(rear) Video: 1 VGA port



System Cooling	Fans: 10 heavy duty fans with optimal fan speed control
Power Supply	6x 2700W Redundant (3 + 3) Titanium Level (96%) power supplies
System BIOS	BIOS Type: AMI 64MB SPI Flash EEPROM
Management	SuperCloud Composer®; Supermicro Server Manager (SSM); Supermicro Update Manager (SUM); Super Diagnostics Offline (SDO); Supermicro Thin-Agent Service (TAS); SuperServer Automation Assistant (SAA) New!
PC Health Monitoring	CPU: Monitors for CPU Cores, Chipset Voltages, Memory 7 +1 Phase-switching voltage regulator FAN: Fans with tachometer monitoring Status monitor for speed control Pulse Width Modulated (PWM) fan connectors Temperature: Monitoring for CPU and chassis environment Thermal Control for fan connectors
Dimensions and Weight	Weight: Gross Weight: 100 lbs (45.3 kg) Net Weight: 65.5 lbs (29.7 kg) Available Color: Black Front & Silver Body
Operating Environment	Operating Temperature: 10°C to 35°C (50°F to 95°F) Non-operating Temperature: -40°C to 60°C (-40°F to 140°F) Operating Relative Humidity: 8% to 90% (non-condensing) Non-operating Relative Humidity: 5% to 95% (non-condensing)
Motherboard	<a href="#">Super H14DSG-O-CPU</a>
Chassis	<b>CSE-528G2TS-R000NDP</b>