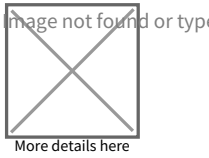


Embedded SuperServer SYS-E101-14AM-E

Compact fanless embedded system with 8-core CPU



Key Applications

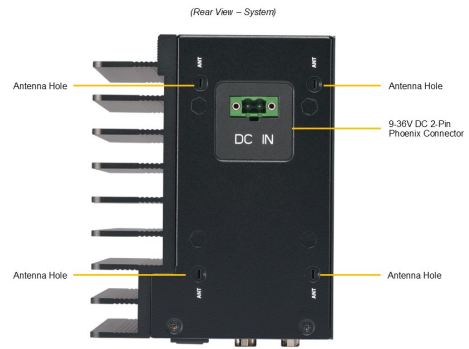
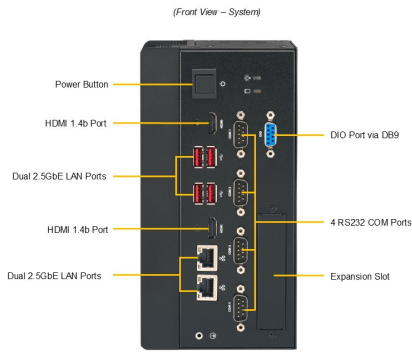
Industrial / Automation, Healthcare, Digital Signage Kiosk, Interactive info system, Retail,

Key Features

- Fanless DIN Rail Mounted System
Fanless Embedded chassis with 4.96" (126mm) depth;
- Intel® Atom® x7433RE up to 9W TDP;
- 1 DIMM supporting up to 16 GB of Non-ECC DDR5 SO-DIMM with speeds up to 4800 MT/s;
- 2 RJ45 2.5GbE;
- 2.5" SATA SSD;
- 4 USB 3.2; 2 HDMI 1.4; 4 COM ports (COM1/2 RS232/422/485 + COM3/4 RS232); 1 SMBUS 8-bit GPIO;



Form Factor	Fanless Embedded Enclosure: 194 x 115 x 126mm (7.64" x 4.52" x 4.96") Package: 690 x 305 x 320mm (27.17" x 12.01" x 12.6")
Processor	Intel® Atom® x7433RE Up to 4C/4T; Up to 6MB Cache
System Memory	Slot Count: 1 DIMM slots/1 Channels Max Memory (1DPC): Up to 16GB 4800MT/s non-ECC DDR5 SO-DIMM
Drive Bays Configuration	1 M.2 PCIe 3.0 x1 SATA slot (B-key 2242/2280; USB 3.0) 1 M.2 PCIe 3.0 x1 NVMe slot (M-key 2242/2280)
Expansion Slots	1 M.2 slot (E-key 2230(default)) 1 M.2 PCIe 3.0 x1 SATA slot (M-key 2242/2280) 1 M.2 PCIe 3.0 x1 SATA slot (B-key 2242/2280/3042/3052)
On-Board Devices	Chipset: System on Chip Network Connectivity: 2 RJ45 2.5GbE with Intel® I226-IT
Input / Output	LAN: 2 RJ45 2.5 GbE LAN ports (Intel® I226) USB: 2 USB 2.0 Type-A ports(rear) 4 USB 3.2 Gen2 Type-A ports(Front) Video: 2 HDMI 1.4 ports(Front) Serial: 2 COM RS232 ports(Front) 2 COM RS232/RS422/RS485 ports(Front)



System Cooling	Fans: N/A
System BIOS	BIOS Type: AMI 256MB SPI Flash EEPROM
Management	Supermicro SuperDoctor® 5 (SD5)
Dimensions and Weight	Weight: Gross Weight: 4.3 lbs (1.95 kg) Net Weight: 3.7 lbs (1.68 kg) Available Color: Black
Operating Environment	RoHS Compliant Operating Temperature: -40°C to 55°C (-4°F to 131°F) with 0.7 m/s airflow Non-operating Temperature: -40°C to 60°C (-40°F to 140°F) Operating Relative Humidity: 8% to 80% (non-condensing) Non-operating Relative Humidity: 8% to 90% (non-condensing)
Motherboard	Super A4SAN-E-WOHS
Chassis	CSE-E101-IA3