

IoT SuperServer SYS-212B-FN4TP

X14 2U Short-depth Front I/O System with 4x 10G ports, 2x 2.5" NVMe and redundant AC/DC PSU



Key Applications

5G Core and Edge, AI Inference and Machine Learning, Network Function Virtualization, Cloud Computing,

Key Features

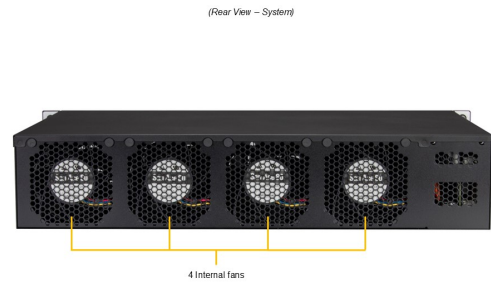
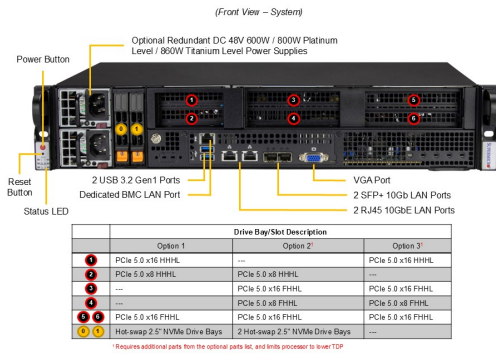
- Design with compliance to NEBS-Level 3;
- Single Intel® Xeon® 6700/6500 series processors with P-cores or 6700 series processors with E-cores;
- Up to 2TB ECC RDIMM DDR5-6400MT/s or up to 512GB MRDIMM DDR5-8000MT/s in 8 DIMM slots;
- Up to 4 PCIe 5.0 x16 (3 FHHL + 1 HHHL) & 1 PCIe 5.0 x8 FHHL expansion slots for Accelerator Add-On-Cards;
- Onboard 2x 10GbE, 2X 10G SFP+;
- Optional 2 front hot-swap 2.5" NVMe drive bays;



Form Factor	2U Rackmount Enclosure: 436.88 x 88.9 x 298.8mm (17.2" x 3.5" x 11.8") Package: 490 x 188 x 590mm (19.3" x 7.4" x 23.3")
Processor	Single Socket E2 (LGA-4710) Intel® Xeon® 6700/6500 series processors with P-cores or 6700 series processors with E-cores P-cores: Up to 86C/172T; Up to 336MB Cache E-cores: Up to 144C/144T; Up to 108MB Cache
GPU	Max GPU Count: Up to 3 single-width GPUs CPU-GPU Interconnect: PCIe 5.0 x16 CPU-to-GPU Interconnect GPU-GPU Interconnect: PCIe
System Memory	Slot Count: 8 DIMM slots Max Memory (1DPC): Up to 2TB 6400MT/s ECC DDR5 RDIMM Max Memory (1DPC): Up to 512GB 8000MT/s ECC DDR5 MRDIMM (P-core only)
Drive Bays Configuration	Default: Total 2 bays <ul style="list-style-type: none"> • 2 front hot-swap 2.5" PCIe 5.0 NVMe* drive bays (*NVMe support may require additional storage controller and/or cables) M.2: 2 M.2 PCIe 5.0 x2 NVMe slots (M-key 2280/22110)
Expansion Slots	PCI-Express (PCIe) Configuration: Default* <ul style="list-style-type: none"> • 2 PCIe 5.0 x16 FHHL slots • 1 PCIe 5.0 x16 HHHL slot • 1 PCIe 5.0 x8 HHHL slot Option A* <ul style="list-style-type: none"> • 3 PCIe 5.0 x16 FHHL slots • 1 PCIe 5.0 x8 FHHL slot • 1 PCIe 5.0 x8 HHHL slot Option B* <ul style="list-style-type: none"> • 3 PCIe 5.0 x16 FHHL slots • 1 PCIe 5.0 x8 FHHL slot • 1 PCIe 5.0 x16 HHHL slot (*Requires additional parts, please see the optional parts list for details. For more details on PCIe slot configuration options, please refer to the system callout images above.) M.2: 2 M.2 PCIe 5.0 x2 NVMe slots (M-key)
On-Board Devices	NVMe: NVMe; RAID 0/1 support(Intel® VROC RAID key required) Chipset: System on Chip Network Connectivity: 2 RJ45 10GBASE-T with Intel® X710-TM4 2 SFP+ 10GbE with Intel® X710-TM4

Input / Output

LAN: 1 RJ45 1 GbE Dedicated BMC LAN port
2 SFP+ 10 GbE LAN ports
2 RJ45 10 GbE LAN ports (Intel® X550-AT2)
USB: 2 USB 3.2 Gen1 Type-A ports(front)
Video: 1 VGA port



System Cooling	Fans: 4x 4-PIN PWM 8cm Fan(s) Air Shroud: 1 Air Shroud
Power Supply	2x 800W Redundant (1 + 1) Platinum Level (94%) power supplies
System BIOS	BIOS Type: AMI 256MB SPI Flash
Management	SuperCloud Composer®; Supermicro Server Manager (SSM); Super Diagnostics Offline (SDO); Supermicro Thin-Agent Service (TAS); SuperServer Automation Assistant (SAA) New!
PC Health Monitoring	CPU: Monitors for CPU Cores, Chipset Voltages, Memory FAN: Fans with tachometer monitoring Status monitor for speed control Pulse Width Modulated (PWM) fan connectors Temperature: Monitoring for CPU and chassis environment CPU thermal trip support, PEPI
Dimensions and Weight	Weight: Gross Weight: 22 lbs (10 kg) Net Weight: 17 lbs (7.7 kg) Available Color: Silver/Black
Operating Environment	Operating Temperature: 5°C to 45°C (41°F to 113°F) Non-operating Temperature: -40°C to 70°C (-40°F to 158°F) Operating Relative Humidity: 8% to 90% (non-condensing) Non-operating Relative Humidity: 5% to 95% (non-condensing)
Motherboard	Super X14SBM-TP4F
Chassis	CSE-211M-R000NDP