

**CONTACT INFORMATION**

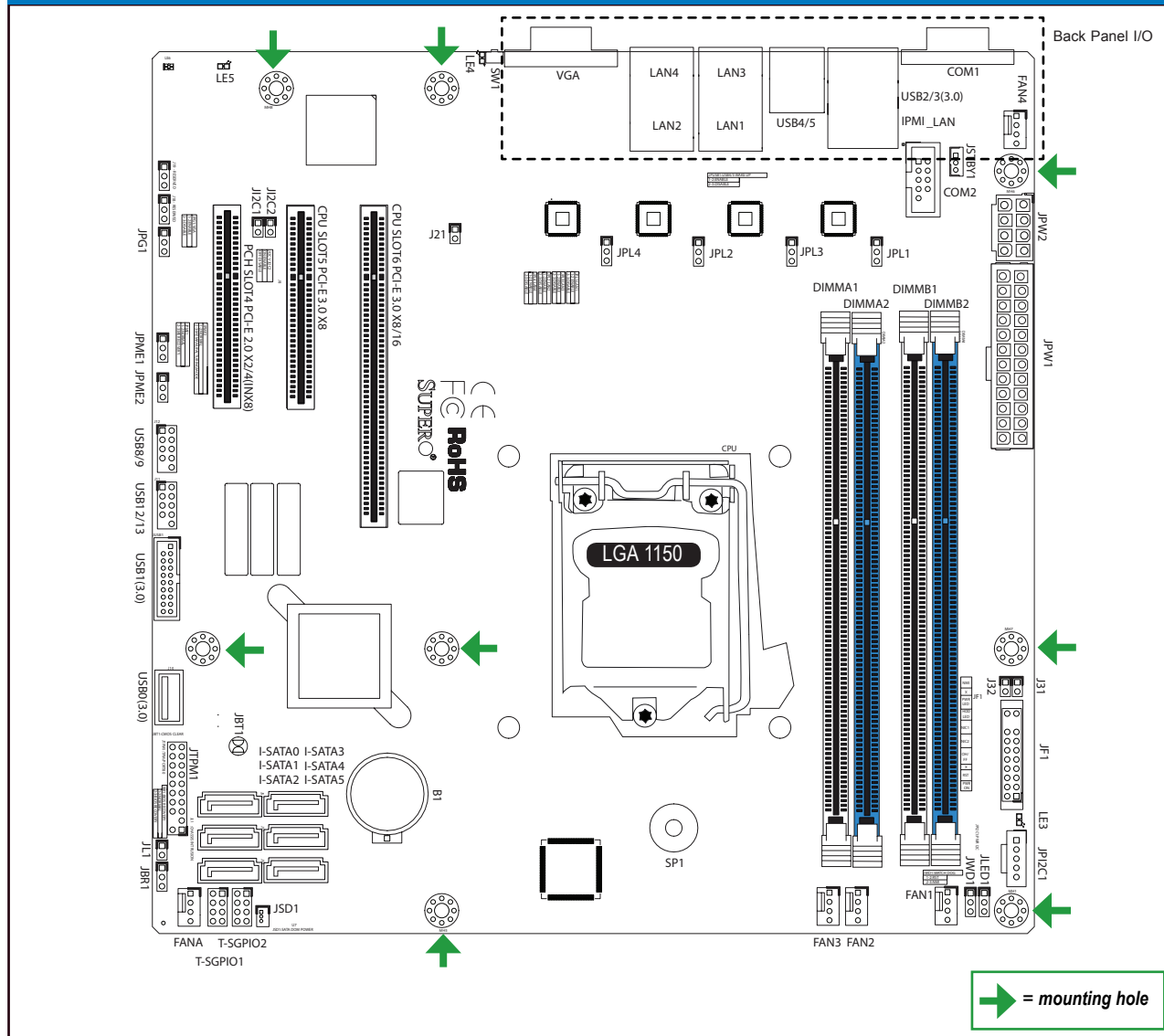
- www.supermicro.com (Email: support@supermicro.com)
- Manuals: http://www.supermicro.com/support/manuals
- Drivers & Utilities: ftp://ftp.supermicro.com
- Safety: http://www.supermicro.com/about/policies/safety\_information.cfm

**PACKAGE CONTENTS** (Applies to individual-pack only)

- One (1) Supermicro Motherboard
- Six (6) SATA Cables
- One (1) I/O Shield

- One (1) Quick Reference Guide

**Motherboard Layout and Features**



**Jumpers, Connectors and LED Indicators**

Jumpers		
JBT1	CMOS Clear	Short pin pads to reset CMOS
J1 <sup>2</sup> C1/J1 <sup>2</sup> C2	SMB to PCI Slots	Off (Disabled)
JPL1/JPL2	LAN1/LAN2 Enable	Pins 1-2 (Enabled)
JPL3/JPL4	LAN3/LAN4 Enable (-LN4F only)	Pins 1-2 (Enabled)
JPME1	Management Engine (ME) Recovery	Pins 1-2 (Normal)
JPME2	Management Engine (ME) Mode Select	Pins 1-2 (Normal)
JWD1	Watch Dog Reset Timer Enable	Pins 2-3 (NMI)
JPB1	BMC Enable/Disable	Pins 1-2 (Enabled)
JPG1	VGA Enable/Disable	Pins 1-2 (Enabled)
SW1	Unit ID (UID) LED Switch	Toggle On or Off (for UID LED)
J21	LAN Firmware Update Jumper	Open (Disabled)

Connectors	
Back Panel I/O	See Back Panel I/O Connectors, below right
COM2	COM2 Port Header
Fan A, Fan1~Fan5	System/CPU Fan Headers (Fan1: CPU Fan)
JL1	Chassis Intrusion Header
JPW1	24-pin ATX Main Power Connector (Required)
JPW2	+12V 8-pin CPU power Connector (Required)
JSD1	SATA DOM (Device_On_Module) Power Connector
JSTBY1	Standby Power Header
JTPM1	Trusted Platform Module/Port 80 Connector
SP1	Internal Speaker/Buzzer
I-SATA 0~I-SATA5	Serial ATA Ports 0~3 (6Gb/sec), Ports 4/5 (3Gb/sec) (X10SLM+ series only) Serial ATA Ports 0/1 (6Gb/sec), Ports 3~5 (3Gb/sec) (X10SLL+-F only)
T-SGPIO 1/2	Serial_Link General Purpose I/O Connection Headers 1/2
USB 8/9, 12/13	Front Panel USB 2.0 Headers, USB Ports 8/9, 12/13
USB 1	Front Panel USB 3.0 Header, USB Port 1
USB 0	Type A USB 3.0 Connector, USB Port 0
JPI2C1	Power Supply SMBbus I2C Header
B1	Battery
JF1	Front Panel Control Header
J31	Active LED Header for LAN4
J32	Active LED Header for LAN3
JLED1	Onboard Power LED Header
PCH Slot 4	PCI-E 2.0 x2 (in x8) Expansion Slot (-LN4F only) PCI-E 2.0 x4 (in x8) Expansion Slot (-F only)
CPU Slot 5	PCI-E 3.0 x8 Expansion Slot (-F only)
CPU Slot 6	PCI-E 3.0 x16 Expansion Slot (-LN4F only) PCI-E 3.0 x8 (in x16) Expansion Slot (-F only)

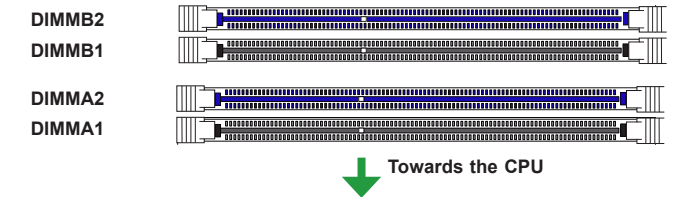
LED Indicators			
LE3	Power LED	Green: Solid on	Power On
LE4	Unit ID (UID) LED	Blue: On	UID Switch On
LE5	BMC Heartbeat	Green: Blinking	BMC On/Normal

**Memory Support**

The X10SLM+/X10-SLL+ motherboard series supports up to 32GB of Unbuffered (UDIMM) ECC DDR3 1600/1333 MHz DIMMs in 4 memory slots. Populating these DIMM modules with a pair of memory modules of the same type and same size will result in interleaved memory, which will improve memory performance.

**Note:** For memory optimization, use only DIMM modules that have been validated by Supermicro. For the latest memory updates, please refer to our website at <http://www.supermicro.com/products/motherboard>.

**DIMM Memory Installation**



**Memory Population Guidelines**

When installing memory modules, the DIMM slots should be populated in the following order: DIMMA2, DIMMB2, then DIMMA1, DIMMB1.

- Always use DDR3 DIMM modules of the same size, type and speed.
- Mixed DIMM speeds can be installed. However, all DIMMs will run at the speed of the slowest DIMM.

**Recommended Population (Balanced)**

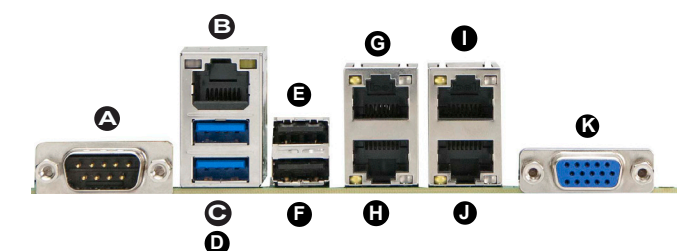
DIMMA2	DIMMB2	DIMMA1	DIMMB1	Total System Memory
2GB	2GB			4GB
2GB	2GB	2GB	2GB	8GB
4GB	4GB			8GB
4GB	4GB	4GB	4GB	16GB
8GB	8GB			16GB
8GB	8GB	8GB	8GB	32GB

**Note:** Up to 32GB of memory are supported. See chapter 2 of the User Manual for complete memory population information.

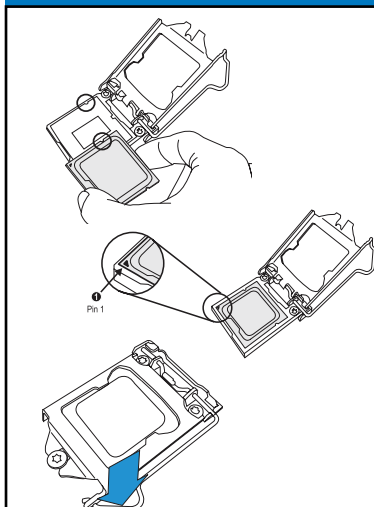
**Back Panel I/O Connectors**

A. COM1	G. Gb LAN3**
B. IPMI Port	H. Gb LAN1
C. USB 2 (3.0)*	I. Gb LAN4**
D. USB 3 (3.0)*	J. Gb LAN2
E. USB 4 (2.0)	K. VGA Port
F. USB 5 (2.0)	

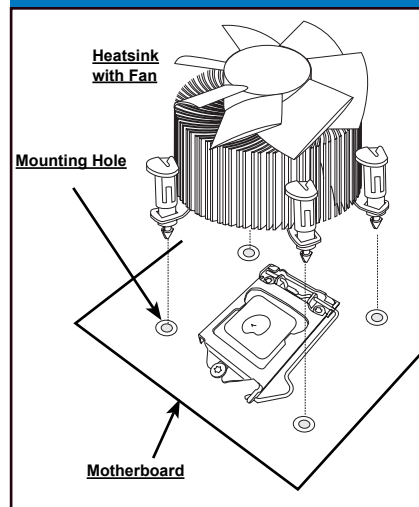
\*USB 3.0 is supported on X10SLM+ series, while USB 2.0 is supported on the X10SLL+ series. \*\* Four (4) total LAN ports are supported on the X10SLM+-LN4F motherboard only.



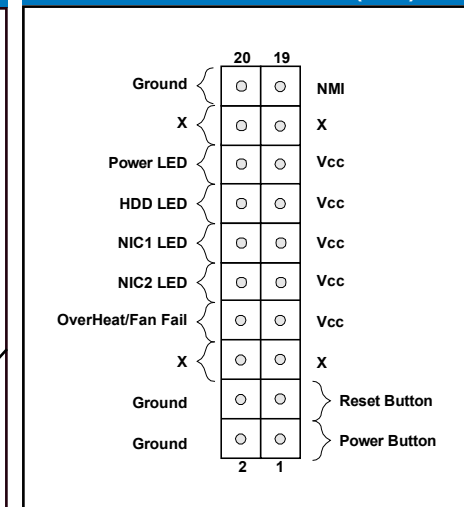
**CPU Installation**



**Heatsink Installation**



**Front Panel Control (JF1)**



**Note:** Graphics shown in this quick reference guide are for illustration only. Your components may or may not look exactly the same as drawings shown in this guide.

**Note:** Refer to Chapter 2 of the User Manual for detailed information on jumpers, connectors, and LED indicators.

**Note:** Refer to Chapter 2 of the User Manual for detailed information on memory support and CPU/motherboard installation instructions.