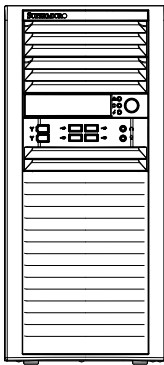
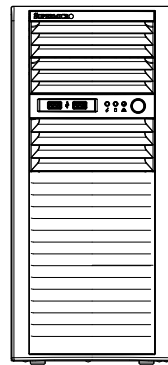




## SC732 CHASSIS SERIES



SC732D



SC732i

### SC732D4F-903B

SC732D4-903B

SC732D3-903B

SC732D2-903B

SC732D4F-865B

SC732D4-865B

SC732D2-865B

SC732i-865B

SC732D4F-500B

SC732D4-500B

SC732D2-500B

SC732i-500B

SC732i-R500B

## USER'S MANUAL

The information in this User's Manual has been carefully reviewed and is believed to be accurate. The vendor assumes no responsibility for any inaccuracies that may be contained in this document, makes no commitment to update or to keep current the information in this manual, or to notify any person or organization of the updates. **Please Note: For the most up-to-date version of this manual, please see our web site at [www.supermicro.com](http://www.supermicro.com).**

Super Micro Computer, Inc. ("Supermicro") reserves the right to make changes to the product described in this manual at any time and without notice. This product, including software and documentation, is the property of Supermicro and/or its licensors, and is supplied only under a license. Any use or reproduction of this product is not allowed, except as expressly permitted by the terms of said license.

IN NO EVENT WILL SUPERMICRO BE LIABLE FOR DIRECT, INDIRECT, SPECIAL, INCIDENTAL, SPECULATIVE OR CONSEQUENTIAL DAMAGES ARISING FROM THE USE OR INABILITY TO USE THIS PRODUCT OR DOCUMENTATION, EVEN IF ADVISED OF THE POSSIBILITY OF SUCH DAMAGES. IN PARTICULAR, SUPERMICRO SHALL NOT HAVE LIABILITY FOR ANY HARDWARE, SOFTWARE, OR DATA STORED OR USED WITH THE PRODUCT, INCLUDING THE COSTS OF REPAIRING, REPLACING, INTEGRATING, INSTALLING OR RECOVERING SUCH HARDWARE, SOFTWARE, OR DATA.

Any disputes arising between manufacturer and customer shall be governed by the laws of Santa Clara County in the State of California, USA. The State of California, County of Santa Clara shall be the exclusive venue for the resolution of any such disputes. Super Micro's total liability for all claims will not exceed the price paid for the hardware product.

California Best Management Practices Regulations for Perchlorate Materials: This Perchlorate warning applies only to products containing CR (Manganese Dioxide) Lithium coin cells. "Perchlorate Material-special handling may apply. See [www.dtsc.ca.gov/hazardouswaste/perchlorate](http://www.dtsc.ca.gov/hazardouswaste/perchlorate)"

---

**WARNING: Handling of lead solder materials used in this product may expose you to lead, a chemical known to the State of California to cause birth defects and other reproductive harm.**

---

Manual Revision 1.0b  
Release Date: June 16, 2015

Unless you request and receive written permission from Super Micro Computer, Inc., you may not copy any part of this document.

Information in this document is subject to change without notice. Other products and companies referred to herein are trademarks or registered trademarks of their respective companies or mark holders.

Copyright © 2011 by Super Micro Computer, Inc.  
All rights reserved.

**Printed in the United States of America**

---

# Preface

## About This Manual

This manual is written for professional system integrators and PC technicians. It provides information for the installation and use of the SC732 chassis. Installation and maintenance should be performed by experienced technicians only.

Supermicro's SC732 chassis features a unique and highly optimized design, allowing the user to install components with minimal or no use of screws or tools. The chassis is equipped with either a 500, 865, 900 or redundant 500 Watt whisper-quiet, high-efficiency power supply for superb power savings.

This manual lists compatible parts available when this document was published. Always refer to our Web site for updates on supported parts and configurations at [www.supermicro.com](http://www.supermicro.com).

## **Manual Organization**

### **Chapter 1 Introduction**

The first chapter provides a description of the main components included with this chassis and describes the main features of the SC732 chassis. This chapter also includes contact information.

### **Chapter 2 Standardized Warning Statements for AC Systems**

This section lists warnings, precautions, and system safety. It is recommended that you thoroughly familiarize yourself with the chassis safety precautions before installing and servicing this chassis.

### **Chapter 3 System Interface**

Refer to this chapter for details on the system interface, which includes the functions and information provided by the control panel on the chassis as well as other LEDs located throughout the system.

### **Chapter 4 Chassis Setup and Maintenance**

Follow the procedures given in this chapter when installing, removing, or reconfiguring your chassis.

### **Appendix A Power Supply Specifications**

# Table of Contents

## **Chapter 1 Introduction**

1-1	Overview .....	1-1
1-2	Where to get Replacement Components.....	1-1
1-3	Shipping Lists.....	1-1
1-4	Contacting Supermicro.....	1-3
1-5	Returning Merchandise for Service.....	1-4

## **Chapter 2 System Safety**

2-1	Overview .....	2-1
2-2	Warnings and Precautions .....	2-1
2-3	Preparing for Setup.....	2-1
2-4	Electrical Safety Precautions .....	2-1
2-5	General Safety Precautions .....	2-2
2-6	System Safety.....	2-3

## **Chapter 3 System Interface**

3-1	Overview .....	3-1
3-2	Control Panel Buttons.....	3-3
3-3	Communication Panel Components.....	3-3
3-4	Control Panel LEDs .....	3-4

## **Chapter 4 Chassis Setup and Maintenance**

4-1	Overview .....	4-1
4-2	Removing the Chassis Side Covers .....	4-2
4-3	Rotating the Hard Drive Cage.....	4-3
4-4	Removing and Installing 3.5" Hard Drives.....	4-4
4-5	Removing and Installing 2.5" Hard Drives (Optional).....	4-7
4-6	Installing the I/O Shield and Motherboard .....	4-9
	I/O Shield .....	4-9
	Motherboard Installation.....	4-10
4-7	Installing a 3.5" Device (Optional) .....	4-11
4-8	Installing Expansion Cards .....	4-12
	Expansion Card and PCI Slot Setup .....	4-12
	Full-Height, Full-Length Expansion Card Setup .....	4-13
4-9	Installing the System Fans.....	4-14
4-10	Installing the Front Bezel .....	4-16
4-11	Power Supply .....	4-17

## **Appendix A Power Supply Specifications**

## Notes

# Chapter 1

## Introduction

### 1-1 Overview

Supermicro's SC732 chassis features a unique and highly-optimized design, allowing most configuration of the chassis to be accomplished without tools or screws. The chassis is equipped with a high-efficiency power supply and high-performance fans provide ample optimized cooling. Four 3.5" HDD drive bays and four optional 2.5" HDD drive bays offer maximum storage capacity.

### 1-2 Where to get Replacement Components

Although not frequently, you may need replacement parts for your system. To ensure the highest level of professional service and technical support, we strongly recommend purchasing exclusively from our Supermicro Authorized Distributors/System Integrators/Resellers. A list of Supermicro Authorized Distributors/System Integrators/Reseller can be found at: <http://www.supermicro.com>. Click the Where to Buy link.

### 1-3 Shipping Lists

Please visit the following link for the latest shipping lists and part numbers for your particular chassis model <http://www.supermicro.com/products/chassis/tower/?chs=732>

<b>PWS-903-PQ</b>			
<b>Model</b>	<b>HDD</b>	<b>PCI Slots</b>	<b>Power Supply</b>
SC732D4F-903B SC732D4-903B SC732D3-903B SC732D2-903B	4x 3.5" 4x 2.5" (Optional)	7x FF	900W (Gold)

<b>PWS-865-PQ</b>			
<b>Model</b>	<b>HDD</b>	<b>PCI Slots</b>	<b>Power Supply</b>
SC732D4F-865B SC732D4-865B SC732D2-865B SC732i-865B	4x 3.5" 4x 2.5" (Optional)	7x FF	865W High-efficiency

<b>PWS-502-PQ</b>			
<b>Model</b>	<b>HDD</b>	<b>PCI Slots</b>	<b>Power Supply</b>
SC732D4F-500B SC732D4-500B SC732D2-500B SC732i-500B	4x 3.5" 4x 2.5" (Optional)	7x FF	500W High-efficiency

<b>PWS-503R-PQ</b>			
<b>Model</b>	<b>HDD</b>	<b>PCI Slots</b>	<b>Power Supply</b>
SC732i-R500B	4x 3.5" 4x 2.5" (Optional)	7x FF	Redundant 500W High-efficiency



## 1-4 Contacting Supermicro

### Headquarters

Address: Super Micro Computer, Inc.  
980 Rock Ave.  
San Jose, CA 95131 U.S.A.

Tel: +1 (408) 503-8000

Fax: +1 (408) 503-8008

Email: [marketing@supermicro.com](mailto:marketing@supermicro.com) (General Information)  
[support@supermicro.com](mailto:support@supermicro.com) (Technical Support)

Website: [www.supermicro.com](http://www.supermicro.com)

### Europe

Address: Super Micro Computer B.V.  
Het Sterrenbeeld 28, 5215 ML  
's-Hertogenbosch, The Netherlands

Tel: +31 (0) 73-6400390

Fax: +31 (0) 73-6416525

Email: [sales@supermicro.nl](mailto:sales@supermicro.nl) (General Information)  
[support@supermicro.nl](mailto:support@supermicro.nl) (Technical Support)  
[rma@supermicro.nl](mailto:rma@supermicro.nl) (Customer Support)

Website: [www.supermicro.nl](http://www.supermicro.nl)

### Asia-Pacific

Address: Super Micro Computer, Inc.  
3F, No. 150, Jian 1st Rd.  
Zhonghe Dist., New Taipei City 235  
Taiwan (R.O.C)

Tel: +886-(2) 8226-3990

Fax: +886-(2) 8226-3992

Email: [support@supermicro.com.tw](mailto:support@supermicro.com.tw)

Website: [www.supermicro.com.tw](http://www.supermicro.com.tw)

## 1-5 Returning Merchandise for Service

A receipt or copy of your invoice marked with the date of purchase is required before any warranty service will be rendered. You can obtain service by calling your vendor for a Returned Merchandise Authorization (RMA) number. When returning to the manufacturer, the RMA number should be prominently displayed on the outside of the shipping carton, and mailed prepaid or hand-carried. Shipping and handling charges will be applied for all orders that must be mailed when service is complete.

For faster service, RMA authorizations may be requested online (<http://www.supermicro.com/support/rma/>).

Whenever possible, repack the chassis in the original Supermicro carton, using the original packaging material. If these are no longer available, be sure to pack the chassis securely, using packaging material to surround the chassis so that it does not shift within the carton and become damaged during shipping.

This warranty only covers normal consumer use and does not cover damages incurred in shipping or from failure due to the alteration, misuse, abuse or improper maintenance of products.

During the warranty period, contact your distributor first for any product problems.

## Chapter 2

# Standardized Warning Statements for AC Systems

## 2-1 About Standardized Warning Statements

The following statements are industry standard warnings, provided to warn the user of situations which have the potential for bodily injury. Should you have questions or experience difficulty, contact Supermicro's Technical Support department for assistance. Only certified technicians should attempt to install or configure components.

Read this appendix in its entirety before installing or configuring components in the Supermicro chassis.

These warnings may also be found on our web site at [http://www.supermicro.com/about/policies/safety\\_information.cfm](http://www.supermicro.com/about/policies/safety_information.cfm).

### Warning Definition



#### Warning!

This warning symbol means danger. You are in a situation that could cause bodily injury. Before you work on any equipment, be aware of the hazards involved with electrical circuitry and be familiar with standard practices for preventing accidents.

#### 警告の定義

この警告サインは危険を意味します。

人身事故につながる可能性がありますので、いずれの機器でも動作させる前に、電気回路に含まれる危険性に注意して、標準的な事故防止策に精通して下さい。

此警告符号代表危險。

您正处于可能受到严重伤害的工作环境中。在您使用设备开始工作之前，必须充分意识到触电的危险，并熟练掌握防止事故发生的标准工作程序。请根据每项警告结尾的声明号码找到此设备的安全性警告说明的翻译文本。

此警告符號代表危險。

您正處於可能身體可能會受損傷的工作環境中。在您使用任何設備之前，請注意觸電的危險，並且要熟悉預防事故發生的標準工作程序。請依照每一注意事項後的號碼找到相關的翻譯說明內容。

## Warnung

### WICHTIGE SICHERHEITSHINWEISE

Dieses Warnsymbol bedeutet Gefahr. Sie befinden sich in einer Situation, die zu Verletzungen führen kann. Machen Sie sich vor der Arbeit mit Geräten mit den Gefahren elektrischer Schaltungen und den üblichen Verfahren zur Vorbeugung vor Unfällen vertraut. Suchen Sie mit der am Ende jeder Warnung angegebenen Anweisungsnummer nach der jeweiligen Übersetzung in den übersetzten Sicherheitshinweisen, die zusammen mit diesem Gerät ausgeliefert wurden.

BEWAHREN SIE DIESE HINWEISE GUT AUF.

### INSTRUCCIONES IMPORTANTES DE SEGURIDAD

Este símbolo de aviso indica peligro. Existe riesgo para su integridad física. Antes de manipular cualquier equipo, considere los riesgos de la corriente eléctrica y familiarícese con los procedimientos estándar de prevención de accidentes. Al final de cada advertencia encontrará el número que le ayudará a encontrar el texto traducido en el apartado de traducciones que acompaña a este dispositivo.

GUARDE ESTAS INSTRUCCIONES.

### IMPORTANTES INFORMATIONS DE SÉCURITÉ

Ce symbole d'avertissement indique un danger. Vous vous trouvez dans une situation pouvant entraîner des blessures ou des dommages corporels. Avant de travailler sur un équipement, soyez conscient des dangers liés aux circuits électriques et familiarisez-vous avec les procédures couramment utilisées pour éviter les accidents. Pour prendre connaissance des traductions des avertissements figurant dans les consignes de sécurité traduites qui accompagnent cet appareil, référez-vous au numéro de l'instruction situé à la fin de chaque avertissement.

CONSERVEZ CES INFORMATIONS.

## **תקנת הצהרות אזהרה**

הצהרות הבאות הן אזהרות על פי תקני התעשייה, על מנת להזהיר את המשתמש מפני חבלה פיזית אפשרית. במידה ויש שאלות או היתקלות בבעיה כלשהי, יש ליצור קשר עם מחלקת תמיכה טכנית של סופרמיקרו. טכנאים מוסמכים בלבד רשאים להתקין או להגדיר את הרכיבים.

יש לקרוא את הנספח במלוואו לפני התקנת או הגדרת הרכיבים במארוזי סופרמיקרו.

تحذير! هذا الرمز يعني خطر انك في حالة يمكن أن تتسبب في اصابة جسدية .  
قبل أن تعمل على أي معدات، كن على علم بالمخاطر الناجمة عن الدوائر  
الكهربائية  
وكن على دراية بالممارسات الوقائية لمنع وقوع أي حوادث  
استخدم رقم البيان المنصوص في نهاية كل تحذير للعثور ترجمتها

안전을 위한 주의사항

경고!

이 경고 기호는 위험이 있음을 알려 줍니다. 작업자의 신체에 부상을 야기 할 수 있는 상태에 있게 됩니다. 모든 장비에 대한 작업을 수행하기 전에 전기회로와 관련된 위험요소들을 확인하시고 사전에 사고를 방지할 수 있도록 표준 작업절차를 준수해 주시기 바랍니다.

해당 번역문을 찾기 위해 각 경고의 마지막 부분에 제공된 경고문 번호를 참조하십시오

#### BELANGRIJKE VEILIGHEIDSINSTRUCTIES

Dit waarschuwings symbool betekent gevaar. U verkeert in een situatie die lichamelijk letsel kan veroorzaken. Voordat u aan enige apparatuur gaat werken, dient u zich bewust te zijn van de bij een elektrische installatie betrokken risico's en dient u op de hoogte te zijn van de standaard procedures om ongelukken te voorkomen. Gebruik de nummers aan het eind van elke waarschuwing om deze te herleiden naar de desbetreffende locatie.

BEWAAR DEZE INSTRUCTIES

## Installation Instructions



### Warning!

Read the installation instructions before connecting the system to the power source.

設置手順書

システムを電源に接続する前に、設置手順書をお読み下さい。

警告

将此系统连接电源前，请先阅读安装说明。

警告

將系統與電源連接前，請先閱讀安裝說明。

Warnung

Vor dem Anschließen des Systems an die Stromquelle die Installationsanweisungen lesen.

¡Advertencia!

Lea las instrucciones de instalación antes de conectar el sistema a la red de alimentación.

Attention

Avant de brancher le système sur la source d'alimentation, consulter les directives d'installation.

יש לקרוא את הוראות התקנה לפני חיבור המערכת למקור מתח.

اقر إرشادات التركيب قبل توصيل النظام إلى مصدر للطاقة

시스템을 전원에 연결하기 전에 설치 안내를 읽어주십시오.

Waarschuwing

Raadpleeg de installatie-instructies voordat u het systeem op de voedingsbron aansluit.

## Circuit Breaker



### Warning!

This product relies on the building's installation for short-circuit (overcurrent) protection. Ensure that the protective device is rated not greater than: 250 V, 20 A.

サーキット・ブレーカー

この製品は、短絡(過電流)保護装置がある建物での設置を前提としています。

保護装置の定格が250 V、20 Aを超えないことを確認下さい。

### 警告

此产品的短路(过载电流)保护由建筑物的供电系统提供,确保短路保护设备的额定电流不大于250V,20A。

### 警告

此产品的短路(过载电流)保护由建筑物的供电系统提供,确保短路保护设备的额定电流不大于250V,20A。

### Warnung

Dieses Produkt ist darauf angewiesen, dass im Gebäude ein Kurzschluss- bzw. Überstromschutz installiert ist. Stellen Sie sicher, dass der Nennwert der Schutzvorrichtung nicht mehr als: 250 V, 20 A beträgt.

### ¡Advertencia!

Este equipo utiliza el sistema de protección contra cortocircuitos (o sobrecorrientes) del edificio. Asegúrese de que el dispositivo de protección no sea superior a: 250 V, 20 A.

### Attention

Pour ce qui est de la protection contre les courts-circuits (surtension), ce produit dépend de l'installation électrique du local. Vérifiez que le courant nominal du dispositif de protection n'est pas supérieur à :250 V, 20 A.

מוצר זה מסתמך על הגנה המותקנת במבנים למניעת קצר חשמלי. יש לוודא כי המכשיר המגן מפני הקצר החשמלי הוא לא יותר מ-250 V, 20 A

هذا المنتج يعتمد على معدات الحماية من الدوائر القصيرة التي تم تثبيتها في المبنى

تأكد من أن تقييم الجهاز الوقائي ليس أكثر من: 20A, 250V

경고!

이 제품은 전원의 단락(과전류)방지에 대해서 전적으로 건물의 관련 설비에 의존합니다. 보호장치의 정격이 반드시 250V(볼트), 20A(암페어)를 초과하지 않도록 해야 합니다.

#### Waarschuwing

Dit product is afhankelijk van de kortsluitbeveiliging (overspanning) van uw elektrische installatie. Controleer of het beveiligde apparaat niet groter gedimensioneerd is dan 220V, 20A.

### Power Disconnection Warning



#### Warning!

The system must be disconnected from all sources of power and the power cord removed from the power supply module(s) before accessing the chassis interior to install or remove system components.

#### 電源切斷の警告

システムコンポーネントの取り付けまたは取り外しのために、シャーシ内部にアクセスするには、

システムの電源はすべてのソースから切斷され、電源コードは電源モジュールから取り外す必要があります。

#### 警告

在你打开机箱并安装或移除内部器件前，必须将系统完全断电，并移除电源线。

#### 警告

在您打開機殼安裝或移除內部元件前，必須將系統完全斷電，並移除電源線。

#### Warnung

Das System muss von allen Quellen der Energie und vom Netzanschlusskabel getrennt sein, das von den Spg.Versorgungsteilmodulen entfernt wird, bevor es auf den Chassisinnenraum zurückgreift, um Systemsbestandteile anzubringen oder zu entfernen.



¡Advertencia!

El sistema debe ser disconnected de todas las fuentes de energía y del cable eléctrico quitado de los módulos de fuente de alimentación antes de tener acceso el interior del chasis para instalar o para quitar componentes de sistema.

Attention

Le système doit être débranché de toutes les sources de puissance ainsi que de son cordon d'alimentation secteur avant d'accéder à l'intérieur du châssis pour installer ou enlever des composants de système.

**אזהרה!**

יש לנתק את המערכת מכל מקורות החשמל ויש להסיר את כבל החשמלי מהספק לפני גישה לחלק הפנימי של המארז לצורך התקנת או הסרת רכיבים.

يجب فصل النظام من جميع مصادر الطاقة وإزالة سلك الكهرباء من وحدة امداد الطاقة قبل الوصول إلى المناطق الداخلية للهيكल لتثبيت أو إزالة مكونات الجهاز

경고!

시스템에 부품들을 장착하거나 제거하기 위해서는 새시 내부에 접근하기 전에 반드시 전원 공급장치로부터 연결되어있는 모든 전원과 전기코드를 분리해주어야 합니다.

Waarschuwing

Voordat u toegang neemt tot het binnenwerk van de behuizing voor het installeren of verwijderen van systeem onderdelen, dient u alle spanningsbronnen en alle stroomkabels aangesloten op de voeding(en) van de behuizing te verwijderen

## Equipment Installation



### Warning!

Only trained and qualified personnel should be allowed to install, replace, or service this equipment.

### 機器の設置

トレーニングを受け認定された人だけがこの装置の設置、交換、またはサービスを許可されています。

### 警告

只有经过培训且具有资格的人员才能进行此设备的安装、更换和维修。

### 警告

只有經過受訓且具資格人員才可安裝、更換與維修此設備。

### Warnung

Das Installieren, Ersetzen oder Bedienen dieser Ausrüstung sollte nur geschultem, qualifiziertem Personal gestattet werden.

### ¡Advertencia!

Solamente el personal calificado debe instalar, reemplazar o utilizar este equipo.

### Attention

Il est vivement recommandé de confier l'installation, le remplacement et la maintenance de ces équipements à des personnels qualifiés et expérimentés.

### אזהרה!

צוות מוסמך בלבד רשאי להתקין, להחליף את הציוד או לתת שירות עבור הציוד.

يجب أن يسمح فقط للموظفين المؤهلين والمدربين لتثبيت واستبدال أو خدمة هذا الجهاز

### 경고!

훈련을 받고 공인된 기술자만이 이 장비의 설치, 교체 또는 서비스를 수행할 수 있습니다.

## Waarschuwing

Deze apparatuur mag alleen worden geïnstalleerd, vervangen of hersteld door geschoold en gekwalificeerd personeel.

## Restricted Area



### Warning!

This unit is intended for installation in restricted access areas. A restricted access area can be accessed only through the use of a special tool, lock and key, or other means of security. (This warning does not apply to workstations).

## アクセス制限区域

このユニットは、アクセス制限区域に設置されることを想定しています。

アクセス制限区域は、特別なツール、鍵と錠前、その他のセキュリティの手段を用いてのみ出入りが可能です。

## 警告

此部件应安装在限制进出的场所，限制进出的场所指只能通过使用特殊工具、锁和钥匙或其它安全手段进出的场所。

## 警告

此裝置僅限安裝於進出管制區域，進出管制區域係指僅能以特殊工具、鎖頭及鑰匙或其他安全方式才能進入的區域。

## Warnung

Diese Einheit ist zur Installation in Bereichen mit beschränktem Zutritt vorgesehen. Der Zutritt zu derartigen Bereichen ist nur mit einem Spezialwerkzeug, Schloss und Schlüssel oder einer sonstigen Sicherheitsvorkehrung möglich.

## ¡Advertencia!

Esta unidad ha sido diseñada para instalación en áreas de acceso restringido. Sólo puede obtenerse acceso a una de estas áreas mediante la utilización de una herramienta especial, cerradura con llave u otro medio de seguridad.

## Attention

Cet appareil doit être installée dans des zones d'accès réservés. L'accès à une zone d'accès réservé n'est possible qu'en utilisant un outil spécial, un mécanisme de verrouillage et une clé, ou tout autre moyen de sécurité.

## אזור עם גישה מוגבלת

### אזהרה!

יש להתקין את היחידה באזורים שיש בהם הגבלת גישה. הגישה ניתנת בעזרת כלי אבטחה בלבד (מפתח, מנעול וכד').

تم تخصيص هذه الوحدة لت تركيبها في مناطق محظورة .  
يمكن الوصول إلى منطقة محظورة فقط من خلال استخدام أداة خاصة،  
قفل ومفتاح أو أي وسيلة أخرى للالأمين

경고!

이 장치는 접근이 제한된 구역에 설치하도록 되어 있습니다. 특수도구, 잠금 장치 및 키, 또는 기타 보안 수단을 통해서만 접근 제한 구역에 들어갈 수 있습니다.

Waarschuwing

Dit apparaat is bedoeld voor installatie in gebieden met een beperkte toegang. Toegang tot dergelijke gebieden kunnen alleen verkregen worden door gebruik te maken van speciaal gereedschap, slot en sleutel of andere veiligheidsmaatregelen.

## Battery Handling



### Warning!

There is the danger of explosion if the battery is replaced incorrectly. Replace the battery only with the same or equivalent type recommended by the manufacturer. Dispose of used batteries according to the manufacturer's instructions

電池の取り扱い

電池交換が正しく行われなかった場合、破裂の危険性があります。交換する電池はメーカーが推奨する型、または同等のものを使用下さい。使用済電池は製造元の指示に従って処分して下さい。

警告

電池更換不當會有爆炸危險。請只使用同類電池或製造商推薦的功能相當的電池更換原有電池。請按製造商的說明處理廢舊電池。

警告

電池更換不當會有爆炸危險。請使用製造商建議之相同或功能相當的電池更換原有電池。請按照製造商的說明指示處理廢棄舊電池。

### Warnung

Bei Einsetzen einer falschen Batterie besteht Explosionsgefahr. Ersetzen Sie die Batterie nur durch den gleichen oder vom Hersteller empfohlenen Batterietyp. Entsorgen Sie die benutzten Batterien nach den Anweisungen des Herstellers.

### Attention

Danger d'explosion si la pile n'est pas remplacée correctement. Ne la remplacer que par une pile de type semblable ou équivalent, recommandée par le fabricant. Jeter les piles usagées conformément aux instructions du fabricant.

### ¡Advertencia!

Existe peligro de explosión si la batería se reemplaza de manera incorrecta. Reemplazar la batería exclusivamente con el mismo tipo o el equivalente recomendado por el fabricante. Desechar las baterías gastadas según las instrucciones del fabricante.

### **אזהרה!**

קיימת סכנת פיצוץ של הסוללה במידה והוחלפה בדרך לא תקינה. יש להחליף את הסוללה בסוג התואם מחברת יצרן מומלצת.

סילוק הסוללות המשומשות יש לבצע לפי הוראות היצרן.

هناك خطر من انفجار في حالة استبدال البطارية بطريقة غير صحيحة فعليك استبدال البطارية فقط بنفس النوع أو ما يعادلها كما أوصت به الشركة المصنعة تخلص من البطاريات المستعملة وفقا لتعليمات الشركة الصانعة

### 경고!

배터리가 올바르게 교체되지 않으면 폭발의 위험이 있습니다. 기존 배터리와 동일하거나 제조사에서 권장하는 동등한 종류의 배터리로만 교체해야 합니다. 제조사의 안내에 따라 사용된 배터리를 처리하여 주십시오.

### Waarschuwing

Er is ontploffingsgevaar indien de batterij verkeerd vervangen wordt. Vervang de batterij slechts met hetzelfde of een equivalent type die door de fabrikant aanbevolen wordt. Gebruikte batterijen dienen overeenkomstig fabrieksvoorschriften afgevoerd te worden.

## Redundant Power Supplies



### Warning!

This unit might have more than one power supply connection. All connections must be removed to de-energize the unit.

### 冗長電源装置

このユニットは複数の電源装置が接続されている場合があります。  
ユニットの電源を切るためには、すべての接続を取り外さなければなりません。

### 警告

此部件连接的电源可能不止一个，必须将所有电源断开才能停止给该部件供电。

### 警告

此装置连接的電源可能不只一個，必須切斷所有電源才能停止對該裝置的供電。

### Warnung

Dieses Gerät kann mehr als eine Stromzufuhr haben. Um sicherzustellen, dass der Einheit kein Strom zugeführt wird, müssen alle Verbindungen entfernt werden.

### ¡Advertencia!

Puede que esta unidad tenga más de una conexión para fuentes de alimentación. Para cortar por completo el suministro de energía, deben desconectarse todas las conexiones.

### Attention

Cette unité peut avoir plus d'une connexion d'alimentation. Pour supprimer toute tension et tout courant électrique de l'unité, toutes les connexions d'alimentation doivent être débranchées.

**אם קיים יותר מספק אחד**

**אזהרה!**

ליחידה יש יותר מחיבור אחד של ספק. יש להסיר את כל החיבורים על מנת לרוקן את היחידה.

قد يكون لهذا الجهاز عدة اتصالات بوحدات امداد الطاقة.  
يجب إزالة كافة الاتصالات لعزل الوحدة عن الكهرباء

경고!

이 장치에는 한 개 이상의 전원 공급 단자가 연결되어 있을 수 있습니다. 이 장치에 전원을 차단하기 위해서는 모든 연결 단자를 제거해야만 합니다.

Waarschuwing

Deze eenheid kan meer dan één stroomtoevoeraansluiting bevatten. Alle aansluitingen dienen verwijderd te worden om het apparaat stroomloos te maken.

### Backplane Voltage



**Warning!**

Hazardous voltage or energy is present on the backplane when the system is operating. Use caution when servicing.

バックプレーンの電圧

システムの稼働中は危険な電圧または電力が、バックプレーン上にかかっています。

修理する際にはご注意ください。

警告

当系統正在进行时，背板上有很危险的电压或能量，进行维修时务必小心。

警告

當系統正在進行時，背板上有危險的電壓或能量，進行維修時務必小心。

Warnung

Wenn das System in Betrieb ist, treten auf der Rückwandplatine gefährliche Spannungen oder Energien auf. Vorsicht bei der Wartung.

¡Advertencia!

Cuando el sistema está en funcionamiento, el voltaje del plano trasero es peligroso. Tenga cuidado cuando lo revise.

Attention

Lorsque le système est en fonctionnement, des tensions électriques circulent sur le fond de panier. Prendre des précautions lors de la maintenance.

## מתח בפנל האחורי

אזהרה!  
קיימת סכנת מתח בפנל האחורי בזמן תפעול המערכת. יש להיזהר במהלך  
העבודה.

هناك خطر من التيار الكهربائي أو الطاقة الموجودة على اللوحة  
عندما يكون النظام يعمل كن حذرا عند خدمة هذا الجهاز

경고!

시스템이 동작 중일 때 후면판 (Backplane)에는 위험한 전압이나 에너지가 발생  
합니다. 서비스 작업 시 주의하십시오.

Waarschuwing

Een gevaarlijke spanning of energie is aanwezig op de backplane wanneer het  
systeem in gebruik is. Voorzichtigheid is geboden tijdens het onderhoud.

## Comply with Local and National Electrical Codes



### Warning!

Installation of the equipment must comply with local and national electrical codes.

地方および国の電気規格に準拠

機器の取り付けはその地方および国の電気規格に準拠する必要があります。

警告

设备安装必须符合本地与本国电气法规。

警告

設備安裝必須符合本地與本國電氣法規。

Warnung

Die Installation der Geräte muss den Sicherheitsstandards entsprechen.

¡Advertencia!

La instalación del equipo debe cumplir con las normas de electricidad locales y  
nacionales.



Attention

L'équipement doit être installé conformément aux normes électriques nationales et locales.

**תיאום חוקי החשמל הארצי**

**אזהרה!**

התקנת הציוד חייבת להיות תואמת לחוקי החשמל המקומיים והארציים.

تركيب المعدات الكهربائية يجب أن يمتثل للقوانين المحلية والوطنية المتعلقة بالكهرباء

경고!

현 지역 및 국가의 전기 규정에 따라 장비를 설치해야 합니다.

Waarschuwing

Bij installatie van de apparatuur moet worden voldaan aan de lokale en nationale elektriciteitsvoorschriften.

**Product Disposal**



**Warning!**

Ultimate disposal of this product should be handled according to all national laws and regulations.

**製品の廃棄**

この製品を廃棄処分する場合、国の関係する全ての法律・条例に従い処理する必要があります。

**警告**

本产品的废弃处理应根据所有国家的法律和规章进行。

**警告**

本產品的廢棄處理應根據所有國家的法律和規章進行。

**Warnung**

Die Entsorgung dieses Produkts sollte gemäß allen Bestimmungen und Gesetzen des Landes erfolgen.

¡Advertencia!

Al deshacerse por completo de este producto debe seguir todas las leyes y reglamentos nacionales.

Attention

La mise au rebut ou le recyclage de ce produit sont généralement soumis à des lois et/ou directives de respect de l'environnement. Renseignez-vous auprès de l'organisme compétent.

## סילוק המוצר

אזהרה!

סילוק סופי של מוצר זה חייב להיות בהתאם להנחיות וחוקי המדינה.

عند التخلص النهائي من هذا المنتج ينبغي التعامل معه وفقا لجميع القوانين واللوائح الوطنية

경고!

이 제품은 해당 국가의 관련 법규 및 규정에 따라 폐기되어야 합니다.

Waarschuwing

De uiteindelijke verwijdering van dit product dient te geschieden in overeenstemming met alle nationale wetten en reglementen.

## Hot Swap Fan Warning



### Warning!

The fans might still be turning when you remove the fan assembly from the chassis. Keep fingers, screwdrivers, and other objects away from the openings in the fan assembly's housing.

ファン・ホットスワップの警告

シャーシから冷却ファン装置を取り外した際、ファンがまだ回転している可能性があります。ファンの開口部に、指、ドライバー、およびその他のものを近づけないで下さい。

警告

当您从机架移除风扇装置，风扇可能仍在转动。小心不要将手指、螺丝起子和其他物品太靠近风扇

**警告**

當您從機架移除風扇裝置，風扇可能仍在轉動。小心不要將手指、螺絲起子和其他物品太靠近風扇。

**Warnung**

Die Lüfter drehen sich u. U. noch, wenn die Lüfterbaugruppe aus dem Chassis genommen wird. Halten Sie Finger, Schraubendreher und andere Gegenstände von den Öffnungen des Lüftergehäuses entfernt.

**¡Advertencia!**

Los ventiladores podran dar vuelta cuando usted quite el montaje del ventilador del chasis. Mantenga los dedos, los destornilladores y todos los objetos lejos de las aberturas del ventilador

**Attention**

Il est possible que les ventilateurs soient toujours en rotation lorsque vous retirez le bloc ventilateur du châssis. Prenez garde à ce que doigts, tournevis et autres objets soient éloignés du logement du bloc ventilateur.

**אזהרה!**

כאשר מסירים את חלקי המאוורר מהמארז, יתכן והמאווררים עדיין עובדים. יש להרחיק למרחק בטוח את האצבעות וכלי עבודה שונים מהפתחים בתוך המאוורר

من الممكن أن المراوح لا تزال تدور عند إزالة كتلة المروحة من الهيكل يجب إبقاء الأصابع ومفكات البراغي وغيرها من الأشياء بعيدا عن الفتحات في كتلة المروحة.

**경고!**

새시로부터 팬 조립품을 제거할 때 팬은 여전히 회전하고 있을 수 있습니다. 팬 조립품 외관의 열려있는 부분들로부터 손가락 및 스크류드라이버, 다른 물체들이 가까이 하지 않도록 배치해 주십시오.

**Waarschuwing**

Het is mogelijk dat de ventilator nog draait tijdens het verwijderen van het ventilatorsamenstel uit het chassis. Houd uw vingers, schroevendraaiers en eventuele andere voorwerpen uit de buurt van de openingen in de ventilatorbehuizing.

## Power Cable and AC Adapter



### Warning!

When installing the product, use the provided or designated connection cables, power cables and AC adaptors. Using any other cables and adaptors could cause a malfunction or a fire. Electrical Appliance and Material Safety Law prohibits the use of UL or CSA -certified cables (that have UL/CSA shown on the code) for any other electrical devices than products designated by Supermicro only.

#### 電源コードとACアダプター

製品を設置する場合、提供または指定された接続ケーブル、電源コードとACアダプターを使用下さい。他のケーブルやアダプタを使用すると故障や火災の原因になることがあります。電気用品安全法は、ULまたはCSA認定のケーブル(UL/CSEマークがコードに表記)をSupermicroが指定する製品以外に使用することを禁止しています。

#### 警告

安裝此產品時，請使用本身提供的或指定的連接線，電源線和電源適配器。使用其它線材或適配器可能會引起故障或火災。除了Supermicro所指定的產品，電氣用品和材料安全法律規定禁止使用未經UL或CSA認證的線材。(線材上會顯示UL/CSA符號)。

#### 警告

安裝此產品時，請使用本身提供的或指定的連接線，電源線和電源適配器。使用其它線材或適配器可能會引起故障或火災。除了Supermicro所指定的產品，電氣用品和材料安全法律規定禁止使用未經UL或CSA認證的線材。(線材上會顯示UL/CSA符號)。

#### Warnung

Bei der Installation des Produkts, die zur Verfügung gestellten oder benannt Anschlusskabel, Stromkabel und Netzteile. Verwendung anderer Kabel und Adapter kann zu einer Fehlfunktion oder ein Brand entstehen. Elektrische Geräte und Material Safety Law verbietet die Verwendung von UL-oder CSA-zertifizierte Kabel, UL oder CSA auf der Code für alle anderen elektrischen Geräte als Produkte von Supermicro nur bezeichnet gezeigt haben.

#### ¡Advertencia!

Al instalar el producto, utilice los cables de conexión previstos o designados, los cables y adaptadores de CA. La utilización de otros cables y adaptadores podría ocasionar un mal funcionamiento o un incendio. Aparatos Eléctricos y la Ley de Seguridad del Material prohíbe el uso de UL o CSA cables certificados que tienen UL o CSA se muestra en el código de otros dispositivos eléctricos que los productos designados por Supermicro solamente.

## Attention

Lors de l'installation du produit, utilisez les bables de connection fournis ou désigné. L'utilisation d'autres cables et adaptateurs peut provoquer un dysfonctionnement ou un incendie. Appareils électroménagers et de loi sur la sécurité Matériel interdit l'utilisation de UL ou CSA cables certifiés qui ont UL ou CSA indiqué sur le code pour tous les autres appareils électriques que les produits désignés par Supermicro seulement.

## חשמליים ומתאמי AC

## אזהרה!

כאשר מתקינים את המוצר, יש להשתמש בכבלים, ספקים ומתאמים AC אשר נועדו וסופקו לשם כך. שימוש בכל כבל או מתאם אחר יכול לגרום לתקלה או קצר חשמלי. על פי חוקי שימוש במכשירי חשמל וחוקי בטיחות, קיים איסור להשתמש בכבלים המוסמכים ב- UL או ב- CSA (כשאר מופיע עליהם קוד של UL/CSA) עבור כל מוצר חשמלי אחר שלא צויין על ידי סופרמיקרו בלבד.

عند تركيب الجهاز يجب استخدام كابلات التوصيل، والكابلات الكهربائية ومحولات التيار المتردد التي . أن استخدام أي كابلات ومحولات أخرى يتسبب في حدوث عطل أو حريق. تم توفيرها لك مع المنتج الأجهزة الكهربائية ومواد قانون السلامة يحظر استخدام الكابلات UL أو CSA معتمدة من قبل لأي أجهزة كهربائية أخرى غير المنتجات المعينة من قبل Supermicro (التي تحمل علامة UL/CSA)

## 경고!

제품을 설치할 때에는 제공되거나 지정된 연결케이블과 전원케이블, AC 어댑터를 사용해야 합니다. 그 밖의 다른 케이블들이나 어댑터들은 고장 또는 화재의 원인이 될 수 있습니다. 전기용품안전법 (Electrical Appliance and Material Safety Law)은 슈퍼마이크로에서 지정한 제품들 외에는 그 밖의 다른 전기 장치들을 위한 UL 또는 CSA에서 인증한 케이블(전선 위에 UL/CSA가 표시)들의 사용을 금지합니다.

## Waarschuwing

Bij het installeren van het product, gebruik de meegeleverde of aangewezen kabels, stroomkabels en adapters. Het gebruik van andere kabels en adapters kan leiden tot een storing of een brand. Elektrisch apparaat en veiligheidsinformatiebladen wet verbiedt het gebruik van UL of CSA gecertificeerde kabels die UL of CSA die op de code voor andere elektrische apparaten dan de producten die door Supermicro alleen.

## Notes

## Chapter 3

# System Interface

### 3-1 Overview

There are several LEDs on the control panel to keep you constantly informed of the overall status of the system as well as the activity and health of specific components. This chapter explains the meanings of all LED indicators and the appropriate responses you may need to take. The following pages detail the features of the communication panel features of each of the SC732 chassis models.

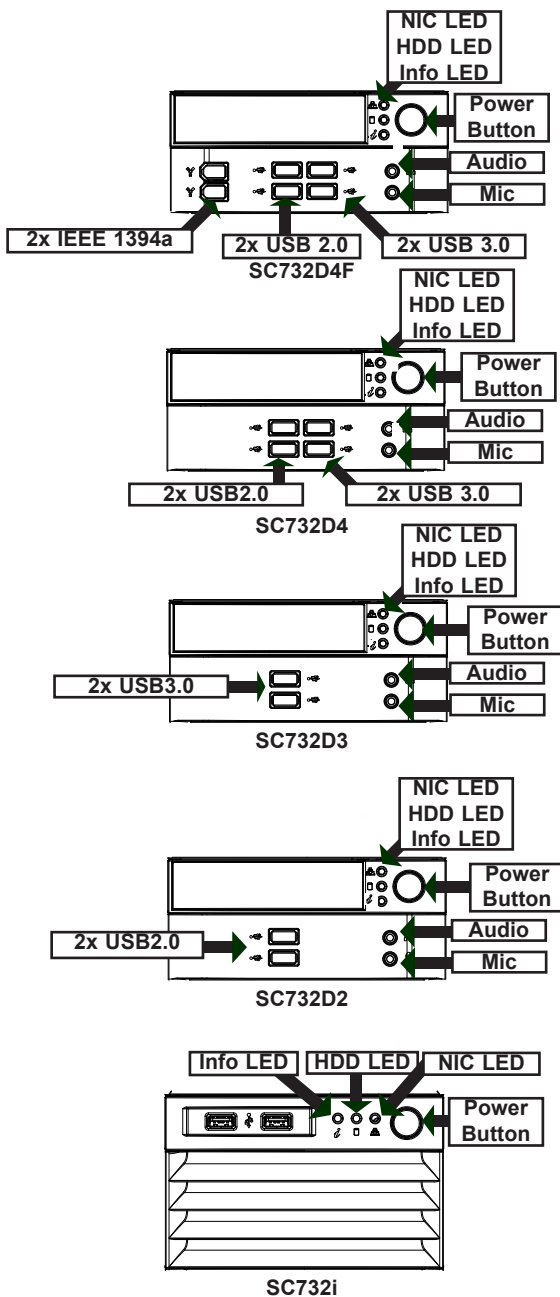


Figure 3-1: SC732 Communication Panels Listed by Chassis Model



## 3-2 Control Panel Buttons



**Power:** The main power button is used to apply or remove power from the power supply to the system. When the power is on, the power button will be lighted by a blue LED. Turning off the system power with this button will cause the blue LED to turn off and will remove the main power, but will keep standby power supplied to the system. Therefore, you must unplug system before servicing the system.

## 3-3 Communication Panel Components

The SC732 features a front communication panel allowing easy access to the chassis communication ports. The chassis models are equipped as follows:

SC732D4F model chassis:

- Two IEEE 1394a ports
- Two USB 2.0 ports
- Two USB 3.0 ports
- One audio port
- One microphone port

SC732D4 model chassis:

- Two USB 2.0 ports
- Two USB 3.0 ports
- One audio port
- One microphone port

SC732D3 model chassis:

- Two USB 3.0 ports
- One audio port
- One microphone port

SC732D2 model chassis:

- Two USB 2.0 ports
- One audio port
- One microphone port

SC732i model chassis:

- Two USB 2.0 ports

### 3-4 Control Panel LEDs

The control panel located on the front of the SC732 chassis has three LEDs. These LEDs provide you with critical information related to different parts of the system. This section explains what each LED indicates when illuminated and any corrective action you may need to take.



**NIC:** Indicates network activity when flashing.



**HDD:** Indicates activity in the SAS/SATA drive, and/or DVD-ROM drive activity when flashing.



**Information LED:** The information LED is a multi-functional LED that can provide you with important information about the system. See the table below for a description of each state of this LED and appropriate actions you may need to take.

Informational LED	
Status	Description
Solid red	An overheat condition has occurred. (This may be caused by cable congestion).
Blinking red (1Hz)	Fan failure, check for an inoperative fan.
Blinking red (0.25Hz)	Power failure, check for a non-operational power supply.
Solid blue	Local UID has been activated. Use this function to locate the server in a rack mount environment.
Blinking blue (300 msec)	Remote UID is on. Use this function to identify the server from a remote location.

# Notes

## Chapter 4

# Chassis Setup and Maintenance

### 4-1 Overview

This chapter covers the steps required to install components and perform maintenance on the chassis. Most components of the SC732 do not require tools or screws to set them up. Those components which must be secured with screws require only a Phillips screwdriver. Print this chapter to use as a reference while setting-up your chassis.

Note that due to the variety of features which are available on the front communication panels of the SC732 chassis models, the images shown of the front of the chassis may differ from the actual chassis purchased.

**Review the warnings and precautions listed in the manual before setting up or servicing this chassis. These include information in Chapter 2: Standardized Warning Statements for AC Systems and the warning/precautions listed in the setup instructions.**

## 4-2 Removing the Chassis Side Covers

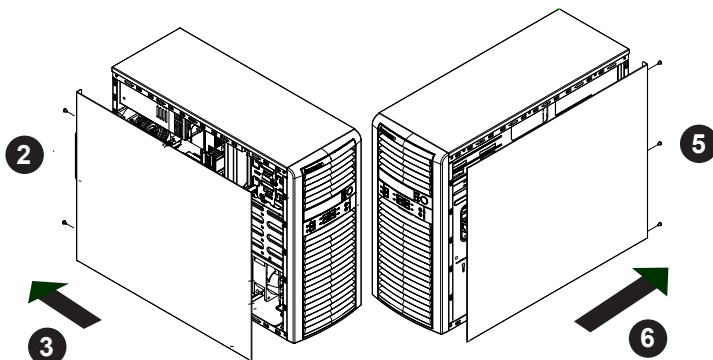


Figure 4-1. Removing the Chassis Side Covers

The SC732 features two removable side covers, allowing easy access to the chassis interior.

### *Removing the Side Covers*

1. Power down the system and remove the power cord from the rear of the power supply.
2. Remove the two screws securing the left side cover to the chassis.
3. Slide the left cover toward the rear of the chassis.
4. Lift the left cover from the chassis.
5. Remove the three screws securing the right side cover to the chassis.
6. Slide the right cover toward the rear of the chassis
7. Lift the right cover from the chassis.

**Warning:** Except for short periods of time, do NOT operate the system without the cover in place. The chassis cover must be in place to allow for proper airflow and to prevent overheating.

## 4-3 Rotating the Hard Drive Cage

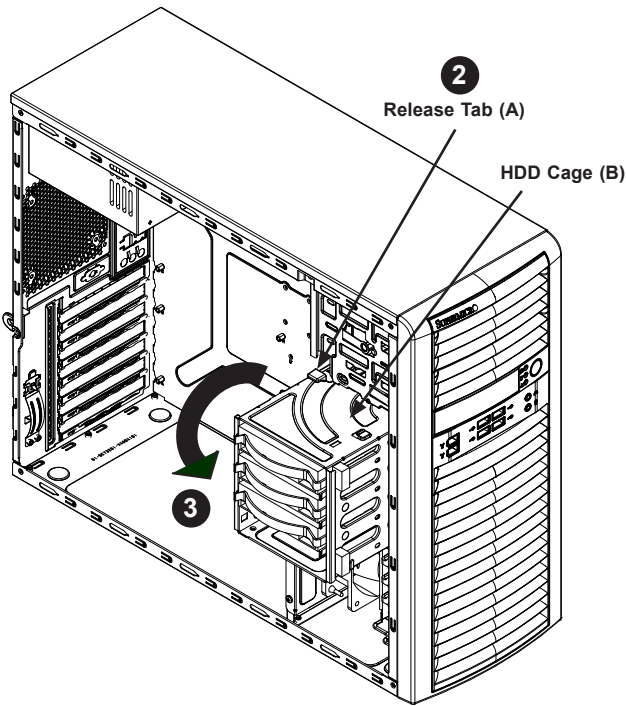


Figure 4-2. Rotating the Hard Drive Cage

In order to access and install components in the chassis interior, it is necessary to rotate the hard drive cage (B). This will provide sufficient room to install and configure the chassis components.

### *Rotating the Hard Drive Cage*

1. Power down the system and remove the power cord from the rear of the power supply. Remove the chassis side cover as described in Section 4-2.
2. Lift the release tab (A).
3. Rotate the hard disk drive cage (B) outward.

## 4-4 Removing and Installing 3.5" Hard Drives

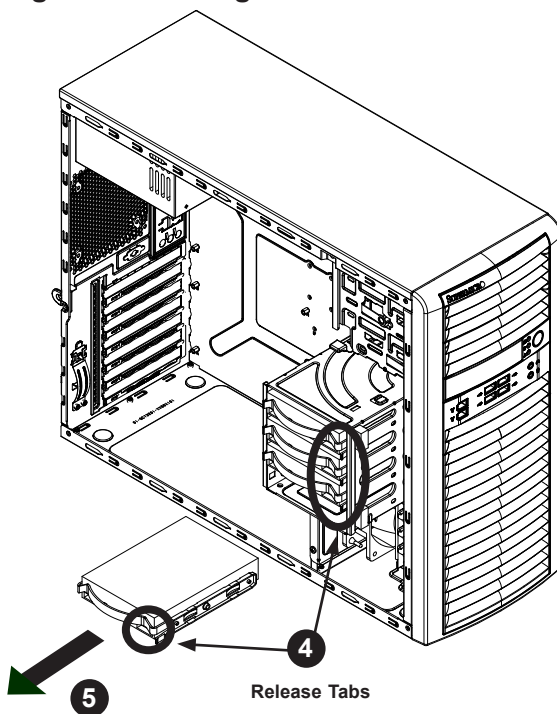


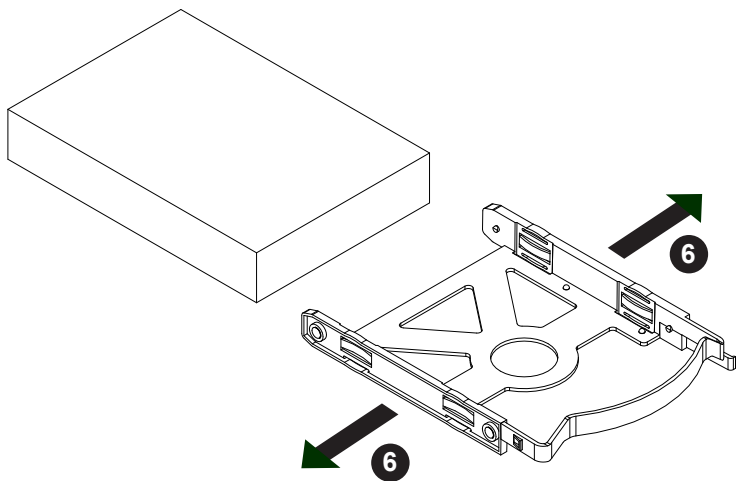
Figure 4-3. Removing the Hard Drive Carrier from the Hard Drive Cage

The SC732 chassis must be powered-down before hard drives can be removed from the hard drive carriers.

### ***Removing and Installing 3.5" Hard Drives***

1. Power down the system and remove the power cord from the rear of the power supply. Remove the chassis side cover as described in Section 4-2.
2. Rotate the hard drive cage outward 90 degrees as described in section 4-3 Rotating the Hard Drive Cage.
3. Disconnect all of the cables from the hard drive.
4. Press the release tab on the side of the hard drive carrier that is to be removed from the hard drive cage.

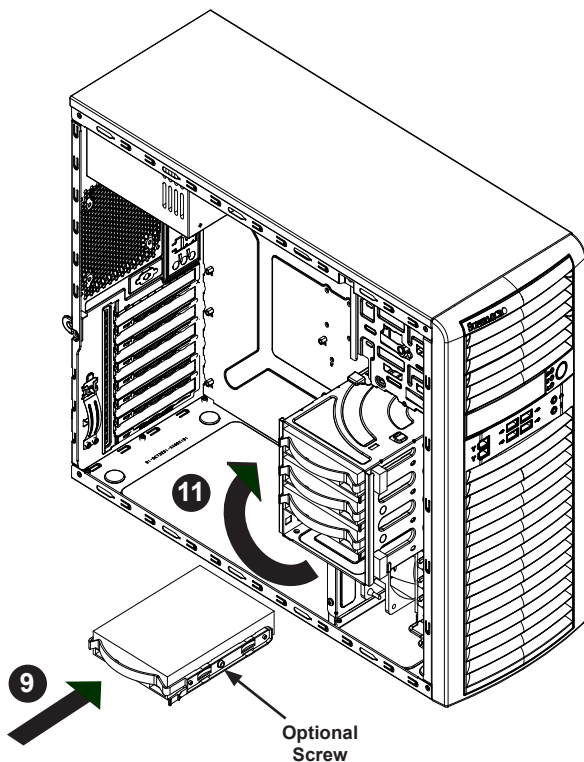




**Figure 4-4. Removing the 3.5" Hard Drive from the Hard Drive Carrier**

5. Gently slide the hard drive carrier out of the hard drive cage.
6. If a hard drive is already present, remove it by carefully pulling the sides of the hard drive carrier outward.

**Warning: Only enterprise level HDDs are recommended for use in this chassis.**



**Figure 4-5. Installing the Hard Drive Carrier into the Hard Drive Cage**

7. Remove the hard drive from the hard drive carrier.
8. Insert the new hard drive into the hard drive carrier.
9. Insert the hard drive carrier into the hard drive cage, sliding it towards the back of the the hard drive cage until it clicks into a locked position.
10. If desired, each hard drive carrier may be secured to the exterior of the hard drive cage using one optional screw.
11. Rotate the hard drive cage 90 degrees inward, returning it to the closed, operational position in the chassis.
12. Connect the related cables to the hard drives.
13. Plug the power cord back into the power module, replace the chassis cover and power-up the system.

## 4-5 Removing and Installing 2.5" Hard Drives (Optional)

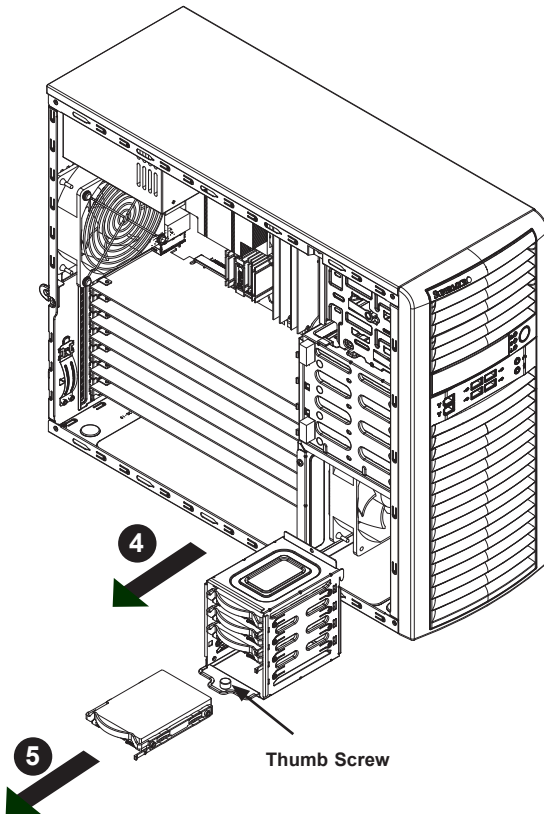
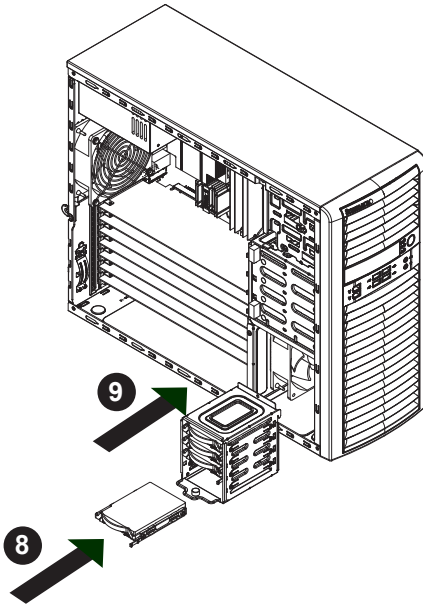


Figure 4-6. Removing the 2.5" Hard Drives

The SC732 chassis must be powered-down before hard drives can be removed from the hard drive carriers.

### ***Removing and Installing 2.5" Hard Drives***

1. Power down the system and remove the power cord from the rear of the power supply. Remove the chassis side cover as described in Section 4-2.
2. Loosen the thumb screw securing the 2.5" hard drive cage to the chassis.
3. Disconnect all cables from the hard drive.
4. Slide the 2.5" hard drive cage out of the chassis.



**Figure 4-7. Installing 2.5" Hard Drives**

5. If a hard drive is already present, remove it by carefully pulling the sides of the hard drive carrier outward.
6. Remove the hard drive from the hard drive carrier.
7. Insert the new hard drive into the hard drive carrier.
8. Insert the hard drive carrier into the hard drive cage, sliding it towards the back of the the hard drive cage until it clicks into a locked position.
9. Slide the 2.5" hard drive cage back into the chassis and tighten the thumb screw to secure the cage.
10. Connect the related cables to the hard drive.
11. Plug the power cord back into the power module, replace the chassis cover and power-up the system.

**Warning: Only enterprise level HDDs are recommended for use in this chassis.**

## 4-6 Installing the I/O Shield and Motherboard

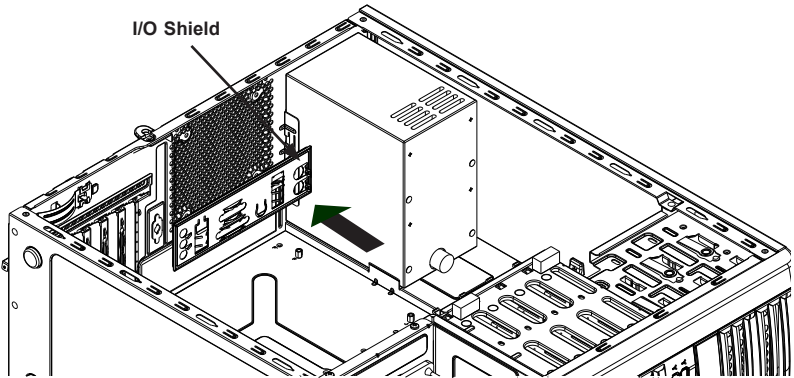


Figure 4-8. I/O Shield Placement

### I/O Shield

An I/O shield holds the motherboard ports in place. Install the I/O shield before you install the motherboard. The maximum size of motherboard supported by the SC732 is a 12" x 13" extended ATX motherboard. The motherboard is sold separately from the SC732 chassis and comes with an I/O shield specific to the motherboard.

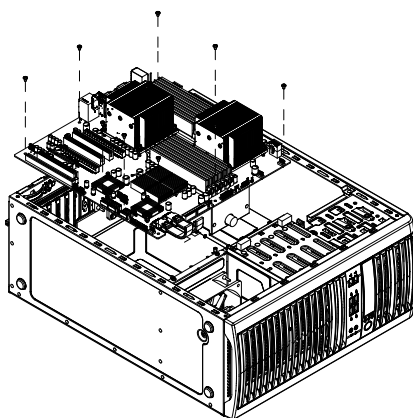
#### *Installing the I/O Shield*

1. Review the documentation that came with the motherboard. Become familiar with component placement, requirements, and safety precautions.
2. Power down the system and remove the power cord from the rear of the power supply. Remove the chassis side cover as described in Section 4-2.
3. With the illustrations facing the outside of the chassis, slide the I/O shield into the space provided.
4. Once installed, the chassis will hold the I/O shield in place.
5. Plug the power cord back into the power module, replace the chassis cover and power-up the system.

## Motherboard Installation

### *Installing the Motherboard*

1. Review the documentation that came with your motherboard. Become familiar with component placement, requirements, precautions, and cable connections.
2. Power down the system and remove the power cord from the rear of the power supply. Remove the chassis side cover as described in Section 4-2.
3. Rotate the hard drive cage 90 degrees outward, as described in the previous section, Rotating the Hard Drive Cage.
4. Lay the motherboard in the chassis.
5. Secure the motherboard to the chassis using the rounded, Phillips head screws provided. Do not exceed eight pounds of torque when tightening down the motherboard.
6. Secure the CPU(s), heatsinks, and other components to the motherboard as described in the motherboard documentation.
7. Connect the cables between the motherboard and power supply.
8. Plug the power cord back into the power module, replace the chassis cover and power-up the system.



**Figure 4-9. Installing the Motherboard**

## 4-7 Installing a 3.5" Device (Optional)

The SC732D chassis has one 3.5" device slot, which supports an optional device, such as an all-in-one card reader.

### *Installing a 3.5" Device*

1. Power down the system and remove the power cord from the rear of the power supply. Remove the chassis side cover as described in Section 4-2.
2. Remove the front bezel from the chassis by lifting it upwards from the bottom, and pulling off the front of the chassis.
3. Remove the cover plate from the 3.5" device slot on the front of the chassis.
4. Install the bracket rail (A) which is included in the accessory box, onto one side of the 3.5" device, by inserting the pins of the bracket into the mounting holes on the sides of the optical device.
5. Slide the 3.5" device into the chassis.
6. See Section 4-10 Installing the Front Bezel. Plug the power cord back into the power module, replace the chassis cover and power-up the system.

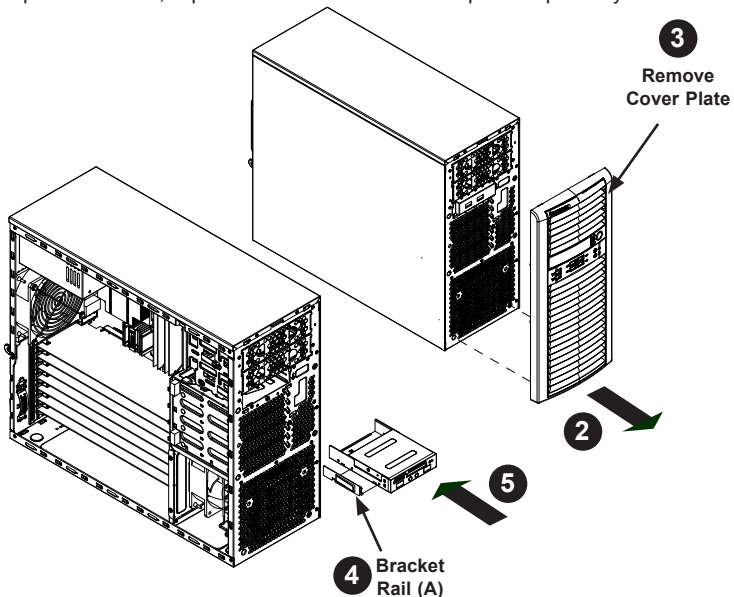


Figure 4-10. Installing the 3.5" Device

## 4-8 Installing Expansion Cards

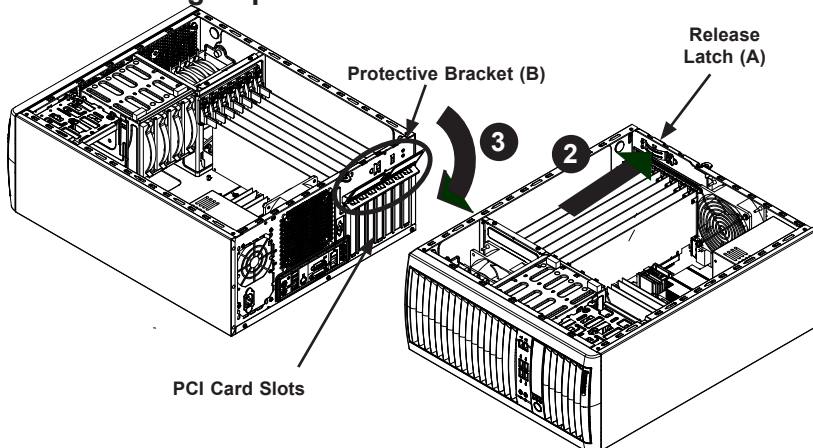


Figure 4-11. Locating Expansion Card Components

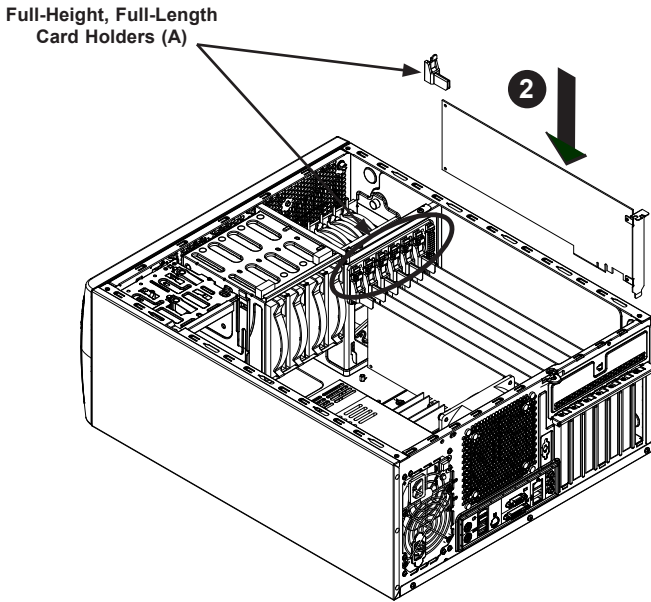
### Expansion Card and PCI Slot Setup

The SC732 chassis includes seven PCI card slots for expansion cards. The number of cards used varies, depending upon the motherboard models.

#### *Installing Expansion Cards*

1. Power down the system and remove the power cord from the rear of the power supply. Remove the chassis side cover as described in Section 4-2.
2. Depress the release latch (A) which holds the protective bracket (B) and secures the add-on card brackets to the chassis.
3. Lower the protective bracket over the top of the expansion card dummy brackets as shown in the lower illustration.
4. Remove the expansion card dummy brackets from their slots.
5. Simultaneously, slide the expansion card and its bracket into the slot on the chassis, and insert the expansion card into its slot on the motherboard.
6. If desired, screws can be used to secure the expansion card into the chassis.
7. Close the protective bracket over the tops of the expansion card brackets.
8. Plug the power cord back into the power module, replace the chassis cover and power-up the system.





**Figure 4-12. Installing a Full-Height, Full-Length Expansion Card**

## **Full-Height, Full-Length Expansion Card Setup**

The SC732 chassis includes clips to accommodate the use of full-height, full-length expansion cards. These clips support and stabilize the cards, preventing them from contacting any undesired surfaces.

### ***Installing Full-Height, Full-Length Expansion Cards***

1. Locate the card holders (A), on the opposite side of the chassis from the add-on card brackets.
2. Begin by installing the card as described in the previous section, Expansion Card and PCI Slot Setup.
3. Push the card holder all the way down onto the end of the card to secure it in the chassis.
4. Plug the power cord back into the power module, replace the chassis cover and power-up the system.

## 4-9 Installing the System Fans

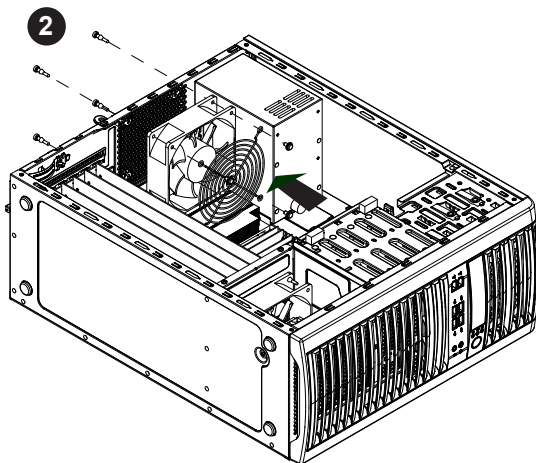
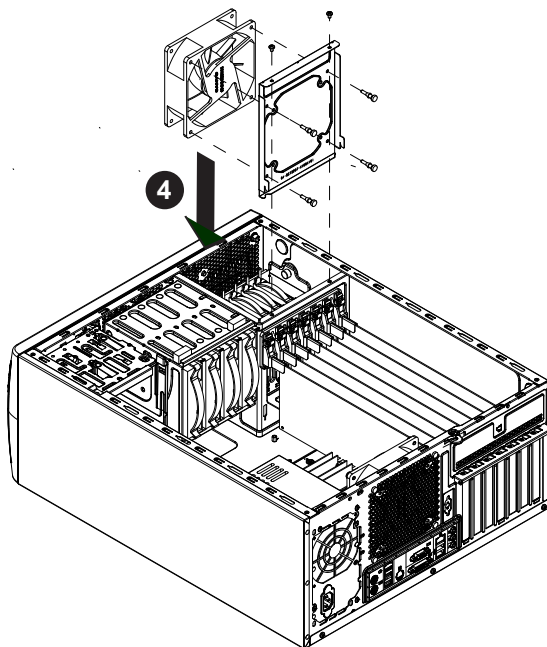


Figure 4-13. Installing the Rear Exhaust Fan

### *Installing the Rear Exhaust Fan*

1. Power down the system and remove the power cord from the rear of the power supply. Remove the chassis side cover as described in Section 4-2.
2. Insert the four rubber pins through mounting holes in the rear of the chassis and through the mounting holes in the rear fan.
3. Pull the rubber pins through the mounting holes of the fan to secure the fan to the chassis.
4. Connect the fan cable to the motherboard.
5. Plug the power cord back into the power module, replace the chassis cover and power-up the system.



**Figure 4-14. Installing the Front Cooling Fan (Optional)**

***Installing the Front Cooling Fan (Optional)***

1. Power down the system and remove the power cord from the rear of the power supply. Remove the chassis side cover as described in Section 4-2.
2. Insert the four rubber pins through the front fan bracket and into the mounting holes in the front fan.
3. Pull the rubber pins through the mounting holes of the system fan to secure the fan to the chassis.
4. Lower the fan into the chassis, aligning the holes at the top of the front fan bracket with the holes in the chassis.
5. Secure the fan to the chassis using the two screws provided.
6. Connect the fan cable to the motherboard.
7. Plug the power cord back into the power module, replace the chassis cover and power-up the system.

## 4-10 Installing the Front Bezel

### *Front Bezel Installation*

1. Insert the tabs on the front bezel into the mounting holes on the front of the chassis.
2. Ensure that the cover fits snugly.

This completes the installation of basic components in the SC732 chassis

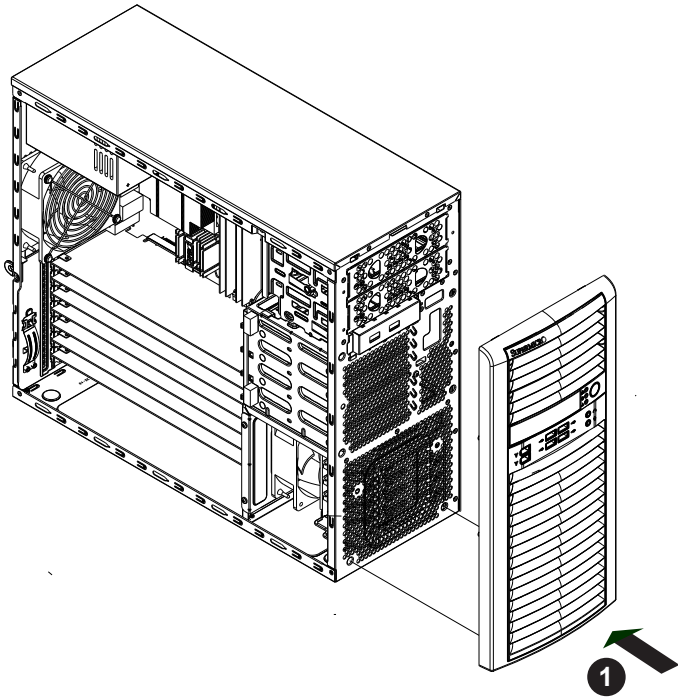


Figure 4-15. Installing the Front Bezel

## 4-11 Power Supply

The SC732 chassis includes either a 500W, redundant 500W, 865W or 900W power supply. In the unlikely event that it becomes necessary to replace the power supply, follow the instructions below.

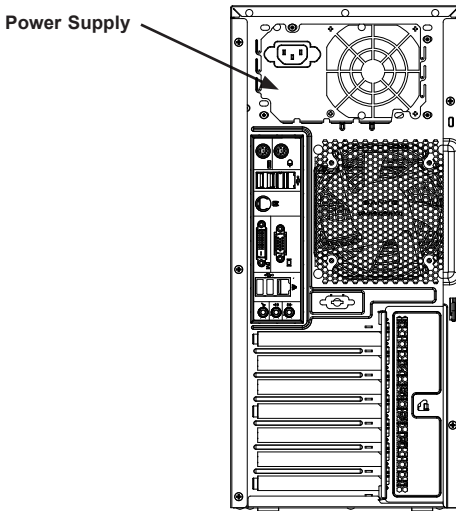


Figure 4-16. Removing the Power Supply

### *Changing the Power Supply*

1. Power down the system and remove the power cord from the rear of the power supply. Remove the chassis side cover as described in Section 4-2.
2. Disconnect the motherboard cables.
3. Remove the screws securing the power supply to the chassis. Set these screws aside for later use.
4. Gently lift the power supply out of the chassis.
5. Replace the failed power supply with an identical power supply model.
6. Secure the new power supply using the screws previously set aside.
7. Plug the power cord back into the power module and power-up the system.

## Notes

## Appendix A

### Power Supply Specifications

This appendix lists power supply specifications for your chassis system.

<b>SC732D4F-500B, SC732D4-500B, SC732D2-500B, SC732i-500B</b>	
<b>500W</b>	
<b>MFR Part #</b>	PWS-502-PQ
<b>Rated AC Voltage</b>	100 - 240V 50 - 60Hz 12 - 6 Amp
<b>+5V standby</b>	6.5 Amp
<b>+12V</b>	69 Amp
<b>+5V</b>	30 Amp
<b>+3.3V</b>	305 Amp
<b>-12V</b>	1 Amp

<b>SC732D4F-865B, SC732D4-865B, SC732D2-865B, SC732i-865B</b>	
<b>865W</b>	
<b>MFR Part #</b>	PWS-865-PQ
<b>Rated AC Voltage</b>	100 - 240V 50 - 60Hz 12 - 6 Amp
<b>+5V standby</b>	6.5 Amp
<b>+12V</b>	70 Amp
<b>+5V</b>	30 Amp
<b>+3.3V</b>	30 Amp
<b>-12V</b>	1 Amp

SC732D4F-903B, SC732D4-903B, SC732D3-903B, SC732D2-903B	
900W	
<b>MFR Part #</b>	PWS-903-PQ
<b>AC Voltage</b>	100-240 V 50-60 Hz 10-6 Amp
<b>+5V standby</b>	3 Amp
<b>+12V1</b>	25 Amp
<b>+12V2</b>	25 Amp
<b>+12V3</b>	25 Amp
<b>+12V4</b>	25 Amp
<b>+5V</b>	25 Amp
<b>+3.3V</b>	25 Amp
<b>-12V</b>	0.5 Amp





<b>SC732i-R500B</b>	
<b>500W Redundant Power Supply</b>	
<b>MFR Part #</b>	PWS-503R-PQ
<b>AC Input</b>	100-240 V 50-60 Hz 10-6 Amp
<b>+5V</b>	25 Amp
<b>+5V Standby1</b>	4 Amp
<b>+12V</b>	40 Amp
<b>+3.3V</b>	20 Amp
<b>-12V</b>	0.8 Amp

Disclaimer (cont.)

The products sold by Supermicro are not intended for and will not be used in life support systems, medical equipment, nuclear facilities or systems, aircraft, aircraft devices, aircraft/emergency communication devices or other critical systems whose failure to perform be reasonably expected to result in significant injury or loss of life or catastrophic property damage. Accordingly, Supermicro disclaims any and all liability, and should buyer use or sell such products for use in such ultra-hazardous applications, it does so entirely at its own risk. Furthermore, buyer agrees to fully indemnify, defend and hold Supermicro harmless for and against any and all claims, demands, actions, litigation, and proceedings of any kind arising out of or related to such ultra-hazardous use or sale.