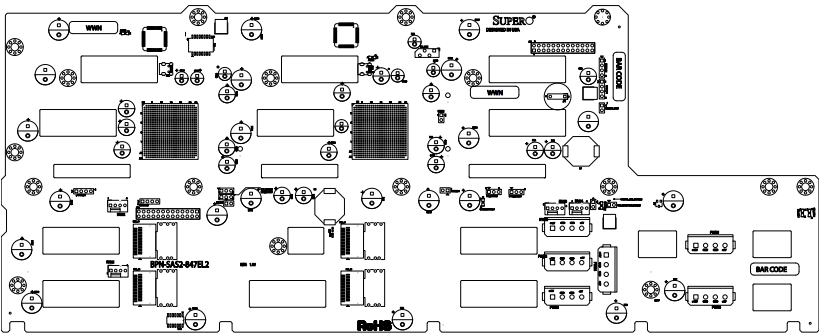




## BPN-SAS2-847EL BACKPLANE



## USER'S GUIDE

1.0b

The information in this User's Manual has been carefully reviewed and is believed to be accurate. The vendor assumes no responsibility for any inaccuracies that may be contained in this document, makes no commitment to update or to keep current the information in this manual, or to notify any person or organization of the updates. **Please Note: For the most up-to-date version of this manual, please see our web site at [www.supermicro.com](http://www.supermicro.com).**

Super Micro Computer, Inc. ("Supermicro") reserves the right to make changes to the product described in this manual at any time and without notice. This product, including software, if any, and documentation may not, in whole or in part, be copied, photocopied, reproduced, translated or reduced to any medium or machine without prior written consent.

IN NO EVENT WILL SUPERMICRO BE LIABLE FOR DIRECT, INDIRECT, SPECIAL, INCIDENTAL, SPECULATIVE OR CONSEQUENTIAL DAMAGES ARISING FROM THE USE OR INABILITY TO USE THIS PRODUCT OR DOCUMENTATION, EVEN IF ADVISED OF THE POSSIBILITY OF SUCH DAMAGES. IN PARTICULAR, SUPERMICRO SHALL NOT HAVE LIABILITY FOR ANY HARDWARE, SOFTWARE, OR DATA STORED OR USED WITH THE PRODUCT, INCLUDING THE COSTS OF REPAIRING, REPLACING, INTEGRATING, INSTALLING OR RECOVERING SUCH HARDWARE, SOFTWARE, OR DATA.

Any disputes arising between manufacturer and customer shall be governed by the laws of Santa Clara County in the State of California, USA. The State of California, County of Santa Clara shall be the exclusive venue for the resolution of any such disputes. Super Micro's total liability for all claims will not exceed the price paid for the hardware product.

FCC Statement: This equipment has been tested and found to comply with the limits for a Class A digital device pursuant to Part 15 of the FCC Rules. These limits are designed to provide reasonable protection against harmful interference when the equipment is operated in a commercial environment. This equipment generates, uses, and can radiate radio frequency energy and, if not installed and used in accordance with the manufacturer's instruction manual, may cause harmful interference with radio communications. Operation of this equipment in a residential area is likely to cause harmful interference, in which case you will be required to correct the interference at your own expense.

California Best Management Practices Regulations for Perchlorate Materials: This Perchlorate warning applies only to products containing CR (Manganese Dioxide) Lithium coin cells. "Perchlorate Material-special handling may apply. See [www.dtsc.ca.gov/hazardouswaste/perchlorate](http://www.dtsc.ca.gov/hazardouswaste/perchlorate)"

---

**WARNING: Handling of lead solder materials used in this product may expose you to lead, a chemical known to the State of California to cause birth defects and other reproductive harm.**

---

Manual Revision 1.0b  
Release Date: June 26, 2015

mk

Unless you request and receive written permission from Super Micro Computer, Inc., you may not copy any part of this document.

Information in this document is subject to change without notice. Other products and companies referred to herein are trademarks or registered trademarks of their respective companies or mark holders.

Copyright © 2015 by Super Micro Computer, Inc.  
All rights reserved.

**Printed in the United States of America**

---



---

# Contents

Contacting Supermicro.....	v
Returning Merchandise for Service.....	vi
<b>Chapter 1 Guidelines</b>	
1-1 ESD Safety Guidelines .....	1-1
1-2 General Safety Guidelines .....	1-1
1-3 Version Information .....	1-2
<b>Chapter 2 Jumper Settings and Pin Definitions</b>	
2-1 Rear Connectors .....	2-1
2-2 Rear Connector and Pin Definitions .....	2-2
2-3 Rear Jumper Locations and Pin Definitions .....	2-4
Explanation of Jumpers .....	2-4
2-4 Rear LED Indicators.....	2-6
2-5 Front Connectors and LED Indicators .....	2-7
<b>Chapter 3 Dual Port and Cascading Configurations</b>	
3-1 Single and Dual Port Expanders.....	3-1
Single Ports.....	3-1
Dual Ports .....	3-1
3-2 Failover.....	3-2
Single Host Bus Adapter.....	3-2
Single Host Bus Adapter Failover.....	3-2
3-3 Failover with RAID Cards and Multiple HBAs .....	3-3
Dual Host Bus Adapter .....	3-3
Dual Host Bus Adapter Failover.....	3-3
3-3 Chassis Power Card and Support Cables .....	3-4
Chassis Power Card .....	3-4
Connecting an Internal Host Bus Adapter to the Backplane .....	3-5
Supported Internal HBA Cables.....	3-5
Connecting an External Host Bus Adapter to the Backplane .....	3-7
Single External Host Bus Adapter .....	3-7
Dual External Host Bus Adapter .....	3-7
Supported External HBA to Backplane Cable .....	3-8
Connecting Multiple Backplanes in a Single Channel Environment.....	3-9
Single HBA Configuration Cables .....	3-10

	Connecting Multiple Backplanes in a Dual Channel Environment .....	3-11
	Dual HBA Configuration Cables.....	3-12
3-4	Supported Cascading Configurations .....	3-13
	Dual SAS HBA and Cascaded Configuration .....	3-14

---

---

## Contacting Supermicro

### Headquarters

Address: Super Micro Computer, Inc.  
980 Rock Ave.  
San Jose, CA 95131 U.S.A.

Tel: +1 (408) 503-8000

Fax: +1 (408) 503-8008

Email: [marketing@supermicro.com](mailto:marketing@supermicro.com) (General Information)  
[support@supermicro.com](mailto:support@supermicro.com) (Technical Support)

Web Site: [www.supermicro.com](http://www.supermicro.com)

### Europe

Address: Super Micro Computer B.V.  
Het Sterrenbeeld 28, 5215 ML  
's-Hertogenbosch, The Netherlands

Tel: +31 (0) 73-6400390

Fax: +31 (0) 73-6416525

Email: [sales@supermicro.nl](mailto:sales@supermicro.nl) (General Information)  
[support@supermicro.nl](mailto:support@supermicro.nl) (Technical Support)  
[rma@supermicro.nl](mailto:rma@supermicro.nl) (Customer Support)

Web Site: [www.supermicro.nl](http://www.supermicro.nl)

### Asia-Pacific

Address: Super Micro Computer, Inc.  
3F, No. 150, Jian 1st Rd.  
Zhonghe Dist., New Taipei City 235  
Taiwan (R.O.C)

Tel: +886-(2) 8226-3990

Fax: +886-(2) 8226-3992

Email: [support@supermicro.com.tw](mailto:support@supermicro.com.tw)

Web Site: [www.supermicro.com.tw](http://www.supermicro.com.tw)

## Returning Merchandise for Service

A receipt or copy of your invoice marked with the date of purchase is required before any warranty service will be rendered. You can obtain service by calling your vendor for a Returned Merchandise Authorization (RMA) number. When returning to the manufacturer, the RMA number should be prominently displayed on the outside of the shipping carton, and mailed prepaid or hand-carried. Shipping and handling charges will be applied for all orders that must be mailed when service is complete.

For faster service, RMA authorizations may be requested online (<http://www.supermicro.com/support/rma/>).

Whenever possible, repack the backplane in the original Supermicro box, using the original packaging materials. If these are no longer available, be sure to pack the backplane in an anti-static bag and inside the box. Make sure that there is enough packaging material surrounding the backplane so that it does not become damaged during shipping.

This warranty only covers normal consumer use and does not cover damages incurred in shipping or from failure due to the alteration, misuse, abuse or improper maintenance of products.

During the warranty period, contact your distributor first for any product problems.

# Chapter 1

## Guidelines

This chapter offers guidelines for personal and equipment safety, and notes about the BPN-SAS2-847EL version documented in this manual.

### 1-1 ESD Safety Guidelines

Electrostatic Discharge (ESD) can damage electronic components. To prevent damage to your system, it is important to handle it very carefully. The following measures are generally sufficient to protect your equipment from ESD.

- Use a grounded wrist strap designed to prevent static discharge.
- Touch a grounded metal object before removing a component from the antistatic bag.
- Handle the backplane by its edges only; do not touch its components, peripheral chips, memory modules or gold contacts.
- When handling chips or modules, avoid touching their pins.
- Put the card and peripherals back into their antistatic bags when not in use.

### 1-2 General Safety Guidelines

- Always disconnect power cables before installing or removing any components from the computer, including the backplane.
- Disconnect the power cable before installing or removing any cables from the backplane.
- Make sure that the backplane is securely and properly installed on the motherboard to prevent damage to the system due to power shortage.

## **1-3 Version Information**

The BPN-SAS2-847EL backplane has been designed to utilize the most up-to-date technology available, providing your system with reliable, high-quality performance.

This manual reflects BPN-SAS2-847EL, Revision 1.01, the most current release available at the time of publication. Refer to the Supermicro Web site at [www.supermicro.com](http://www.supermicro.com) for the latest updates, compatible parts and supported configurations.



## Chapter 2

### Jumper Settings and Pin Definitions

#### 2-1 Rear Connectors

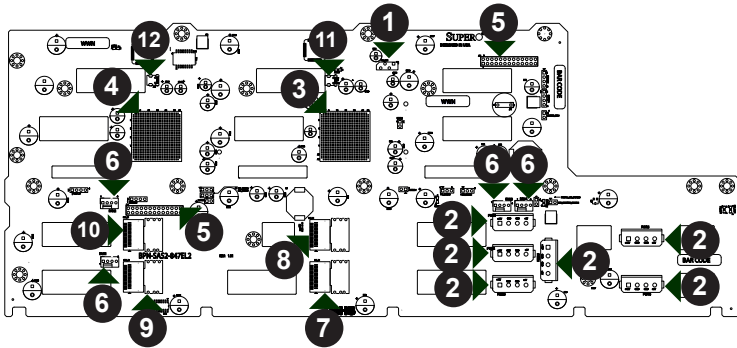


Figure 2-1. Rear Connectors

1. Primary I<sup>2</sup>C connector: PRI\_I2C1
2. Power connectors: PWR1, PWR2, PWR3, PWR4, PWR5, and PWR6
3. Primary expander chip
4. Secondary expander chip (Not available in EL1 backplane)
5. EPP connectors: J21 and J24
6. Fan connectors: FAN1, FAN2, FAN3 and FAN4
7. Primary SAS port: PRI\_J0
8. Primary SAS port: PRI\_J1
9. Secondary SAS port: SEC\_J0 (Not available in EL1 backplane)
10. Secondary SAS port SEC\_J1 (Not available in EL1 backplane)
11. Primary Ethernet port: J22
12. Secondary Ethernet port: J23

## 2-2 Rear Connector and Pin Definitions

### 1. Primary I<sup>2</sup>C Connector

The I<sup>2</sup>C connector is used to monitor the power supply status and to control the fans. See the table on the right for pin definitions.

I <sup>2</sup> C Connector Pin Definitions	
Pin#	Definition
1	Data
2	Ground
3	Clock
4	No Connection

### 2. Backplane Main Power Connectors

The 4-pin connectors, designated PWR1, PWR2, PWR3, PWR4, PWR5, and PWR6, provide power to the backplane. See the table on the right for pin definitions.

Backplane Main Power 4-Pin Connector	
Pin#	Definition
1	+12V
2 and 3	Ground
4	+5V

### 3. and 4. Primary and Secondary Expander Chips

This primary and secondary expander chips allow the backplane to support dual ports, cascading, and failover.

### 5. EPP Ports

The EPP ports are used for manufacturer's diagnostic purposes only.

## 6. Fan Connectors

The 4-pin connectors, designated FAN1, through FAN4, provide power to the fans. See the table on the right for pin definitions.

Fan Connectors	
Pin#	Definition
1	Ground
2	+12V
3	Tachometer
4	Empty

## 7. - 10. SAS Ports

The primary and secondary sets of SAS ports provide expander features including cascading and failover. From right to left the ports are Primary 0, Primary 1 and Secondary 0, Secondary 1. Note that secondary SAS ports are not present on the SAS2-847EL1 backplane.

## 2-3 Rear Jumper Locations and Pin Definitions

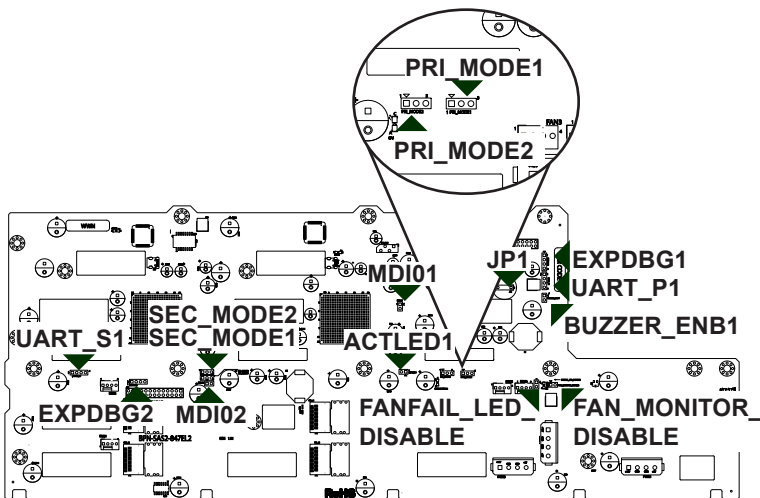
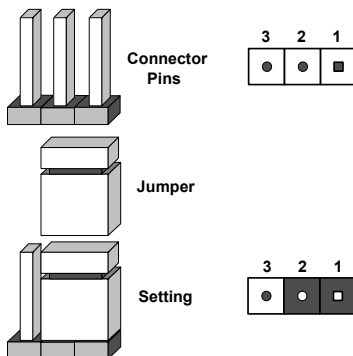


Figure 2-2. Rear Jumper Locations and Pin Definitions

### Explanation of Jumpers

To modify the operation of the backplane, jumpers can be used to choose between optional settings. Jumpers create shorts between two pins to change the function of the connector. Pin 1 is identified with a square solder pad on the printed circuit board. Note: On two pin jumpers, "Closed" means the jumper is on and "Open" means the jumper is off the pins.



General Jumper Settings		
Jumper	Jumper Settings	Note
PRI_MODE1 and 2	Pins 2-3	Factory Setting Do not change
SEC_MODE1 and 2	Pins 2-3	Factory Setting Do not change
MDI01 and 02	No jumper required	SMC internal use only
UART_P1	No jumper required	Primary UART connector
UART_S1	No jumper required	Secondary UART connector (Not present on SAS2-847E2)
JP1	No jumper required	Buzzer connector
BUZZER_ENB1*	Open: Disable (default) Closed: Enable	Buzzer enable
ACTLED1	Open: Disable Closed: Enable	For manufacturing use only
FAN_MONITOR_DISABLE	Open: Enable Closed: Disable	Fan monitor settings
FANFAIL_LED_DISABLE	Open: Enable Closed: Disable	Disables the fan failure LED
EXPDBG1	N/A	For manufacturing use only.
EXPDBG2	N/A	For manufacturing use only.

\* Early versions of Supermicro SAS2 backplanes come equipped with a buzzer. New versions of these backplanes no longer support a buzzer. We recommend using the LSI MegaRAID Storage Manager or a similar management application to trigger an email alert instead.

***The buzzer alarm is triggered by one of the following conditions:***

- Hard drive failure.
- Fan failure.
- System temperature over 45° Celsius.

## 2-4 Rear LED Indicators

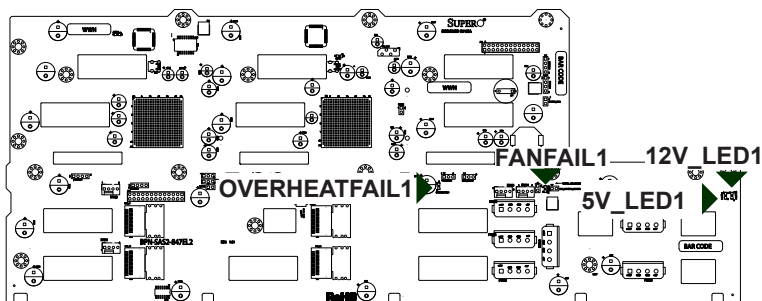


Figure 2-3. RearLED Indicators

Rear LEDs		
LED	Default State	Specification
5V_LED1	On	Blue LED indicates a backplane power failure. Light is on during normal operation
12V_LED2	On	Blue LED indicates a backplane power failure. Light is on during normal operation.
OVERHEATFAIL1	Off	Red LED indicates an overheated condition. Light is off during normal operation
FANFAIL1	Off	Red LED indicates a fan failure. Light is off during normal operation

## 2-5 Front Connectors and LED Indicators

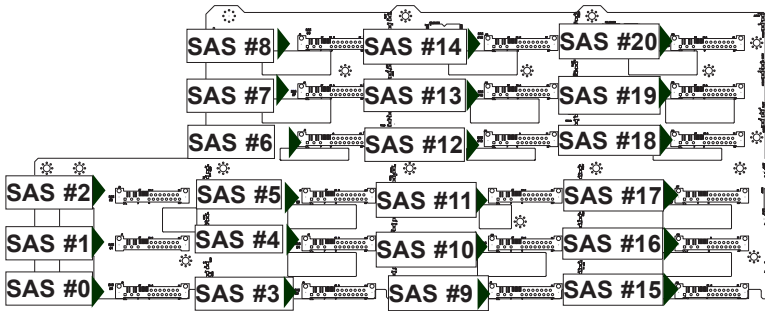


Figure 2-4: Front Connectors

Front SAS/SATA Connectors			
Rear Connector	SAS Drive Number	Rear Connector	SAS Drive Number
SAS #0	SAS/SATA HDD #0	SAS #11	SAS/SATA HDD #11
SAS #1	SAS/SATA HDD #1	SAS #12	SAS/SATA HDD #12
SAS #2	SAS/SATA HDD #2	SAS #13	SAS/SATA HDD #13
SAS #3	SAS/SATA HDD #3	SAS #14	SAS/SATA HDD #14
SAS #4	SAS/SATA HDD #4	SAS #15	SAS/SATA HDD #15
SAS #5	SAS/SATA HDD #5	SAS #16	SAS/SATA HDD #16
SAS #6	SAS/SATA HDD #6	SAS #17	SAS/SATA HDD #17
SAS #7	SAS/SATA HDD #7	SAS #18	SAS/SATA HDD #18
SAS #8	SAS/SATA HDD #8	SAS #19	SAS/SATA HDD #19
SAS #9	SAS/SATA HDD #9	SAS #20	SAS/SATA HDD #20
SAS #10	SAS/SATA HDD #10		

<b>Rear LED Indicators</b>		
<b>Rear Connector</b>	<b>Hard Drive Activity LED</b>	<b>Failure LED</b>
SAS #0	ACT #0	FAIL #0
SAS #1	ACT #1	FAIL #1
SAS #2	ACT #2	FAIL #2
SAS #3	ACT #3	FAIL #3
SAS #4	ACT #4	FAIL #4
SAS #5	ACT #5	FAIL #5
SAS #6	ACT #6	FAIL #6
SAS #7	ACT #7	FAIL #7
SAS #8	ACT #8	FAIL #8
SAS #9	ACT #9	FAIL #9
SAS #10	ACT #10	FAIL #10
SAS #11	ACT #11	FAIL #11
SAS #12	ACT #12	FAIL #12
SAS #13	ACT #13	FAIL #13
SAS #14	ACT #14	FAIL #14
SAS #15	ACT #15	FAIL #15
SAS #16	ACT #16	FAIL #16
SAS #17	ACT #17	FAIL #17
SAS #18	ACT #18	FAIL #18
SAS #19	ACT #19	FAIL #19
SAS #20	ACT #20	FAIL #20



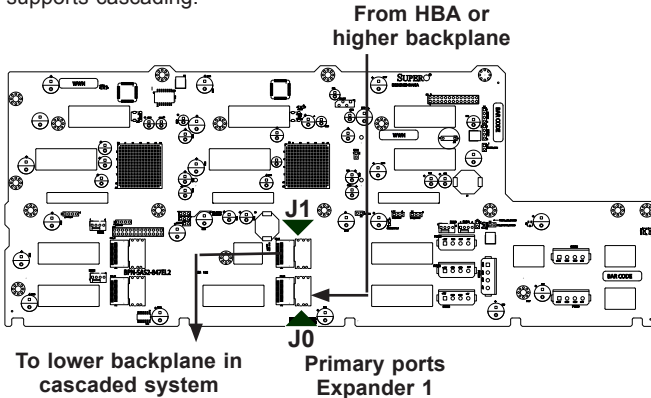
## Chapter 3

### Dual Port and Cascading Configurations

#### 3-1 Single and Dual Port Expanders

##### Single Ports

SAS2-847EL1 backplanes have a single-port expander that access all hard drives and supports cascading.



##### Dual Ports

SAS2-847EL2 backplanes have dual-J1 expanders that access all the hard drives. These dual-port expanders support cascading, failover, and multipath.

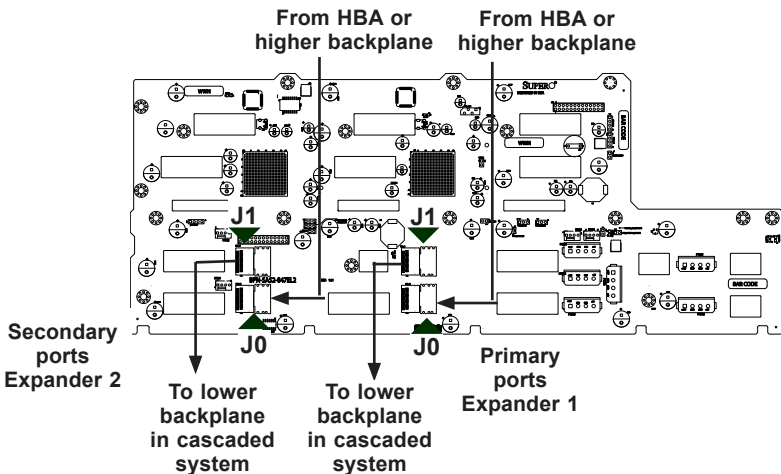


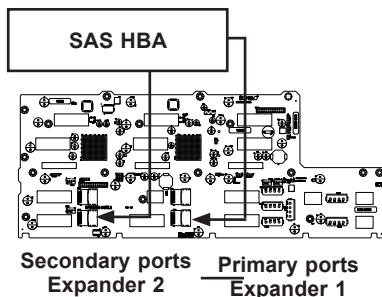
Figure 3-1: Single and Dual Port Cascading Configurations

## 3-2 Failover

The SAS2-847EL2 backplane has two expanders which allow effective failover.

### Single Host Bus Adapter

In a single host bus configuration, the backplane connects to one Host Bus Adapter (HBA).



### Single Host Bus Adapter Failover

If the expander or data path in the primary ports fails, the system automatically switches to the secondary ports.

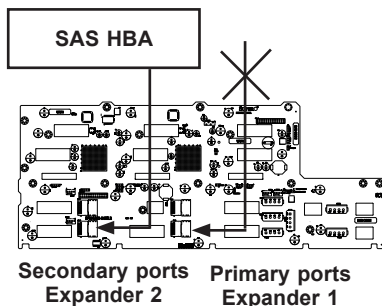


Figure 3-2: Single HBA Failover Configurations

### 3-3 Failover with RAID Cards and Multiple HBAs

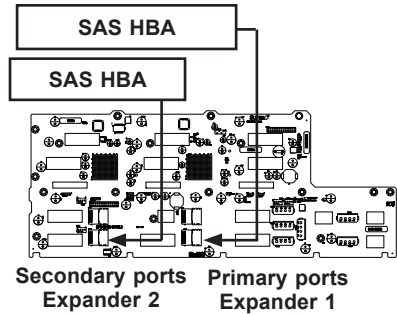
The SAS-836EL backplane may be configured for failover with multiple HBAs using either RAID controllers or HBAs to achieve failover protection.

**RAID Controllers:** If RAID controllers are used, then the failover is accomplished through port failover on the same RAID card.

**HBAs:** If multiple HBAs are used to achieve failover protection and load balancing, **Linux MPIO software must be installed and correctly configured to perform the load balancing and failover tasks.**

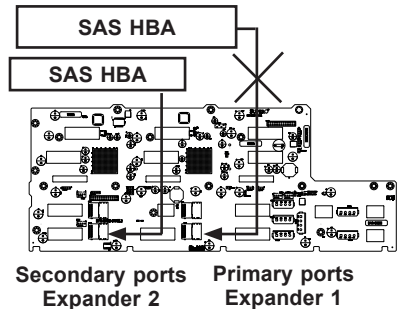
#### Dual Host Bus Adapter

In a Dual Host Bus Configuration, the backplane connects to two Host Bus Adapters.



#### Dual Host Bus Adapter Failover

If the expander or data path in the primary ports fails, the system automatically switches to the secondary ports. This maintains a full connection to all drives. Note that this configuration requires additional MPIO software. Contact your Supermicro authorized representative for details.



**Figure 3-3: Dual HBA Failover Configurations**

**IMPORTANT:** For RAID controllers, redundancy is achieved through port failover. For multiple HBAs MPIO software is required to achieve failover protection.

### 3-3 Chassis Power Card and Support Cables

#### Chassis Power Card

In a cascaded configuration, the first chassis includes a motherboard and at least one Host Bus Adapter (HBA). Other servers in this enclosed system, include a power card. This section describes the supported power card for the SAS-847EL1/EL2 backplane.

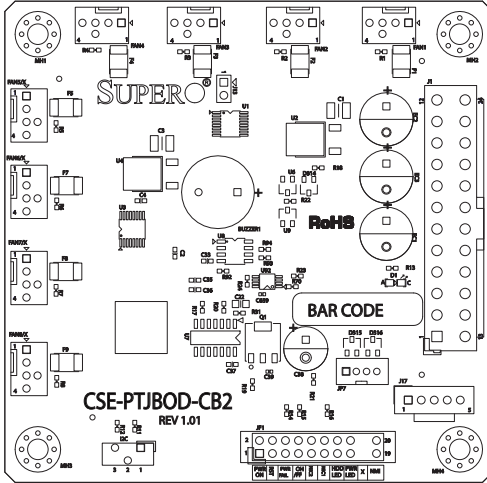


Figure 3-4: Chassis Power Card (Sold Separately)

Power Card		
Part Number	Part Type	Where Used
CSE-PTJBOD-CB2	Power card	Allows the chassis to be in a JBOD (Just a Bunch of Drives) system.

## Connecting an Internal Host Bus Adapter to the Backplane

The following section lists the most common cables used to connect the HBA to the backplane.

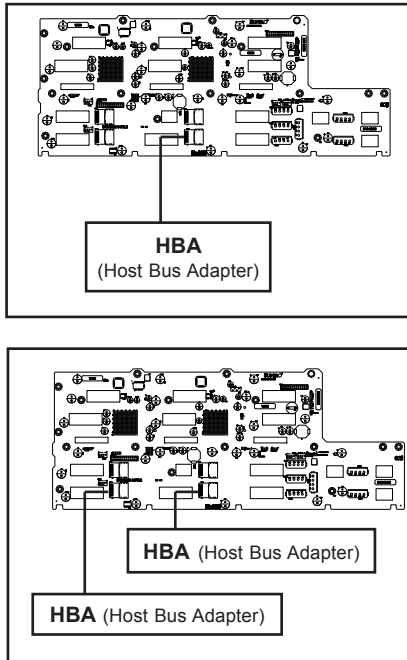


Figure 3-5: Connecting an Internal HBA to the Backplane

**IMPORTANT:** See Section 3-3 of this manual, *Failover with RAID Cards and Multiple HBAs* for important information on supported configurations.

### Supported Internal HBA Cables

Use the following listed cables to create connections between the internal HBA and SAS2-847EL backplane. The cables required depend on the HBA connector.

**Cable Name:** iPass TO 4-lane

**Part #:** CBL-0117L

**Length:** 46cm (18 inches)

**Description:** This cable has one SFF-8484 (32 pin) connector on one end and iPass (SFF-8087/mini-sas) connector (36 pins) at the other. This cable connects from the HBA to the SAS2-847EL backplane.

**Cable Name:** iPass (mini SAS) to iPass (mini SAS)

**Part #:** CBL-0108L-02

**Length:** 39 cm (15 inches)

**Part #:** CBL-0109L-02

**Length:** 22 cm (9 inches)

**Part #:** CBL-0110L-02

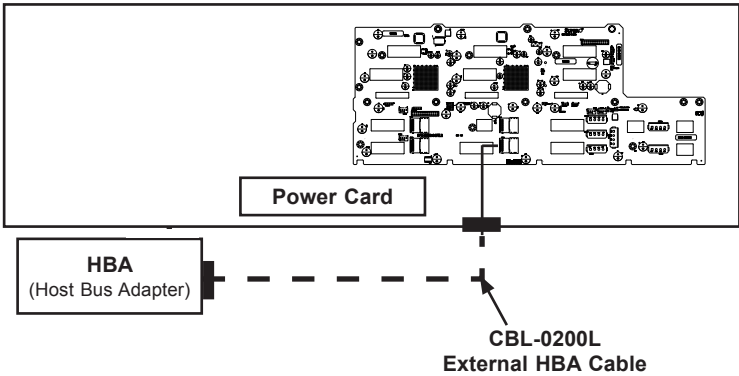
**Length:** 18 cm (7 inches)

**Description:** This cable has an iPass (SFF-8087/mini-sas) connector (36 pins) at each end. It connects from the HBA to the SAS2-847EL backplane.

## Connecting an External Host Bus Adapter to the Backplane

This backplane supports external Host Bus Adapters. In this configuration, the HBA and the backplane are in different physical chassis. This allows a JBOD configuration system to connect to the other system that has a HBA.

### Single External Host Bus Adapter



### Dual External Host Bus Adapter

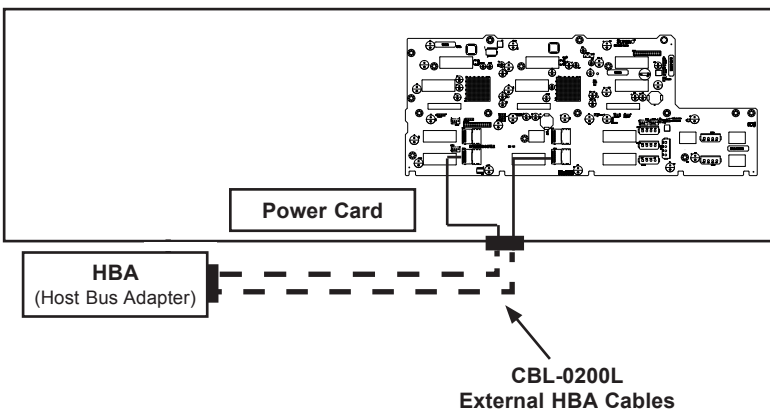


Figure 3-6: Connecting Single and Dual HBAs to the Backplane

## Supported External HBA to Backplane Cable

Use the following cable if your external HBA has an InfiniBand connector.



**Figure 3-7: External Cable (CBL-0166L)**

**Cable Name:** SAS EL2/EL1 Cascading Cable (External), 68cm

**Part #:** CBL-0166L (SFF-8088 1x to SFF-8088 x1)

**Ports:** Single or Dual

**Placement:** External cable

**Description:** External cascading cable. Connects ports between servers. With most connectors, use one cable for single port connections and two cables for dual port connections.



## Connecting Multiple Backplanes in a Single Channel Environment

This section describes the cables used when cascading from a single HBA. These connections use CBL-0167L internal cables and CBL-0166L external cables.

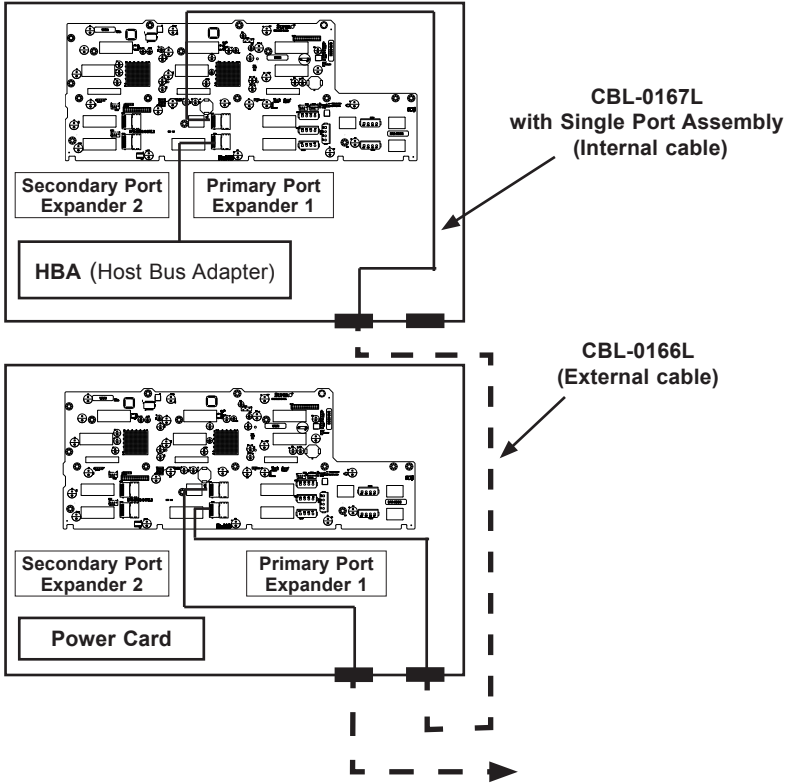
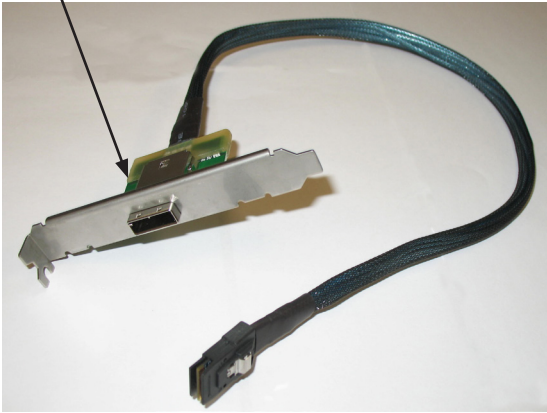


Figure 3-8: Single HBA Configuration

## Single HBA Configuration Cables

### Single Port Cable Assembly



**Figure 3-9: Single Port Internal Cable (CBL-0167L)**

**Cable Name:** SAS EL2/EL1 Backplane Cable (Internal) with 2-port Cascading Cable, 68 cm

**Part #:** CBL-0167L (SFF-8087 to SFF-8088 x1)

**Ports:** Single

**Placement:** Internal cable

**Description:** Internal cable. Connects the backplane to the Host Bus Adapter (HBA) or external port. Used in single port environments.



**Figure 3-10: External Cable (CBL-0166L)**

**Cable Name:** SAS EL2/EL1 Cascading Cable (External), 68cm

**Part #:** CBL-0166L (SFF-8088 1x to SFF-8088 x1)

**Ports:** Single or Dual

**Placement:** External cable

**Description:** External cascading cable. Connects ports between servers. With most connectors, use one cable for single port connections and two cables for dual port connections.

## Connecting Multiple Backplanes in a Dual Channel Environment

This section describes the cables used when cascading from dual HBAs. These connections use CBL-0168L internal cables and CBL-0166L external cables.

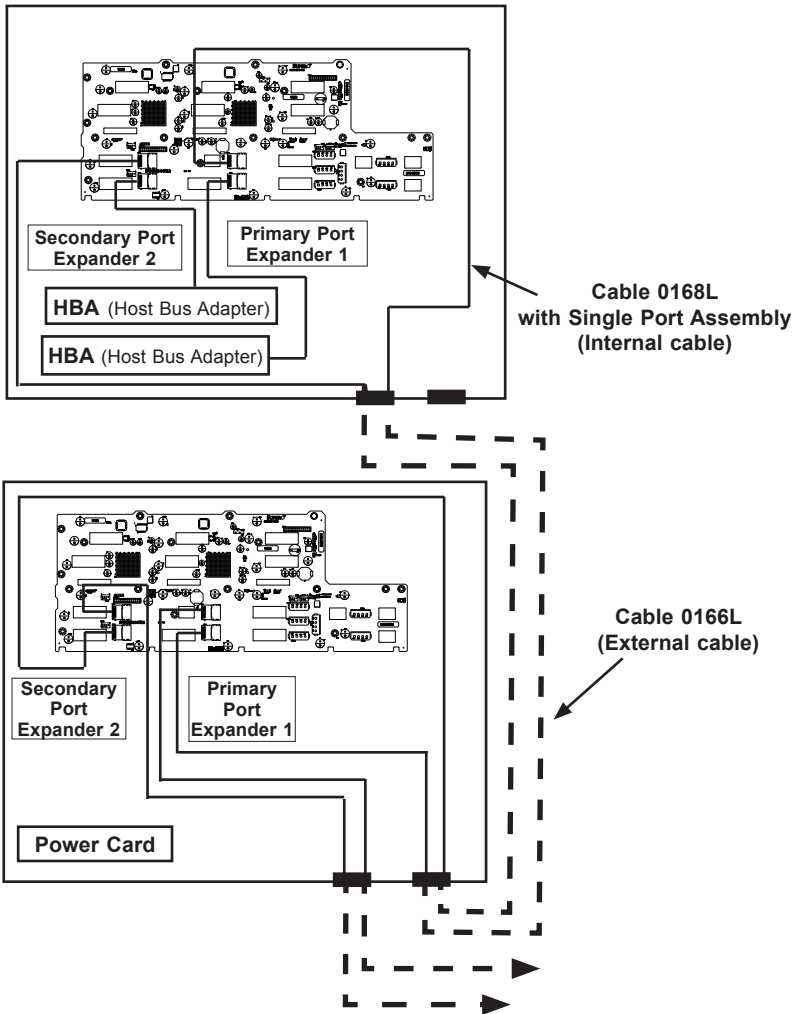


Figure 3-11: Multiple Backplanes in a Dual Channel Environment

**IMPORTANT:** See Section 3-3 of this manual, *Failover with RAID Cards and Multiple HBAs* for important information on supported configurations.

## Dual HBA Configuration Cables

Dual Port Cable  
Assembly



**Figure 3-12: Dual Port Internal Cable (CBL-0168L)**

**Cable Name:** SAS Dual-port Cable Assembly, 68/76cm

**Part #:** CBL-0168L

**Placement:** Internal cable

**Ports:** Dual

**Description:** Internal cascading cable. Connects the backplane to the Host Bus Adapter (HBA) or external port. Used in dual port environments.



**Figure 3-13: External Cable (CBL-0166L)**

**Cable Name:** SAS EL2/EL1 Cascading Cable (External), 68cm

**Part #:** CBL-0166L

**Placement:** External cable

**Ports:** Single or Dual

**Description:** External cascading cable. Connects ports between servers. Use one cable for single port connections and two cables for dual port connections.

### 3-4 Supported Cascading Configurations

Cascading allows the system to access data at a faster rate by allowing several backplanes to share resources to reduce latency time.

The first backplane in a cascaded system requires a motherboard and HBA. Other servers require a power control card with no motherboard and no HBA. For more information, see the SC846 Chassis Manual available at [www.supermicro.com](http://www.supermicro.com).

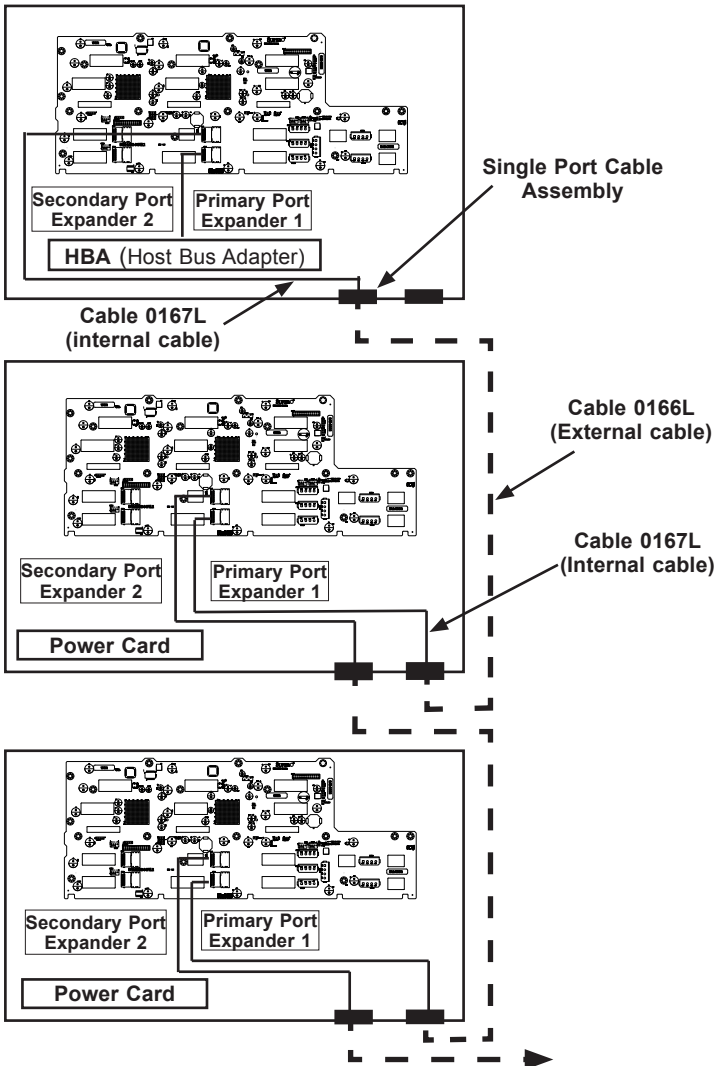


Figure 3-14: Simple Cascaded Configurations

### Dual SAS HBA and Cascaded Configuration

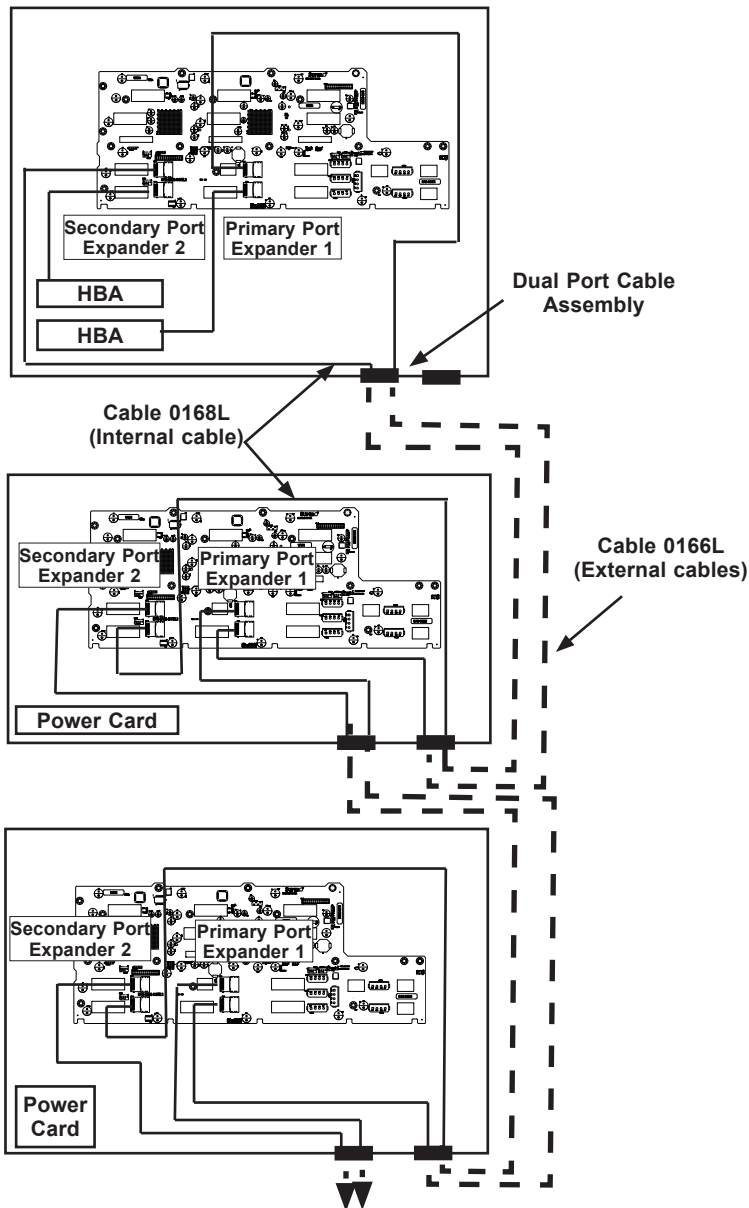


Figure 3-15: Dual SAS HBA with Cascaded Configuration

**IMPORTANT:** See Section 3-3 of this manual, *Failover with RAID Cards and Multiple HBAs* for important information on supported configurations.

## Notes

Disclaimer (cont.)

The products sold by Supermicro are not intended for and will not be used in life support systems, medical equipment, nuclear facilities or systems, aircraft, aircraft devices, aircraft/emergency communication devices or other critical systems whose failure to perform be reasonably expected to result in significant injury or loss of life or catastrophic property damage. Accordingly, Supermicro disclaims any and all liability, and should buyer use or sell such products for use in such ultra-hazardous applications, it does so entirely at its own risk. Furthermore, buyer agrees to fully indemnify, defend and hold Supermicro harmless for and against any and all claims, demands, actions, litigation, and proceedings of any kind arising out of or related to such ultra-hazardous use or sale.