

**SUPER**  <sup>®</sup>

X9SRW-F

**USER'S MANUAL**

Revision 1.1a

---

---

The information in this User's Manual has been carefully reviewed and is believed to be accurate. The vendor assumes no responsibility for any inaccuracies that may be contained in this document, makes no commitment to update or to keep current the information in this manual, or to notify any person or organization of the updates. **Please Note: For the most up-to-date version of this manual, please see our web site at [www.supermicro.com](http://www.supermicro.com).**

Super Micro Computer, Inc. ("Supermicro") reserves the right to make changes to the product described in this manual at any time and without notice. This product, including software and documentation, is the property of Supermicro and/or its licensors, and is supplied only under a license. Any use or reproduction of this product is not allowed, except as expressly permitted by the terms of said license.

IN NO EVENT WILL SUPER MICRO COMPUTER, INC. BE LIABLE FOR DIRECT, INDIRECT, SPECIAL, INCIDENTAL, SPECULATIVE OR CONSEQUENTIAL DAMAGES ARISING FROM THE USE OR INABILITY TO USE THIS PRODUCT OR DOCUMENTATION, EVEN IF ADVISED OF THE POSSIBILITY OF SUCH DAMAGES. IN PARTICULAR, SUPER MICRO COMPUTER, INC. SHALL NOT HAVE LIABILITY FOR ANY HARDWARE, SOFTWARE, OR DATA STORED OR USED WITH THE PRODUCT, INCLUDING THE COSTS OF REPAIRING, REPLACING, INTEGRATING, INSTALLING OR RECOVERING SUCH HARDWARE, SOFTWARE, OR DATA.

Any disputes arising between manufacturer and customer shall be governed by the laws of Santa Clara County in the State of California, USA. The State of California, County of Santa Clara shall be the exclusive venue for the resolution of any such disputes. Supermicro's total liability for all claims will not exceed the price paid for the hardware product.

FCC Statement: This equipment has been tested and found to comply with the limits for a Class B digital device pursuant to Part 15 of the FCC Rules. These limits are designed to provide reasonable protection against harmful interference in a residential installation. This equipment generates, uses, and can radiate radio frequency energy and, if not installed and used in accordance with the manufacturer's instruction manual, may cause interference with radio communications. However, there is no guarantee that interference will not occur in a particular installation. If this equipment does cause harmful interference to radio or television reception, which can be determined by turning the equipment off and on, you are encouraged to try to correct the interference by one or more of the following measures:

- Reorient or relocate the receiving antenna.
- Increase the separation between the equipment and the receiver.
- Connect the equipment into an outlet on a circuit different from that to which the receiver is connected.
- Consult the dealer or an experienced radio/television technician for help.

California Best Management Practices Regulations for Perchlorate Materials: This Perchlorate warning applies only to products containing CR (Manganese Dioxide) Lithium coin cells. "Perchlorate Material-special handling may apply. See [www.dtsc.ca.gov/hazardouswaste/perchlorate](http://www.dtsc.ca.gov/hazardouswaste/perchlorate)".

**WARNING: Handling of lead solder materials used in this product may expose you to lead, a chemical known to the State of California to cause birth defects and other reproductive harm.**

---

Manual Revision 1.1a

Release Date: October 14, 2014

Unless you request and receive written permission from Super Micro Computer, Inc., you may not copy any part of this document. Information in this document is subject to change without notice. Other products and companies referred to herein are trademarks or registered trademarks of their respective companies or mark holders.

Copyright © 2014 by Super Micro Computer, Inc. All rights reserved.

**Printed in the United States of America**

## Preface

This manual is written for system integrators, IT technicians and knowledgeable end users. It provides information for the installation and use of the **SUPER** X9SRW motherboard series.

### About This Motherboard

The **SUPER** X9SRW motherboard series supports a single Intel® E5-1600/E5-2600 series processor (2011-pin, Socket R). With the Intel® C600 series chipset built in, the X9SRW Motherboard series offers top-of-the-line system performance and storage capability. Features such as support for up to 256GB of memory, dual 1Gb LAN, eight (8) USB ports, and an IPMI port make the X9SRW series ideal for high end rack-mounted single-processor platforms.

Please refer to our website (<http://www.supermicro.com/products/>) for processor and memory support updates.

\*This product is intended to be installed and serviced by professional technicians.

### Manual Organization

**Chapter 1** describes the features, specifications and performance of the motherboard, and provides detailed information on the Intel Patsburg chipset.

**Chapter 2** provides hardware installation instructions. Read this chapter when installing the processor, memory modules and other hardware components into the system. If you encounter any problems, see **Chapter 3**, which describes troubleshooting procedures for video, memory and system setup stored in the CMOS.

**Chapter 4** includes an introduction to the BIOS, and provides detailed information on running the CMOS Setup utility.

**Appendix A** provides BIOS Error Beep Codes.

**Appendix B** lists software program installation instructions.

## Conventions Used in the Manual:

Special attention should be given to the following symbols for proper installation and to prevent damage done to the components or injury to yourself:

**Danger/Caution:** Instructions to be strictly followed to prevent catastrophic system failure or to avoid bodily injury

**Warning:** Critical information to prevent damage to the components or data loss.

**Important:** Important information given to ensure proper system installation or to relay safety precautions.



**Note:** Additional Information given to differentiate various models or provides information for correct system setup.

## Contacting Supermicro

### Headquarters

Address: Super Micro Computer, Inc.  
980 Rock Ave.  
San Jose, CA 95131 U.S.A.

Tel: +1 (408) 503-8000

Fax: +1 (408) 503-8008

Email: [marketing@supermicro.com](mailto:marketing@supermicro.com) (General Information)  
[support@supermicro.com](mailto:support@supermicro.com) (Technical Support)

Website: [www.supermicro.com](http://www.supermicro.com)

### Europe

Address: Super Micro Computer B.V.  
Het Sterrenbeeld 28, 5215 ML  
's-Hertogenbosch, The Netherlands

Tel: +31 (0) 73-6400390

Fax: +31 (0) 73-6416525

Email: [sales@supermicro.nl](mailto:sales@supermicro.nl) (General Information)  
[support@supermicro.nl](mailto:support@supermicro.nl) (Technical Support)  
[rma@supermicro.nl](mailto:rma@supermicro.nl) (Customer Support)

Website: [www.supermicro.nl](http://www.supermicro.nl)

### Asia-Pacific

Address: Super Micro Computer, Inc.  
3F, No. 150, Jian 1st Rd.  
Zhonghe Dist., New Taipei City 235  
Taiwan (R.O.C)

Tel: +886-(2) 8226-3990

Fax: +886-(2) 8226-3992

Email: [support@supermicro.com.tw](mailto:support@supermicro.com.tw)

Website: [www.supermicro.com.tw](http://www.supermicro.com.tw)

# Table of Contents

## **Preface**

About This Motherboard.....	iii
Manual Organization .....	iii
Conventions Used in the Manual:.....	iv
Contacting Supermicro.....	v

## **Chapter 1 Introduction**

1-1 Overview .....	1-1
1-2 Chipset Overview .....	1-10
1-3 Special Features .....	1-11
1-4 PC Health Monitoring.....	1-11
1-5 ACPI Features.....	1-12
1-6 Power Supply .....	1-12
1-7 Super I/O.....	1-13

## **Chapter 2 Installation**

2-1 Static-Sensitive Devices.....	2-1
Precautions .....	2-1
Unpacking .....	2-1
2-2 Processor and Heatsink Installation.....	2-2
The LGA2011 Socket .....	2-2
Opening the LGA2011 Socket .....	2-3
Installing the LGA2011 Processor .....	2-5
Installing a Passive CPU Heatsink .....	2-7
Removing the Heatsink.....	2-8
2-3 Installing DDR3 Memory .....	2-9
DIMM Installation .....	2-9
Removing Memory Modules .....	2-9
Memory Support.....	2-10
Memory Population Guidelines .....	2-11
2-4 Motherboard Installation.....	2-12
Tools Needed .....	2-12
Location of Mounting Holes .....	2-12
Installing the Motherboard .....	2-13
2-5 Connectors/IO Ports.....	2-14
Motherboard I/O Backpanel.....	2-14
Universal Serial Bus (USB).....	2-15
Ethernet Ports .....	2-16

	Serial Port.....	2-16
	Video (VGA/CRT) Connector .....	2-16
	Front Control Panel.....	2-17
	Front Control Panel Pin Definitions.....	2-18
	NMI Button .....	2-18
	Power LED .....	2-18
	HDD LED.....	2-18
	NIC1/NIC2 (LAN1/LAN2).....	2-19
	Overheat (OH)/Fan Fail/UID LED .....	2-19
	Reset Button .....	2-20
	Power Button .....	2-20
2-6	Connecting Cables & Optional Devices.....	2-21
	ATX Main PWR (JPW1) & CPU PWR Connectors (JPW2).....	2-21
	Fan Headers (FAN1~5).....	2-22
	Chassis Intrusion (JL1) .....	2-22
	Speaker (JD1) .....	2-23
	Legacy Wake-On-LAN Header (JSTBY).....	2-23
	Power Supply I <sup>2</sup> C (JPI2C).....	2-24
	DOM PWR Connector (JSD1).....	2-24
	T-SGPIO 1/2 & 3-SGPIO 1/2 Headers.....	2-25
	TPM Header (JTPM1) .....	2-25
	Overheat/Fan Fail LED (JOH1).....	2-26
2-7	Jumper Settings .....	2-27
	Explanation of Jumpers .....	2-27
	LAN Port Enable/Disable (JPL1).....	2-27
	Clear CMOS (JBT1).....	2-28
	PCI Slot SMB Enable (JI2C2/JI2C3).....	2-28
	Watch Dog Reset (JWD).....	2-29
	BMC Enable/Disable (JPB1).....	2-29
	Onboard VGA Enable (JPG1).....	2-30
	Unit Identifier Switch (UID).....	2-30
	ME Recovery (JPME1).....	2-31
	VRM SMB Clock/Data (J29/J30).....	2-31
2-8	Onboard Indicators.....	2-32
	LAN Port LEDs.....	2-32
	Onboard Power LED (LE1) .....	2-32
	Rear Unit ID LED (LE2) .....	2-33
	IPMI Heartbeat LED (BD1) .....	2-33

	Onboard Standby Power LED (LED2) .....	2-33
2-9	SATA Connections.....	2-34
	SATA/SAS Connections .....	2-34

**Chapter 3 Troubleshooting**

3-1	Troubleshooting Procedures .....	3-1
	Before Power On .....	3-1
	No Power .....	3-1
	No Video .....	3-2
	Memory Errors .....	3-2
	When You Lose the System's Setup Configuration.....	3-2
3-2	Technical Support Procedures .....	3-3
3-3	Frequently Asked Questions .....	3-4
3-4	Battery Removal and Installation .....	3-6
	Battery Removal.....	3-6
	Proper Battery Disposal .....	3-6
	Battery Installation.....	3-6
3-5	Returning Merchandise for Service.....	3-7

**Chapter 4 BIOS**

4-1	Introduction.....	4-1
4-2	Main Setup.....	4-2
4-3	Advanced Setup Configurations.....	4-4
4-4	Event Logs .....	4-19
4-5	IPMI .....	4-21
4-6	Boot Settings.....	4-23
4-8	Security Settings .....	4-24
4-8	Save & Exit .....	4-25

**Appendix A BIOS Error Beep Codes**

A-1	BIOS Error Beep Codes .....	A-1
-----	-----------------------------	-----

**Appendix B Software Installation Instructions**

B-1	Installing Drivers.....	B-1
B-2	Configuring SuperDoctor <sup>®</sup> III.....	B-2



# Chapter 1

## Introduction

### 1-1 Overview

#### Checklist

Congratulations on purchasing your computer motherboard from an acknowledged leader in the industry. Supermicro boards are designed with the utmost attention to detail to provide you with the highest standards in quality and performance.

Please check that the following items have all been included with your motherboard. If anything listed here is damaged or missing, contact your retailer.

The following items are included in the retail box:

- One (1) Supermicro Mainboard
- Six (6) SATA cables
- One (1) I/O shield
- One (1) Supermicro CD containing drivers and utilities



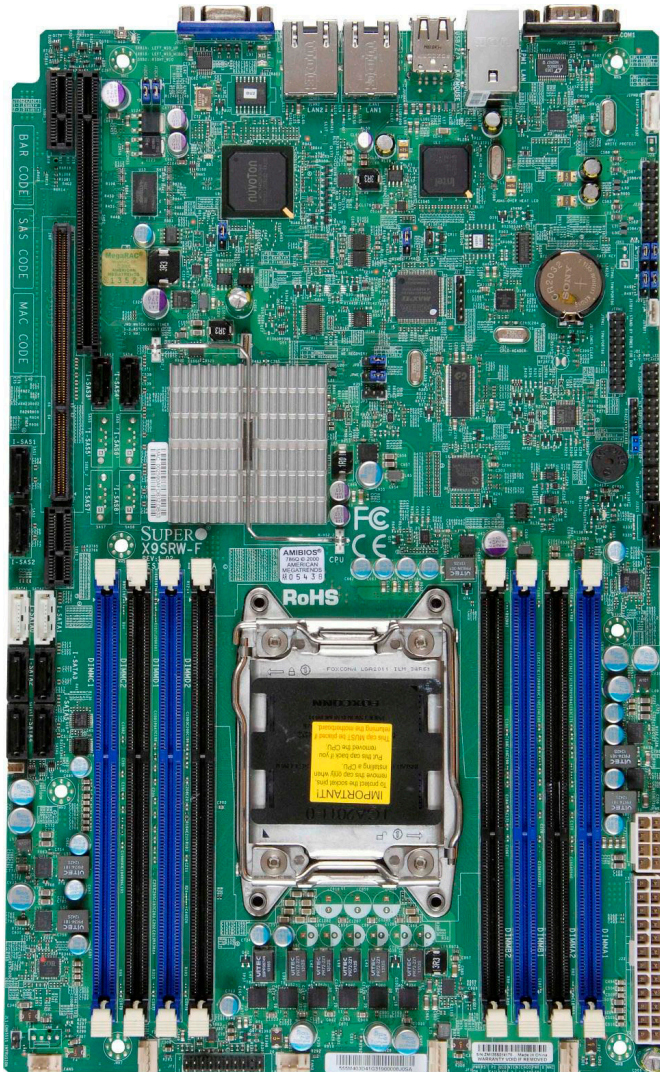
**Note:** For your system to work properly, please follow the links below to download all necessary drivers/utilities and the user's manual for your motherboard.


- SMCI product manuals: <http://www.supermicro.com/support/manuals/>
- Product Drivers and utilities: <ftp://ftp.supermicro.com/>

**Warning:** For safety considerations, please refer to the complete list of safety warnings posted on the Supermicro website at [http://www.supermicro.com/about/policies/safety\\_information.cfm](http://www.supermicro.com/about/policies/safety_information.cfm).

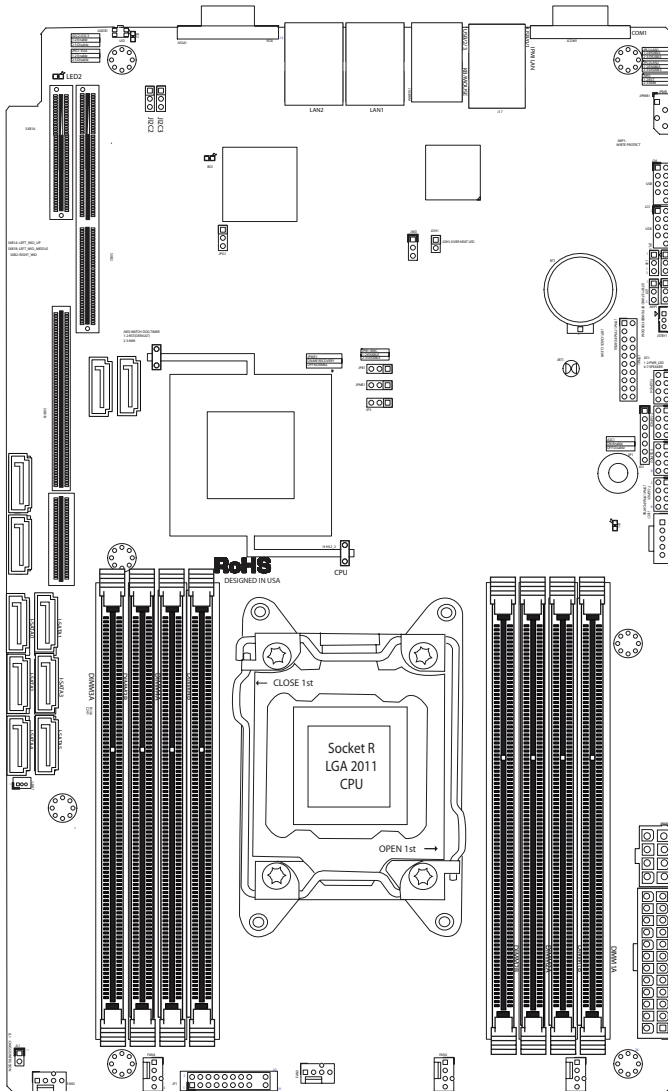
If you have any questions, please contact our support team at [support@supermicro.com](mailto:support@supermicro.com).

SUPER Motherboard Image



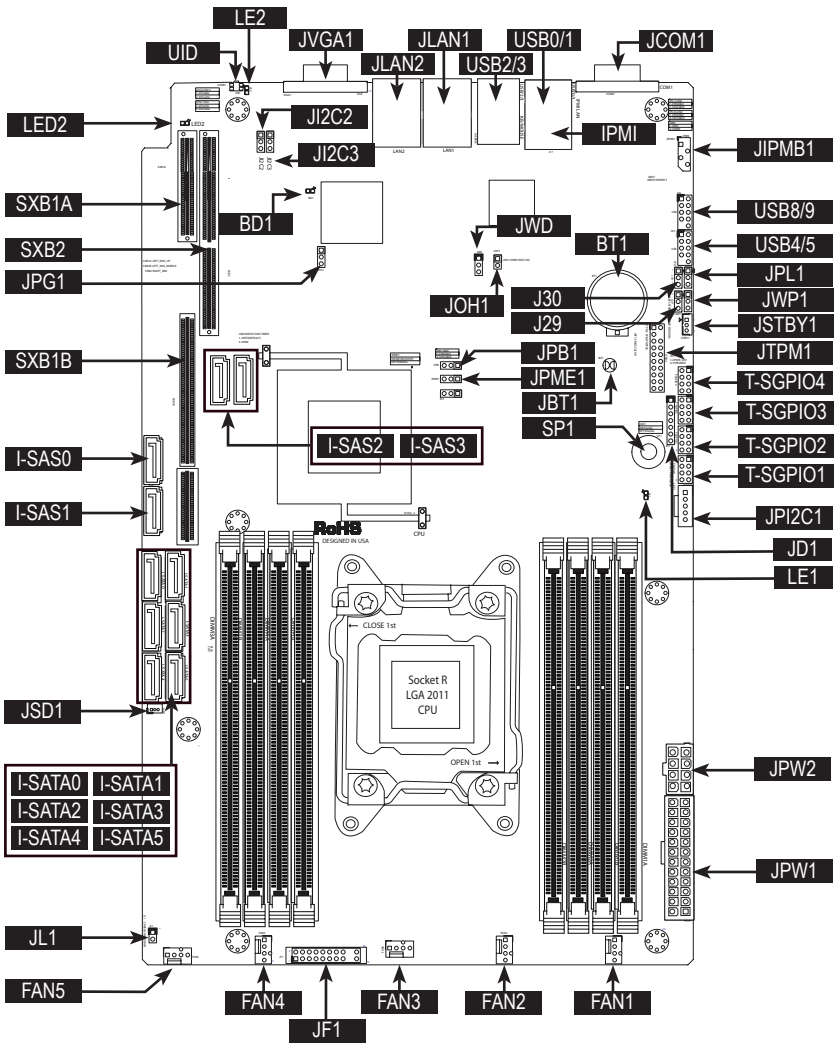
 **Note:** All graphics shown in this manual were based upon the latest PCB Revision available at the time of publishing of the manual. The motherboard you've received may or may not look exactly the same as the graphics shown in this manual.

## Motherboard Layout

Important Notes to the User

- See Chapter 2 for detailed information on jumpers, I/O ports and JF1 front panel connections.
- "■" indicates the location of "Pin 1".
- Jumpers not indicated are for testing only.

Motherboard Quick Reference



<b>Motherboard Headers/Connectors</b>	
<b>Connector</b>	<b>Description</b>
I-SAS0~I-SAS3 (SATA 3.0)	I-SATA 2.0 ports (supports up to 3Gb/s)
I-SATA0, I-SATA1 (SATA 3.0) I-SATA2~I-SATA5 (SATA 2.0)	Internal SATA ports (I-SATA0 and I-SATA1 supports up to 6Gb/s), I-SATA2~I-SATA5 supports up to 3Gb/s)
FAN1~FAN5	Headers for system cooling fans
JSD1	SATA DOM (Disk On Module) Power Connector
JL1	Chassis Intrusion Header
JF1	Front Panel Control Header
JPW1	24-pin Main ATX Power Connector
JPW2	8-pin Secondary Power Connector
JD1	Power LED / Speaker Header (Pins 4~7: External Speaker)
JPI2C1	Power Supply SMBus I2C Header
T-SGPIO1~4	Serial Link General Purpose I/O Headers (5V Gen1/Gen 2)
JTPM1	Trusted Platform Module (TPM) Header
JSTBY1	Legacy Wake On LAN Header
USB0/1, USB2/3	Back panel USB 2.0 ports
USB4/5, USB4/5	Internal USB 2.0 headers
JIPMB	System Management Bus Header for the IPMI Slot
JCOM1	Back panel Serial Port Connector
IPMI	Back panel IPMI LAN Port
JLAN1/JLAN2	Back panel LAN1 / LAN2 Ethernet Ports
JVGA1	Back panel VGA Port
JOH1	Overheat LED/Fan Fail
BT1	System Battery
SP1	Internal Speaker / Buzzer
SXB1A, SXB1B	Slot for Supemicro riser card P/N RSC-R1UW-2E16
SXB2	Slot for Supemicro riser card P/N RSC-R1UW-E8R

<b>Motherboard Jumpers</b>		
<b>Jumper</b>	<b>Description</b>	<b>Default</b>
J12C2/J12C3	SMB to PCI Slots	On (Enabled)
JPG1	Onboard VGA Enable	Pins 1-2 (On)
JPL1	LAN1 Enable	Pins 1-2 (Enabled)
JPME1	Intel ME Mode Select	Pins 1-2 (Normal)
UID	Unit ID Switch	Off (Disabled)
JWD	Watch Dog Timer Reset	Pins 1-2 (Reset)
JPB1	IPMI/BMC Enable	Pins 1-2 (Enabled)
JWP1	BIOS Write Protect	Pins 1-2 (Normal)
JBT1	CMOS Clear	See Chapter 2
J29	VRM SMB Clock (to BMC or PCH)	Pins 1-2 (BMC, Normal)
J30	VRAM SMB Data (to BMC or PCH)	Pins 1-2 (BMC, Normal)

<b>Motherboard LED Indicators</b>			
<b>LED</b>	<b>Description</b>	<b>Color/State</b>	<b>Status</b>
LED2	Standby 3.3V Power	Green/Steady	Standby Power
LE1	Power LED	Green/Steady	System is On/Running
LE2	UID LED	Blue/Steady	UID Switch is On
BD1	IPMI Heartbeat	Green/Blinking	IPMI is enabled

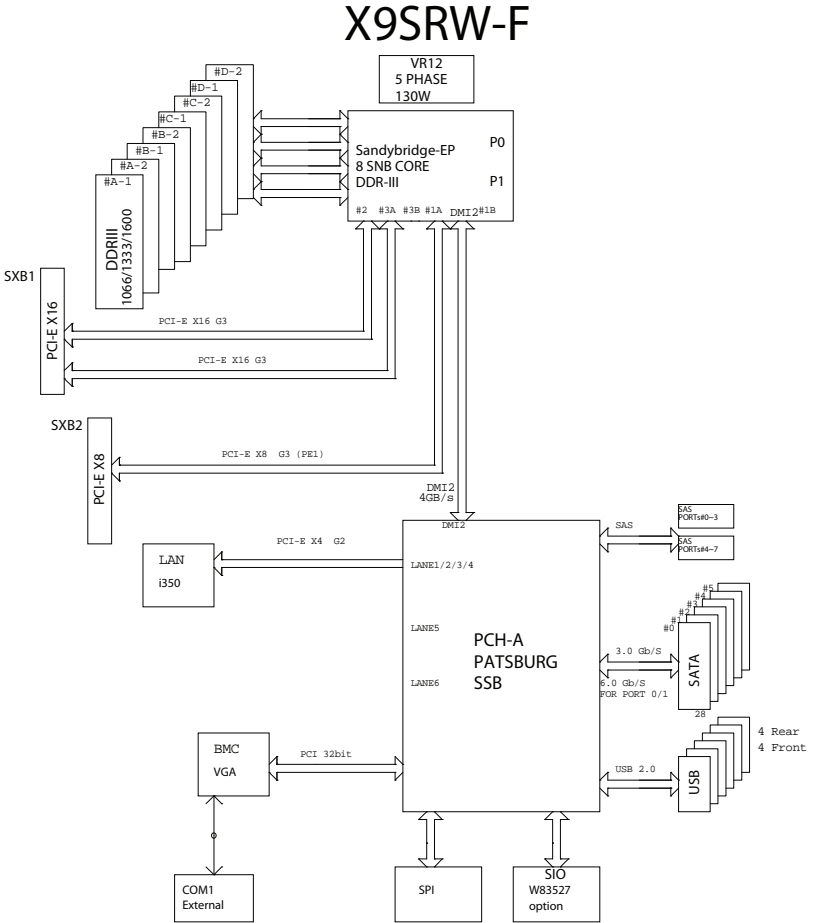
## Motherboard Features

<b>CPU</b>	Supports a single Intel® E5-1600/E5-2600 series processor (2011-pin, Socket R)	
<b>Memory</b>	Eight (8) DIMM slots support up to 256GB of DDR3 Unbuffered, ECC RDIMM memory or 64GB of DDR3 Unbuffered, ECC/non-ECC UDIMM memory, 1066/1333/1600MHz..	
	Supports dual-channel memory bus	
	<b>DIMM sizes</b>	
	UDIMM	1GB, 2GB, 4GB, 8GB, 16GB
	RDIMM	2GB, 4GB, 8GB, 16GB, 32GB, 64GB
<b>Chipset</b>	Intel® C600-D or C600-A	
<b>Expansion</b>	<b>PCI Slots (using riser cards)</b>	
	Two (2) PCI-Express 3.0 x16 Slot, using Supermicro riser card P/N RSC-R1UW-2E16	
	One (1) PCI-Express 2.0 x8 Slot, using Supermicro riser card P/N RSC-R1UW-E8R	
<b>Network Connections</b>	<b>Integrated LAN</b>	
	One (1) Intel i350 Dual Gb LAN	
<b>I/O Devices</b>	<b>SATA Connections</b>	
	SATA	Two SATA 3.0 ports (6Gb/s) RAID (0,1)
		Four SATA 2.0 ports (3Gb/s) RAID (0,1,10,5)
	SCU	Four SATA ports (3Gb/s) via SCU RAID (0,1,10,5)
	<b>USB Devices</b>	
	Two (2) USB 2.0 ports on the rear I/O panel	
	Six (6) USB 2.0 headers for front panel access	
	<b>Serial (COM) Ports</b>	
	One (1) Fast UART 16550 connection on the I/O back panel (COM1)	
	<b>BIOS</b>	32 Mb SPI AMI BIOS® SM Flash BIOS
Plug and Play APM 1.2, DMI 2.3, PCI 2.2, ACPI 1.0/2.0, USB Keyboard and SMBIOS 2.3		
<b>Power Configuration</b>	ACPI/ACPM Power Management	
	Wake On LAN (WOL) Header	
	Keyboard Wake-up from Soft-Off	

	CPU Fan Auto-off in Sleep Mode
	Power-on mode for AC power recovery
<b>PC Health Monitoring</b>	<b>CPU &amp; Chassis Monitoring</b>
	Onboard voltage monitors for CPU core, +1.8V, +3.3V, +5V, +/-12V, +3.3V Stdby, +5V Stdby, VBAT, Memory, Chipset
	CPU 5-phase switching voltage regulator
	CPU/System overheat LED and control
	CPU Thermal Trip support
	CPU & Chassis Environment Monitor
	<b>Fan Control</b>
	Fan status monitoring with firmware 4-pin (Pulse Width Modulation) fan speed control
	Low noise fan speed control
<b>System Management</b>	PECI 2.0 support
	System resource alert via SuperDoctor® III
	SuperDoctor® III, Watch Dog, NMI
	Chassis Intrusion header and detection
<b>CD Utilities</b>	BIOS flash upgrade utility
	Drivers and software for Intel® C204 chipset utilities
<b>Other</b>	ROHS 6/6 (Full Compliance, Lead Free)
	TPM 1.2 header on board
	DOM (Disk on Module) Power Connector Support
	FCC B, EuP Lot 6, WHQL
<b>Dimensions</b>	WIO form factor (8.15" x 13.05")



## Motherboard Block Diagram



System Block Diagram



Note: This is a general block diagram and may not exactly represent the features on your motherboard. See the Motherboard Features pages for the actual specifications of each motherboard.

## 1-2 Chipset Overview

The Intel® C600 series is a single chip solution that is designed for dedicated servers and workstations. It supports high-speed SAS, SATA and advanced requirements for Intel® Xeon platforms.

### Intel C600 Chipset Features

- Direct Media Interface (up to 5 Gb/s transfer, Full Duplex)
- Intel® Matrix Storage Technology and Intel Rapid Storage Technology
- Intel® I/O Virtualization (VT-d) Support
- Intel® Trusted Execution Technology Support
- PCI Express 2.0 Interface (up to 5.0 GT/s)
- PCI Express 3.0 Interface (up to 8.0 GT/s)
- 4 SATA 2.0 ports, 2 SATA 3.0 ports (up to 6Gb/s)
- Advanced Host Controller Interface (AHCI)

## 1-3 Special Features

### Recovery from AC Power Loss

Basic I/O System (BIOS) provides a setting for you to determine how the system will respond when AC power is lost and then restored to the system. You can choose for the system to remain powered off (in which case you must press the power switch to turn it back on), or for it to automatically return to a power-on state. See the Advanced BIOS Setup section to change this setting. The default setting is **Last State**.

## 1-4 PC Health Monitoring

This section describes the PC health monitoring features of the board. All have an onboard System Hardware Monitoring chip that supports PC health monitoring. An onboard voltage monitor will scan these onboard voltages continuously: 1.8V, +3.3V, +5V, +/-12V, +3.3V Stdbby, +5V Stdbby, VBAT, Memory, Chipset. Once a voltage becomes unstable, a warning is given, or an error message is sent to the screen. The user can adjust the voltage thresholds to define the sensitivity of the voltage monitor.

### Fan Status Monitor with Firmware Control

PC health monitoring in the BIOS can check the RPM status of the cooling fans. The onboard CPU and chassis fans are controlled by Thermal Management via BIOS (under the Hardware Monitoring section in the Advanced Setting).

### Environmental Temperature Control

The thermal control sensor monitors the CPU temperature in real time and will turn on the thermal control fan whenever the CPU temperature exceeds a user-defined threshold. The overheat circuitry runs independently from the CPU. Once the thermal sensor detects that the CPU temperature is too high, it will automatically turn on the thermal fans to prevent the CPU from overheating. The onboard chassis thermal circuitry can monitor the overall system temperature and alert the user when the chassis temperature is too high.



**Note:** To avoid possible system overheating, please be sure to provide adequate airflow to your system.

### System Resource Alert

This feature is available when the system is used with SuperDoctor® III in the Windows OS environment or used with SuperDoctor II in Linux. SuperDoctor

is used to notify the user of certain system events. For example, you can also configure SuperDoctor to provide you with warnings when the system temperature, CPU temperatures, voltages and fan speeds go beyond predefined thresholds.

## 1-5 ACPI Features

ACPI stands for Advanced Configuration and Power Interface. The ACPI specification defines a flexible and abstract hardware interface that provides a standard way to integrate power management features throughout a PC system, including its hardware, operating system and application software. This enables the system to automatically turn on and off peripherals such as CD-ROMs, network cards, hard disk drives and printers.

In addition to enabling operating system-directed power management, ACPI also provides a generic system event mechanism for Plug and Play, and an operating system-independent interface for configuration control. ACPI leverages the Plug and Play BIOS data structures, while providing a processor architecture-independent implementation that is compatible with Windows XP, Windows Vista and Windows 2008 Operating Systems.

### Slow Blinking LED for Suspend-State Indicator

When the CPU goes into a suspend state, the chassis power LED will start to blink to indicate that the CPU is in suspend mode. When the user presses any key, the CPU will "wake up", and the LED will automatically stop blinking and remain on.

## 1-6 Power Supply

As with all computer products, a stable power source is necessary for proper and reliable operation. It is even more important for processors that have high CPU clock rates.

This motherboard accommodates 24-pin ATX power supplies. Although most power supplies generally meet the specifications required by the CPU, some are inadequate. In addition, the 12V 8-pin power connector located at JPW2 is also required to ensure adequate power supply to the system. Also your power supply must supply 1.5A for the Ethernet ports.

**Warning:** 1. To prevent damage to the power supply or motherboard, please use a power supply that contains a 24-pin and a 8-pin power connectors. Be sure to connect these connectors to the 24-pin (JPW1) and the 8-pin (JPW2) power connectors on the motherboard. Failure in doing so will void the manufacturer warranty on your power supply and motherboard.

2. To provide adequate power to SATA devices, please connect the SATA DOM PWR connector (JWF1) to the power supply.

It is strongly recommended that you use a high quality power supply that meets ATX power supply Specification 2.02 or above. It must also be SSI compliant. (For more information, please refer to the web site at <http://www.ssiforum.org/>). Additionally, in areas where noisy power transmission is present, you may choose to install a line filter to shield the computer from noise. It is recommended that you also install a power surge protector to help avoid problems caused by power surges.

## 1-7 Super I/O

The Super I/O supports one high-speed, 16550 compatible serial communication ports (UARTs). Each UART includes a 16-byte send/receive FIFO, a programmable baud rate generator, complete modem control capability and a processor interrupt system. Both UARTs provide legacy speed with baud rate of up to 115.2 Kbps as well as an advanced speed with baud rates of 250 K, 500 K, or 1 Mb/s, which support higher speed modems.

The Super I/O provides functions that comply with ACPI (Advanced Configuration and Power Interface), which includes support of legacy and ACPI power management through an SMI or SCI function pin. It also features auto power management to reduce power consumption.

## Chapter 2

### Installation

#### 2-1 Static-Sensitive Devices

Electrostatic-Discharge (ESD) can damage electronic components. To avoid damaging your system board, it is important to handle it very carefully. The following measures are generally sufficient to protect your equipment from ESD.

##### Precautions

- Use a grounded wrist strap designed to prevent static discharge.
- Touch a grounded metal object before removing the board from the antistatic bag.
- Handle the board by its edges only; do not touch its components, peripheral chips, memory modules or gold contacts.
- When handling chips or modules, avoid touching their pins.
- Put the motherboard and peripherals back into their antistatic bags when not in use.
- For grounding purposes, make sure your computer chassis provides excellent conductivity between the power supply, the case, the mounting fasteners and the motherboard.
- Use only the correct type of onboard CMOS battery. Do not install the onboard battery upside down to avoid possible explosion.

##### Unpacking

The motherboard is shipped in antistatic packaging to avoid static damage. When unpacking the board, make sure that the person handling it is static protected.

## 2-2 Processor and Heatsink Installation

**Warning:** When handling the processor package, avoid placing direct pressure on the label area.

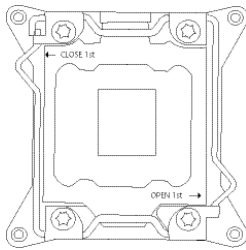


**Notes:**

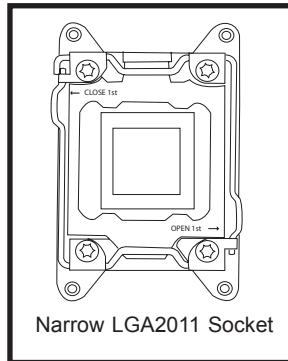
- Always connect the power cord last, and always remove it before adding, removing or changing any hardware components. Make sure that you install the processor into the CPU socket before you install the CPU heatsink.
- If you buy a CPU separately, make sure that you use an Intel-certified multi-directional heatsink only.
- Make sure to install the system board into the chassis before you install the CPU heatsink.
- When receiving a server board without a processor pre-installed, make sure that the plastic CPU socket cap is in place and none of the socket pins are bent; otherwise, contact your retailer immediately.
- Refer to the Supermicro website for updates on CPU support.
- Please proceed to the following pages for instructions on processor and heatsink installation.

### The LGA2011 Socket

Currently, there are two kinds of LGA2011 socket mounted on Supermicro motherboards, a 'regular' and a 'narrow' sized socket. Though they may look slightly different from one another, the labeling, operation of the hardware, mounting of the CPU are similar on both types. The 'narrow' type socket is installed on this motherboard (X9SRW-F)



Regular LGA2011 Socket

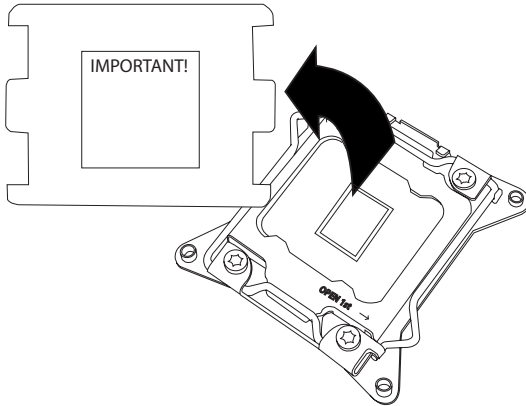


Narrow LGA2011 Socket

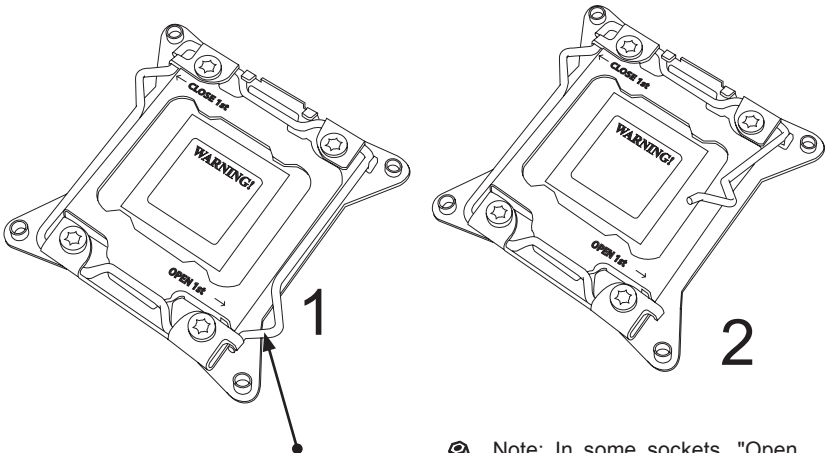
## Opening the LGA2011 Socket

The instructions on the following pages will show the 'regular' type socket. However, they also apply to the 'narrow' type as well. The drawings are provided for illustration purposes only.

1. Before opening the LGA2011 socket, remove the black 'IMPORTANT!' plastic protective cap using your fingers and save it for future use.



2. There are two load levers on the LGA2011 socket. To open the socket cover, first press and release the load lever labeled 'Open 1st'.



Press down on Load  
Lever 'Open 1st'

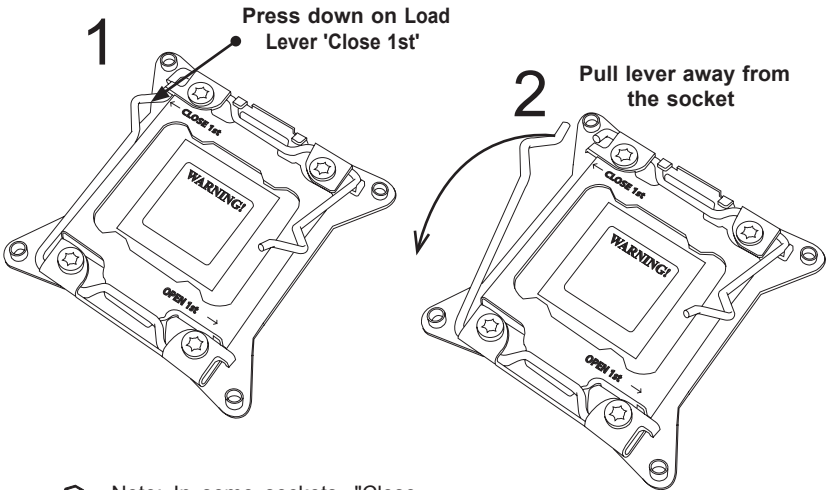


Note: In some sockets, "Open 1st" is designated by an unlocked padlock icon:





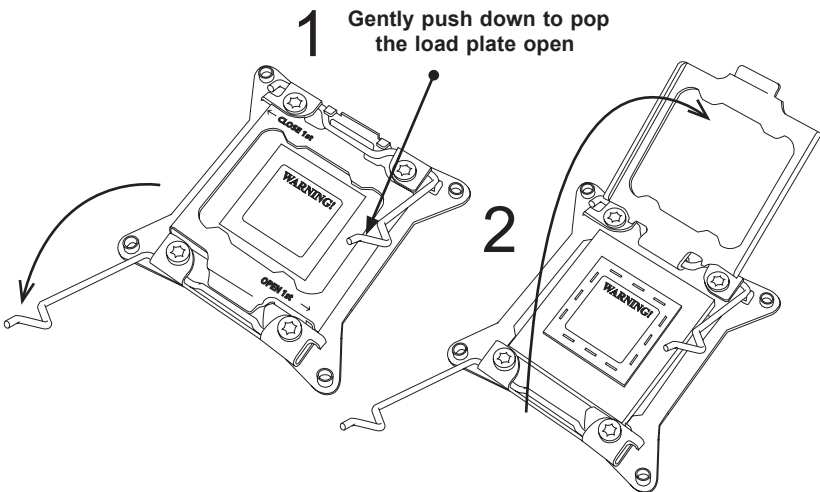
3. Press the second load lever labeled 'Close 1st' to release the load plate which covers the CPU socket from its locking position.



Note: In some sockets, "Close 1st" is designated by a locked padlock icon:

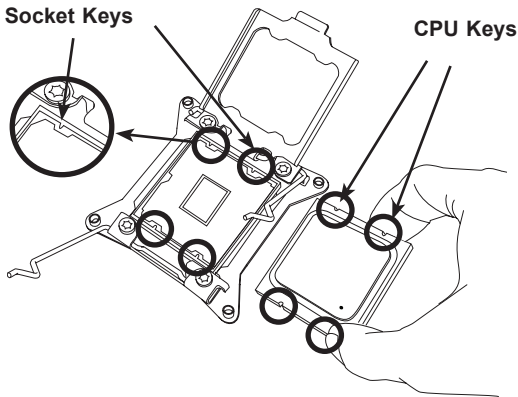


4. With the 'Close 1st' lever fully retracted, gently push down on the 'Open 1st' lever to open the load plate. Lift the load plate to open it completely.

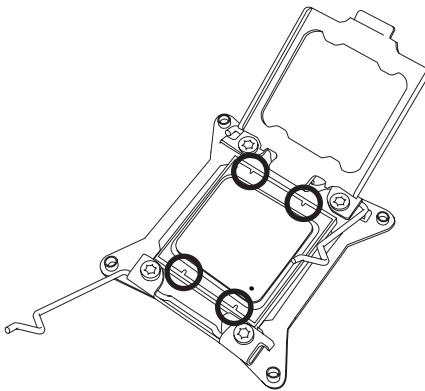


## Installing the LGA2011 Processor

1. Use your thumb and index finger to hold the CPU on its edges. Align the CPU keys (semi-circle cutouts) against the socket keys.

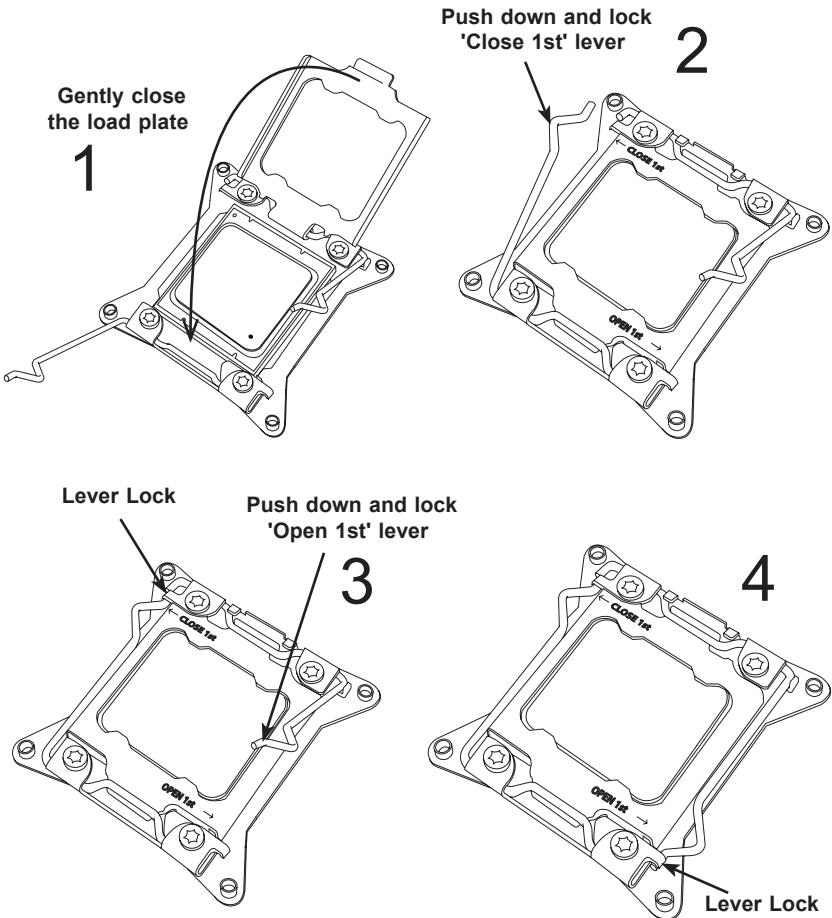


2. Once it is aligned, carefully lower the CPU straight down into the socket. (Do not drop the CPU on the socket. Do not move the CPU horizontally or vertically.)



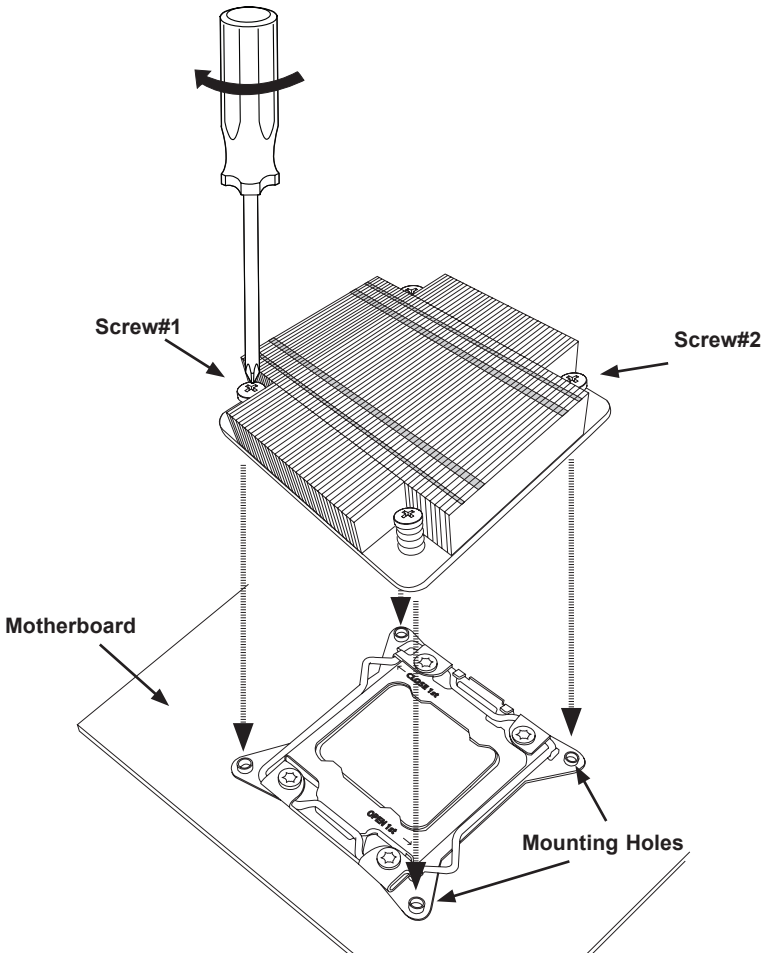
**Warning:** You can only install the CPU inside the socket in one direction. Make sure that it is properly inserted into the CPU socket before closing the load plate. If it doesn't close properly, do not force it as it may damage your CPU. Instead, open the load plate again and double-check that the CPU is aligned properly.

3. Once it is aligned, carefully lower the CPU straight down into the socket. (Do not drop the CPU on the socket. Do not move the CPU horizontally or vertically.)
4. Do not rub the CPU against the surface or against any pins of the socket to avoid damaging the CPU or the socket.)
5. With the CPU inside the socket, inspect the four corners of the CPU to make sure that the CPU is properly installed.
6. To close and lock the socket, close the load plate with the CPU. Lock the 'Close 1st' lever first, then lock the 'Open 1st' lever second. Use your thumb to gently push the load levers down to the lever locks.



## Installing a Passive CPU Heatsink

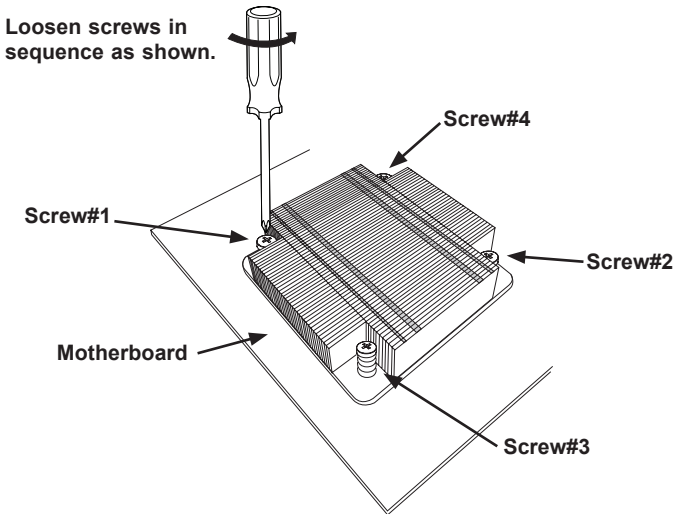
1. Do not apply any thermal grease to the heatsink or the CPU die -- the required amount has already been applied.
2. Place the heatsink on top of the CPU so that the four mounting holes are aligned with those on the Motherboard's and the Heatsink Bracket underneath.
3. Screw in two diagonal screws (i.e., the #1 and the #2 screws) until just snug (-do not over-tighten the screws to avoid possible damage to the CPU.)
4. Finish the installation by fully tightening all four screws.



## Removing the Heatsink

**Warning:** We do not recommend that the CPU or the heatsink be removed. However, if you do need to uninstall the heatsink, please follow the instructions below to uninstall the heatsink to prevent damage done to the CPU or the CPU socket.

1. Unscrew the heatsink screws from the motherboard in the sequence as shown in the illustration below.
2. Gently wriggle the heatsink to loosen it from the CPU. (Do not use excessive force when wriggling the heatsink!)
3. Once the CPU is loosened, remove the CPU from the CPU socket.
4. Clean the surface of the CPU and the heatsink, removing the used thermal grease. Reapply the proper amount of thermal grease on the surface before re-installing the CPU and the heatsink.



## 2-3 Installing DDR3 Memory



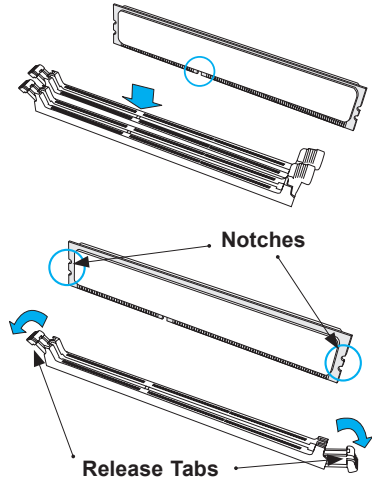
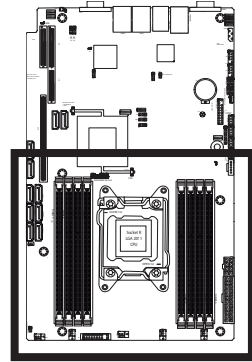
**Note:** Check the Supermicro website for recommended memory modules.

### CAUTION

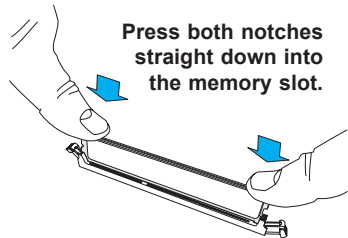
Exercise extreme care when installing or removing DIMM modules to prevent any possible damage.

### DIMM Installation

1. Insert the desired number of DIMMs into the memory slots, starting with DIMMA1, DIMM (see the next page for the location). For best performance, please use the memory modules of the same type and speed in the same bank.
2. Push the release tabs outwards on both ends of the DIMM slot to unlock it.
3. Align the key of the DIMM module with the receptive point on the memory slot.
4. Align the notches on both ends of the module against the receptive points on the ends of the slot.
5. Use two thumbs together to press the notches on both ends of the module straight down into the slot until the module snaps into place.
6. Press the release tabs to the lock positions to secure the DIMM module into the slot.



Press both notches straight down into the memory slot.



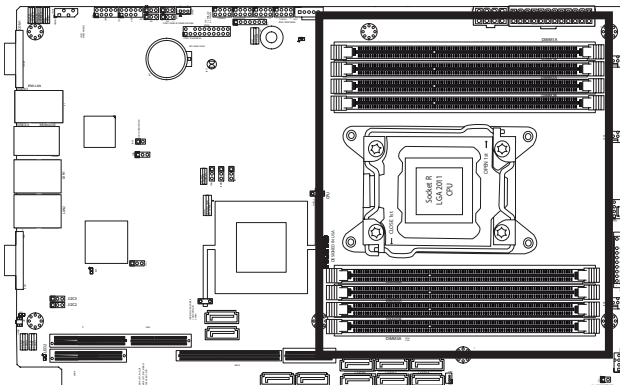
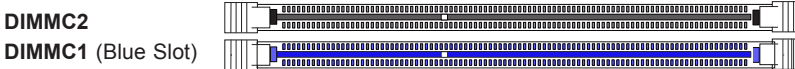
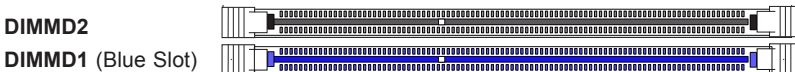
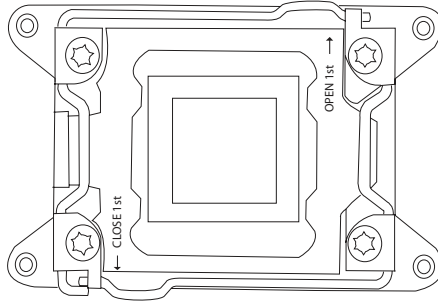
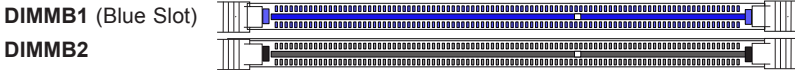
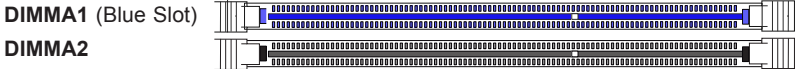
### Removing Memory Modules

Reverse the steps above to remove the DIMM modules from the motherboard.

## Memory Support

The X9SRW Motherboard supports up to 256GB of 1600/1333/1066/800 MHz ECC/Non-ECC DDR3 DIMMs in eight (8) memory slots (UDIMM/RDIMM). Populating these DIMM modules with a pair of memory modules of the same type and same size will result in interleaved memory, which will improve memory performance. Please refer to the table on the next page.

Edge of the motherboard 



## Memory Population Guidelines

When installing memory modules, the DIMM slots should be populated in the following order: DIMMA1, DIMMB1, DIMMC1, DIMMD1 then DIMMA2, DIMMB2, DIMMC2, DIMMD2. Populate the blue-colored slots first.

- Always use DDR3 DIMM modules of the same size, type and speed.
- Mixed DIMM speeds can be installed. However, all DIMMs will run at the speed of the slowest DIMM.
- The motherboard will support odd-numbered modules installed (1, 3, 5, or 7 modules). However, for best memory performance, install DIMM modules in pairs.

Recommended Population (Balanced)								
DIMMA1	DIMMB1	DIMMC1	DIMMD1	DIMMA2	DIMMB2	DIMMC2	DIMMD2	Total System Memory
2GB	2GB							4GB
2GB	2GB	2GB	2GB					8GB
2GB	2GB	2GB	2GB	2GB	2GB			12GB
2GB	2GB	2GB	2GB	2GB	2GB	2GB	2GB	16GB
4GB	4GB							8GB
4GB	4GB	4GB	4GB					16GB
4GB	4GB	4GB	4GB	4GB	4GB			24GB
4GB	4GB	4GB	4GB	4GB	4GB	4GB	4GB	32GB
8GB	8GB							16GB
8GB	8GB	8GB	8GB					32GB
8GB	8GB	8GB	8GB	8GB	8GB			64GB
8GB	8GB	8GB	8GB	8GB	8GB	8GB	8GB	128GB
16GB	16GB							32GB
16GB	16GB	16GB	16GB					64GB
16GB	16GB	16GB	16GB	16GB	16GB			96GB
16GB	16GB	16GB	16GB	16GB	16GB	16GB	16GB	128GB
32GB	32GB							64GB
32GB	32GB	32GB	32GB					128GB
32GB	32GB	32GB	32GB	32GB	32GB			192GB
32GB	32GB	32GB	32GB	32GB	32GB	32GB	32GB	256GB



**Note:** Up to 256GB of memory are supported using ECC QR (Quad Rank or 4-Rank) registered DIMM technology at 1600/1333/1066/800 MHz. Up to 64GB of memory are supported using non-ECC UDIMMs.



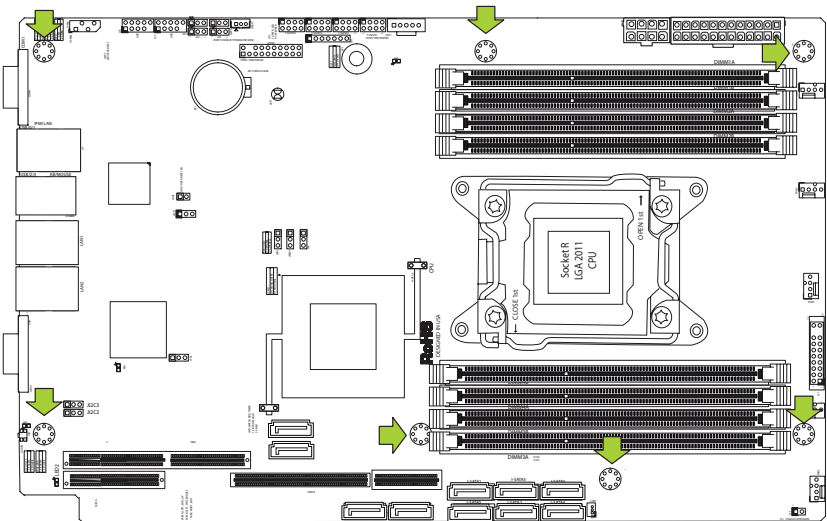
## 2-4 Motherboard Installation

All motherboards have standard mounting holes to fit different types of chassis. Make sure that the locations of all the mounting holes for both motherboard and chassis match. Although a chassis may have both plastic and metal mounting fasteners, metal ones are highly recommended because they ground the motherboard to the chassis. Make sure that the metal standoffs click in or are screwed in tightly. Then use a screwdriver to secure the motherboard onto the motherboard tray.

### Tools Needed



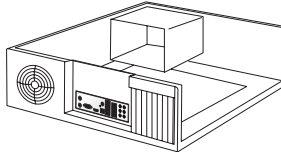
### Location of Mounting Holes



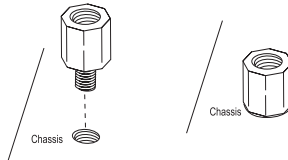
**Caution:** 1) To prevent damage to the motherboard and its components, please do not use a force greater than 8 lb/inch on each mounting screw during motherboard installation. 2) Some components are very close to the mounting holes. Please take precautionary measures to avoid damaging these components when installing the motherboard to the chassis.

## Installing the Motherboard

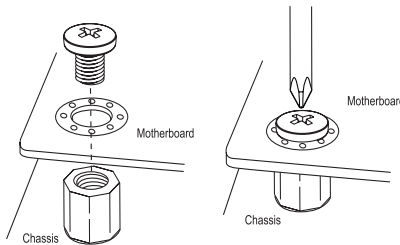
1. Install the I/O shield into the chassis.



2. Locate the mounting holes on the motherboard.
3. Locate the matching mounting holes on the chassis. Align the mounting holes on the motherboard against the mounting holes on the chassis.
4. Install standoffs in the chassis as needed.



5. Install the motherboard into the chassis carefully to avoid damaging motherboard components.
6. Using the Philips screwdriver, insert a Pan head #6 screw into a mounting hole on the motherboard and its matching mounting hole on the chassis.



7. Repeat Step 5 to insert #6 screws into all mounting holes.
8. Make sure that the motherboard is securely placed in the chassis.

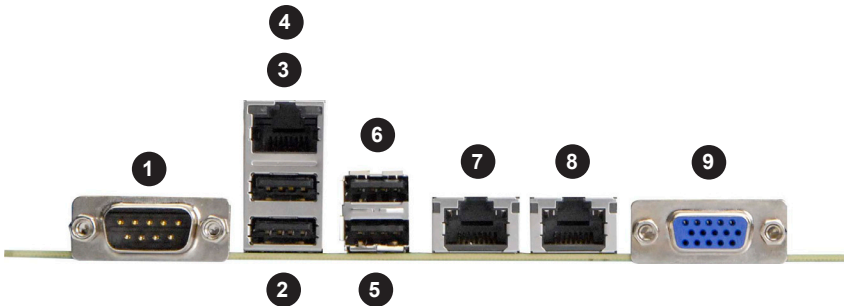
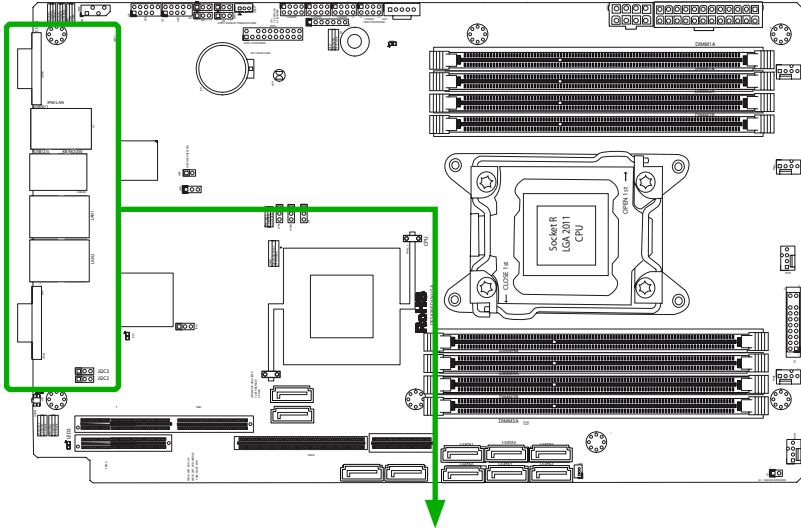


**Note:** Images displayed are for illustration only. Your chassis or components might look different from those shown in this manual.

## 2-5 Connectors/I/O Ports

The I/O ports are color coded in conformance with the PC 99 specification. See the figure below for the colors and locations of the various I/O ports.

### Motherboard I/O Backpanel



Motherboard I/O Back Panel		
1. COM 1	5. USB 2.0 Port 2	9. VGA Port
2. USB 2.0 Port 1	6. USB 2.0 Port 3	
3. USB 2.0 Port 0	7. LAN 1	
4. IPMI	8. LAN 2	



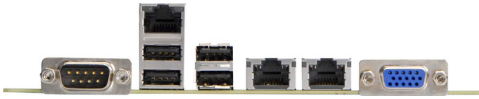
**Note:** Any of the USB ports above may be used for USB keyboard and/or mouse support.

## Universal Serial Bus (USB)

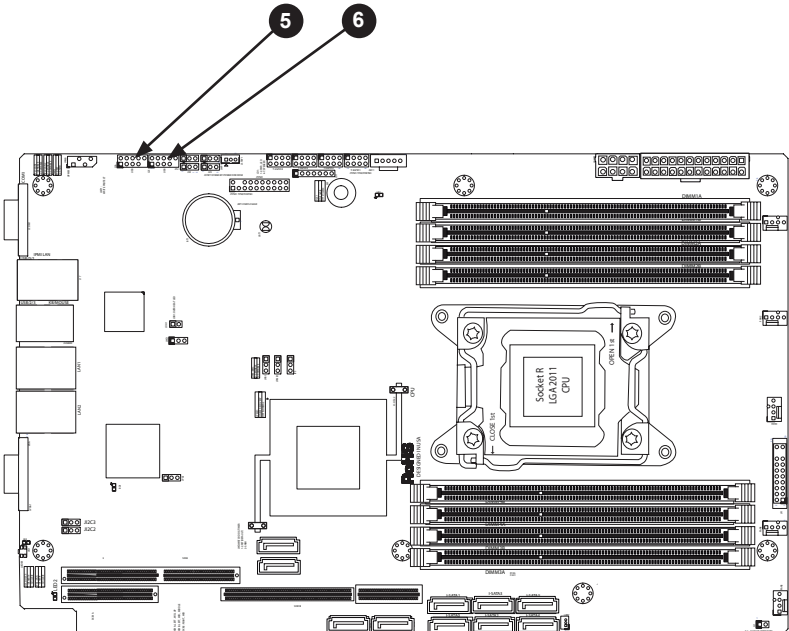
There are four (4) Universal Serial Bus (USB) 2.0 ports located on the I/O back panel, which may be used to plug in a USB keyboard and/or mouse. There are also four (4) USB 2.0 ports on two headers that can be used to provide front chassis access using separate USB cables (not included). See the tables below for pin definitions.

Front Panel USB (2.0) Header Pin Definitions			
Pin #	Definition	Pin #	Definition
1	+5V	2	+5V
3	USB_PN2	4	USB_PN3
5	USB_PP2	6	USB_PP3
7	Ground	8	Ground
9	Key	10	Ground

Back Panel USB (2.0) Pin Definitions			
Pin#	Definition	Pin#	Definition
1	+5V	5	+5V
2	USB_PN1	6	USB_PN0
3	USB_PP1	7	USB_PP0
4	Ground	8	Ground



1. Back Panel USB 2.0 (USB #0)
2. Back Panel USB 2.0 (USB #1)
3. Back Panel USB 2.0 (USB #2)
4. Back Panel USB 2.0 (USB #3)
5. Front Panel USB 2.0 (USB #4/5)
6. Front Panel USB 2.0 (USB #8/9)



**Ethernet Ports**

Two Ethernet ports (LAN1/LAN2) are located next to the VGA port on the I/O Backpanel. In addition, an IPMI Dedicated LAN is also located above USB 0/1 ports to provide a dedicated network connection for IPMI 2.0. These ports accept RJ45 type cables. Please refer to the LED Indicator Section for LAN LED information.

LAN Ports Pin Definition			
Pin#	Definition		
1	TD0-	10	SGND
2	TD0+	11	P3V3SB
3	TD1-	12	Act LED
4	TD1+	13	Link 100 LED (Green, +3V3SB)
5	TD2-	14	Link 1000 LED (Yellow, +3V3SB)
6	TD2+	15	Ground
7	TD3-	16	Ground
8	TD3+	17	Ground
9	P2V5SB	88	Ground

**Serial Port**

A Serial Port (COM1) is located on the I/O backpanel. This allows serial communication connections between the motherboard and compatible serial devices. See the table on the right for pin definitions.

(NC: No Connection)

Serial Port Pin Definitions (COM1)			
Pin #	Definition	Pin #	Definition
1	DCD	6	DSR
2	RXD	7	RTS
3	TXD	8	CTS
4	DTR	9	RI
5	Ground	10	NC

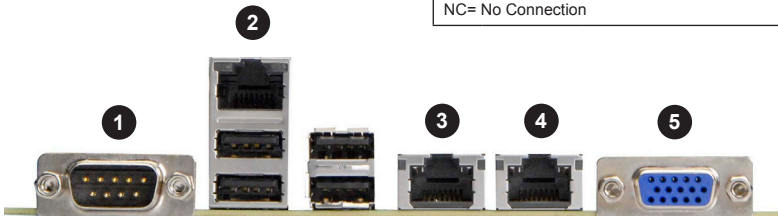
**Video (VGA/CRT) Connector**

A Video (VGA/CRT) connector is located on the I/O backpanel. This connector is used to provide video and CRT display. Refer to the board layout below for the location.

VGA Pin Definitions			
Pin#	Definition	Pin#	Definition
1	Red	10	Ground
2	Green	11	NC
3	Blue	12	MS1: SDA (DDC Data)
4	NC	13	HSYNC
5	Ground	14	VSYSNC
6	Ground	15	MS3: SCL (DDC CLK)
7	Ground	16	Case
8	Ground	17	Case
9	5V		

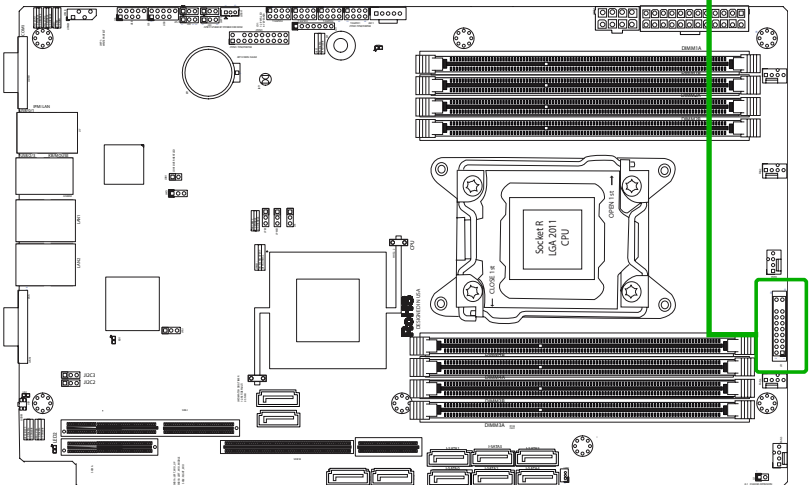
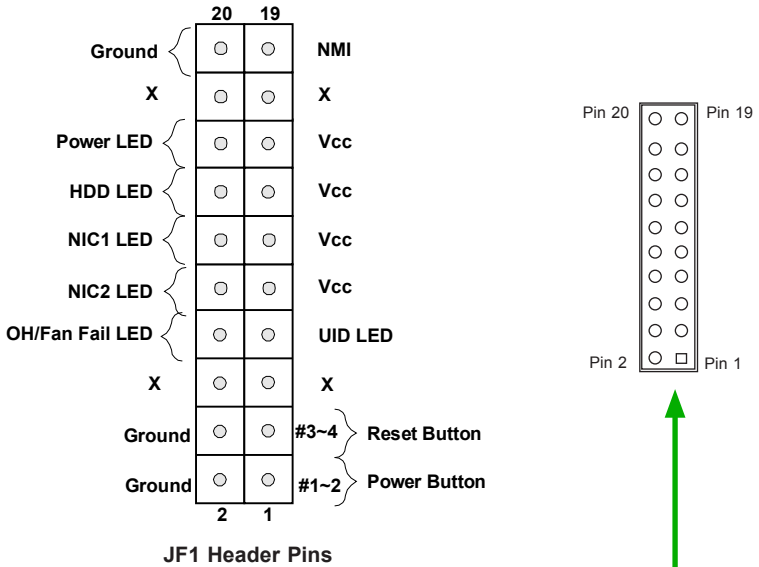
NC= No Connection

- 1. COM1
- 2. IPMI LAN
- 3. LAN1
- 4. LAN2
- 5. VGA



## Front Control Panel

JF1 contains header pins for various buttons and indicators that are normally located on a control panel at the front of the chassis. These connectors are designed specifically for use with a Supermicro server chassis. See the figure below for the descriptions of the various control panel buttons and LED indicators. Refer to the following section for descriptions and pin definitions.



## Front Control Panel Pin Definitions

### NMI Button

The non-maskable interrupt (NMI) button header is located on pins 19 and 20 of JF1. Refer to the table on the right for pin definitions.

NMI Button Pin Definitions (JF1)	
Pin#	Definition
19	Control
20	Ground

### Power LED

The Power LED connection is located on pins 15 and 16 of JF1. Refer to the table on the right for pin definitions.

Power LED Pin Definitions (JF1)	
Pin#	Definition
15	+5V
16	Ground

### HDD LED

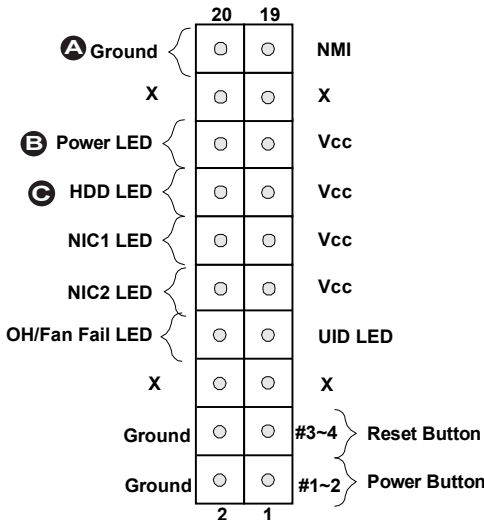
The HDD LED connection is located on pins 13 and 14 of JF1. Attach a cable here to indicate the status of HDD-related activities, including IDE, SATA activities. See the table on the right for pin definitions.

HDD LED Pin Definitions (JF1)	
Pin#	Definition
13	+5V
14	HD Active

A. NMI Button

B. PWR LED

C. HDD LED



**NIC1/NIC2 (LAN1/LAN2)**

The NIC (Network Interface Controller) LED connection for LAN port 1 is located on pins 11 and 12 of JF1, and the LED connection for LAN Port 2 is on Pins 9 and 10. NIC1 LED and NIC2 LED are 2-pin NIC LED headers. Attach NIC LED cables to NIC1 and NIC2 LED indicators to display network activities. Refer to the table on the right for pin definitions.

LAN1/LAN2 LED Pin Definitions (JF1)	
Pin#	Definition
9/11	Vcc
10/12	Ground

**Overheat (OH)/Fan Fail/UID LED**

Connect an LED cable to the Front UID and OH/Fan Fail connections on pins 7 and 8 of JF1 to display UID (Unit ID) signals or to provide advanced warnings for chassis overheat/fan failure. Refer to the table on the right for pin definitions.

OH/Fan Fail LED Pin Definitions (JF1)	
Pin#	Definition
7	Vcc/Blue UID LED
8	OH/Fan Fail LED

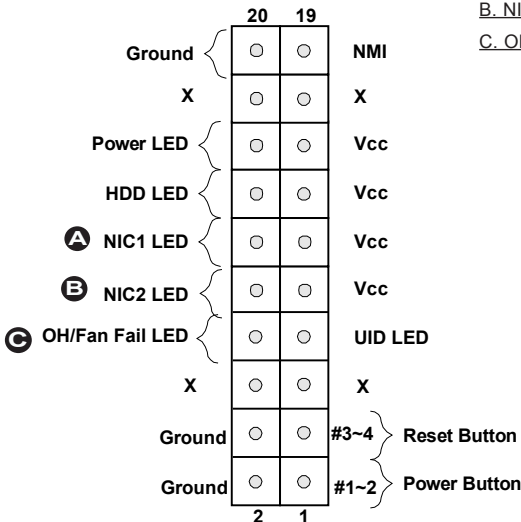
OH/Fan Fail Indicator Status	
State	Definition
Off	Normal
On	Overheat
Flashing	Fan Fail

PWR Fail LED Pin Definitions (JF1)	
Pin#	Definition
5	Vcc
6	Ground

A. NIC1 LED

B. NIC2 LED

C. OH/Fan Fail/UID LED





**Reset Button**

The Reset Button connection is located on pins 3 and 4 of JF1. Attach this to a hardware reset switch on the computer case to reset the system. Refer to the table on the right for pin definitions.

Reset Button Pin Definitions (JF1)	
Pin#	Definition
3	Reset
4	Ground

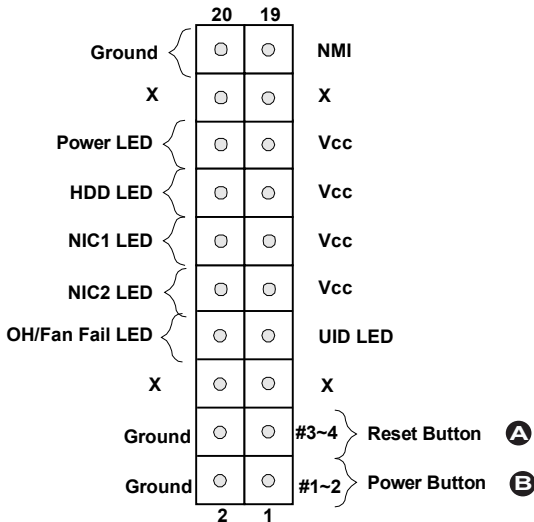
**Power Button**

The Power Button connection is located on pins 1 and 2 of JF1. Momentarily contacting both pins will power on/off the system. This button can also be configured to function as a suspend button (with a setting in the BIOS - see Chapter 4). To turn off the power in the suspend mode, press the button for at least 4 seconds. Refer to the table on the right for pin definitions.

Power Button Pin Definitions (JF1)	
Pin#	Definition
1	Signal
2	+3V Standby

A. Reset Button

B. PWR Button



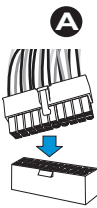
## 2-6 Connecting Cables & Optional Devices

This section provides brief descriptions and pin-out definitions for onboard headers and connectors. Be sure to use the correct cable for each header or connector.

### ATX Main PWR (JPW1) & CPU PWR Connectors (JPW2)

The 24-pin main power connector (JPW1) is used to provide power to the motherboard. The 8-pin CPU PWR connector (JPW2) is also required for the processor. These power connectors meet the SSI EPS 12V specification. See the table on the right for pin definitions.

Pin#	Definition	Pin #	Definition
13	+3.3V	1	+3.3V
14	-12V	2	+3.3V
15	COM	3	COM
16	PS_ON	4	+5V
17	COM	5	COM
18	COM	6	+5V
19	COM	7	COM
20	Res (NC)	8	PWR_OK
21	+5V	9	5VSB
22	+5V	10	+12V
23	+5V	11	+12V
24	COM	12	+3.3V



24-Pin Main PWR



8-Pin Processor PWR

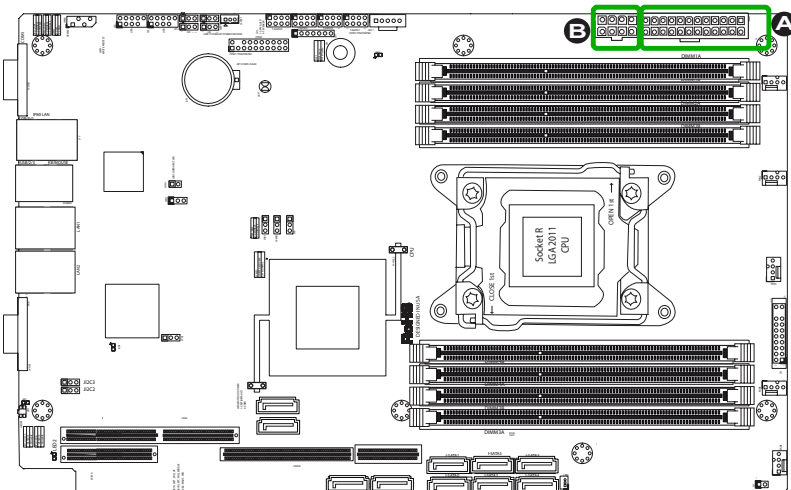
A. 24-Pin ATX Main PWR

B. 8-Pin Processor PWR

### 12V 8-pin Power Connector Pin Definitions

Pins	Definition
1 through 4	Ground
5 through 8	+12V

(Required)



**Fan Headers (FAN1~5)**

The X9SRW series has five fan headers (Fan 1~Fan 5). These fans are 4-pin fan headers. Pins 1-3 of the fan headers are backward compatible with the traditional 3-pin fans, but will only run at full speed. To take advantage of the fan speed control setting in the BIOS Hardware Monitoring section, please use 4-pin fans. This will allow the BIOS to automatically set fan speeds based on the system temperature. Refer to the table on the right for pin definitions.

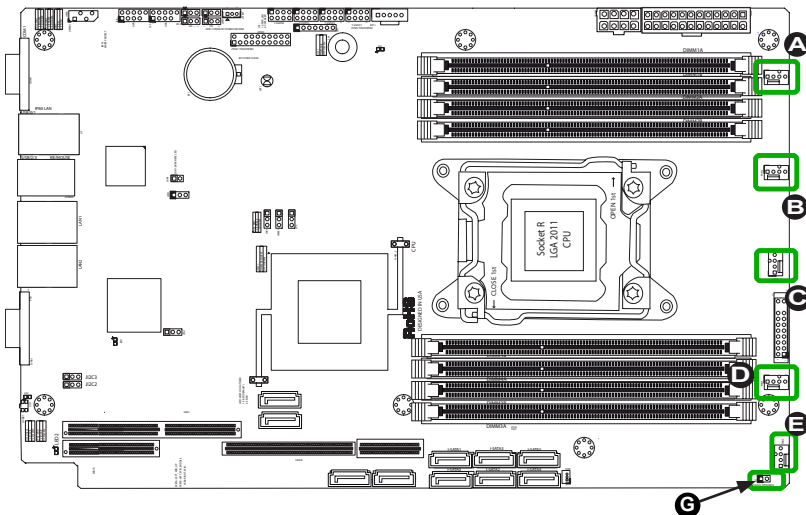
Fan Header Pin Definitions	
Pin#	Definition
1	Ground (Black)
2	+12V (Red)
3	Tachometer
4	PWM_Control

**Chassis Intrusion (JL1)**

A Chassis Intrusion header is located at JL1 on the motherboard. Attach the appropriate cable from the chassis to inform you of a chassis intrusion when the chassis is opened.

Chassis Intrusion Pin Definitions (JL1)	
Pin#	Definition
1	Intrusion Input
2	Ground

- A. Fan 1
- B. Fan 2
- C. Fan 3
- D. Fan 4
- E. Fan 5
- G. Chassis Intrusion



## Speaker (JD1)

On the JD1 header, pins 3~4 are used for the internal speaker. Close pins 3~4 with a jumper or cap to use the onboard speaker. If you wish to use an external speaker, attach the external speaker's cable to pins 1~4. See the table on the right for pin definitions.

Speaker Connector Pin Definitions	
Pin Setting	Definition
Pins 3~4	Internal Speaker
Pins1~4	External Speaker

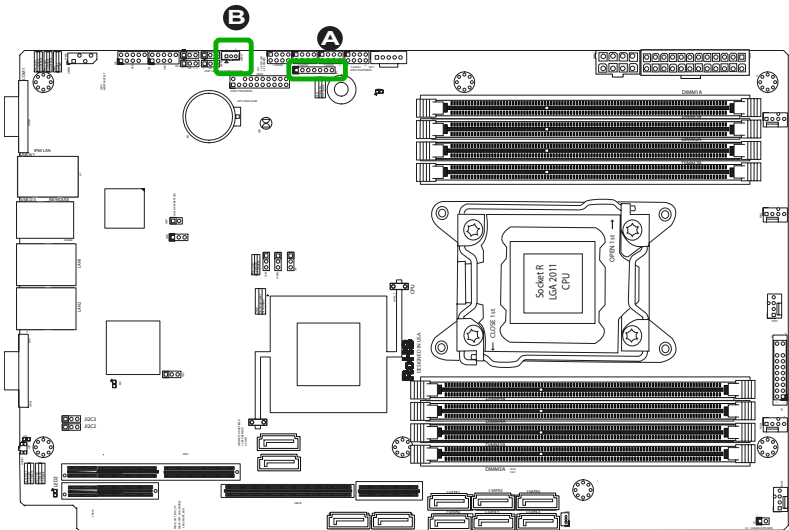
## Legacy Wake-On-LAN Header (JSTBY)

The onboard LANs (LAN1 and LAN2) do not need a WOL header to support its Wake-On-LAN function. We preserved the legacy WOL header to provide convenience for some embedded customers who need internal power source from the board. See the table on the right for pin definitions.

Wake-On-LAN Pin Definitions	
Pin#	Definition
1	+5V Standby
2	Ground
3	Wake-up

A. Internal Speaker

B. Wake On LAN



**Power Supply I<sup>2</sup>C (JPI2C)**

The Power Supply I2C Connector, located at JPI2C, monitors the status of the power supply, fan and system temperature. See the table on the right for pin definitions.

PWR Supply I <sup>2</sup> C Pin Definitions	
Pin#	Definition
1	Clock
2	Data
3	PWR Fail
4	Ground
5	3.3V

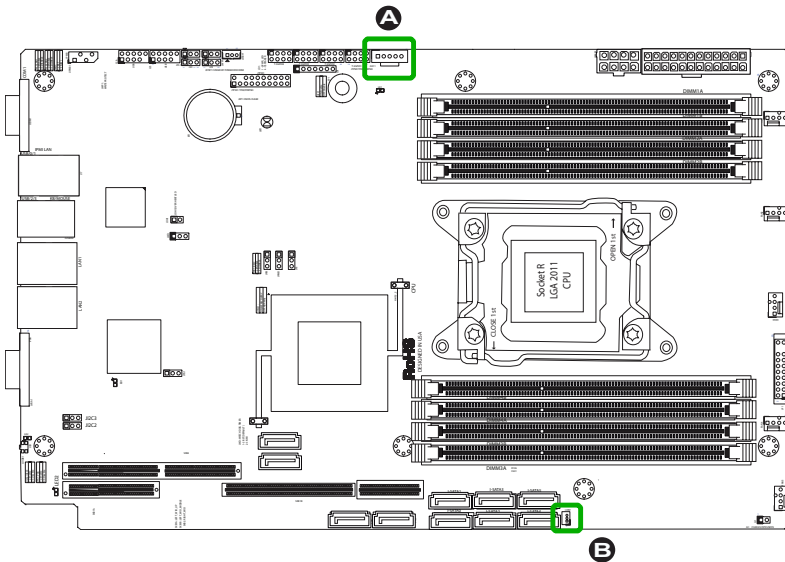
**DOM PWR Connector (JSD1)**

The Disk-On-Module (DOM) power connector, located at JSD1, provides 5V (Gen1/Gen) power to a solid-state DOM storage device connected to one of the SATA ports. See the table on the right for pin definitions.

DOM PWR Pin Definitions	
Pin#	Definition
1	5V
2	Ground
3	Ground

A. Power Supply I<sup>2</sup>C

B. DOM Power



### T-SGPIO 1/2 & 3-SGPIO 1/2 Headers

Two T-SGPIO (Serial-Link General Purpose Input/Output) headers are located next to the I-SATA Ports on the motherboard. Additionally, two 3-SGPIO ports (for SAS) are also located next to USB 8/9 . These headers are used to communicate with the enclosure management chip in the system. See the table on the right for pin definitions. Refer to the board layout below for the locations of the headers.

### TPM Header (JTPM1)

This header is used to connect a Trusted Platform Module (TPM), which is available from a third-party vendor. A TPM is a security device that supports encryption and authentication in hard drives. It enables the motherboard to deny access if the TPM associated with the hard drive is not installed in the system. See the table on the right for pin definitions.

Serial_Link-SGPIO Pin Definitions			
Pin#	Definition	Pin	Definition
1	NC	2	NC
3	Ground	4	DATA Out
5	Load	6	Ground
7	Clock	8	NC

NC: No Connections

Trusted Platform Module Header Pin Definitions			
Pin #	Definition	Pin #	Definition
1	LCLK	2	GND
3	LFRAME	4	No Pin
5	LRESET	6	VCC5
7	LAD3	8	LAD2
9	VCC3	10	LAD1
11	LAD0	12	GND
13	RSV0	14	RSV1
15	SB3V	16	SERIRQ
17	GND	18	CLKRUN
19	LPCPD	20	RSV2

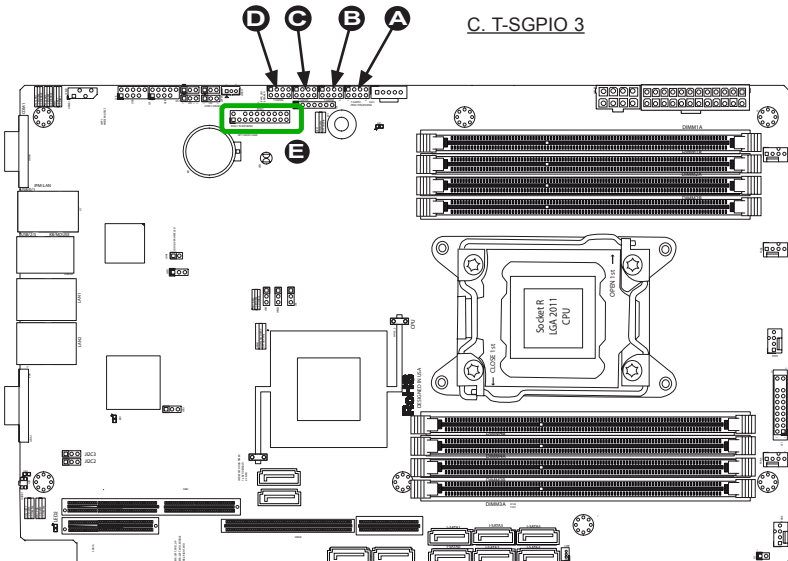
A. T-SGPIO 1

D. T-SGPIO 4

B. T-SGPIO 2

E. TPM Header

C. T-SGPIO 3



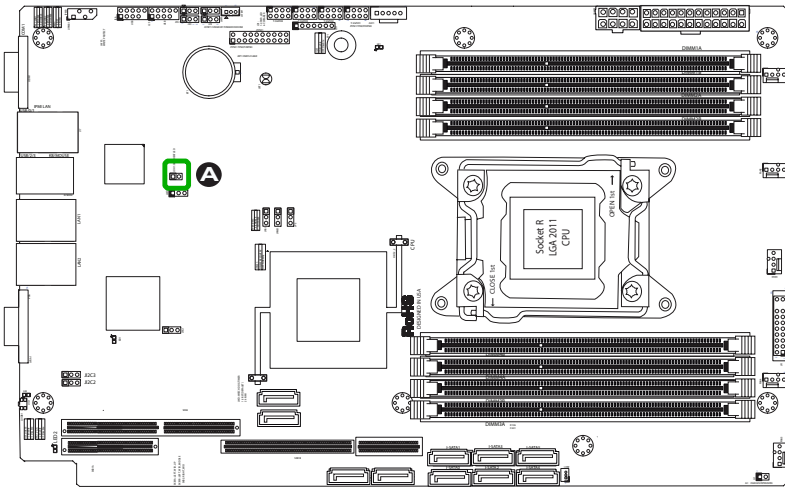
**Overheat/Fan Fail LED (JOH1)**

The JOH1 header is used to connect an LED to provide warnings of chassis overheat. This LED will also blink to indicate a fan failure. Refer to the table on right for pin definitions.

Overheat LED Pin Definitions	
Pin#	Definition
1	5VDC
2	OH Active

OH/Fan Fail LED Pin Definitions	
State	Message
Solid	Overheat
Blinking	Fan Fail


A. Overheat/Fan Fail LED

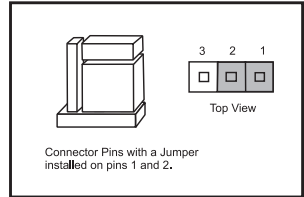
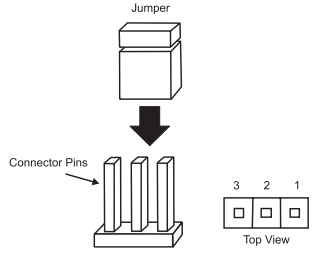


## 2-7 Jumper Settings

### Explanation of Jumpers

To modify the operation of the motherboard, jumpers can be used to choose between optional settings. Jumpers create shorts between two pins to change the function of the connector. Pin 1 is identified with a square solder pad on the printed circuit board.

 **Note:** On two-pin jumpers, "Closed" means the jumper is on, and "Open" means the jumper is off the pins.

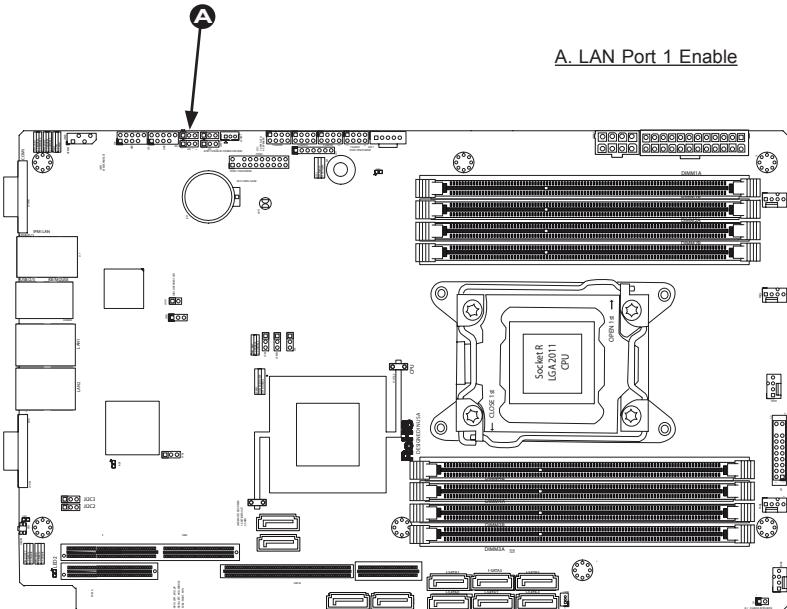


### LAN Port Enable/Disable (JPL1)

Jumper JPL1 enables or disables LAN Port 1 on the motherboard. See the table on the right for jumper settings. The default setting is enabled.


GLAN Enable Jumper Settings	
Pin#	Definition
1-2	Enabled (default)
2-3	Disabled

A. LAN Port 1 Enable





### Clear CMOS (JBT1)

JBT1 is used to clear CMOS. Instead of pins, this "jumper" consists of contact pads to prevent accidental clearing of CMOS. To clear CMOS, use a metal object such as a small screwdriver to touch both pads at the same time to short the connection. Always remove the AC power cord from the system before clearing CMOS. 



**Note:** For an ATX power supply, you must completely shut down the system, remove the AC power cord and then short JBT1 to clear CMOS.

### PCI Slot SMB Enable (J12C2/J12C3)

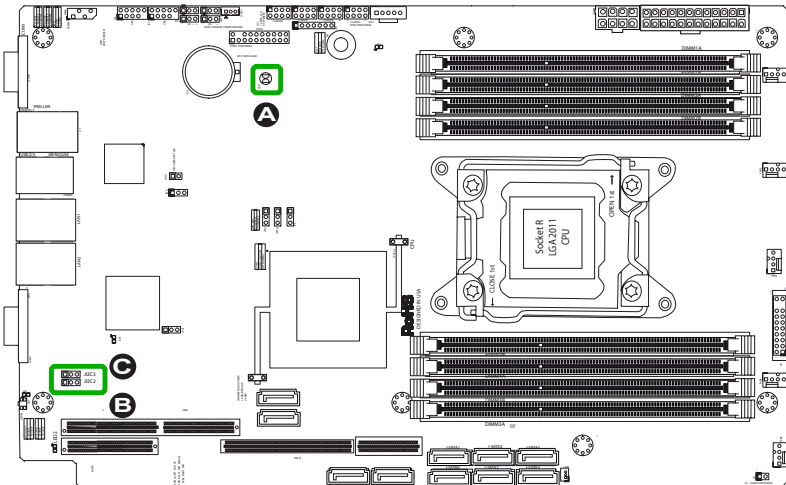
Use Jumpers J12C2/J12C3 to enable PCI SMB (System Management Bus) support to improve system management for the PCI slots. See the table on the right for jumper settings.

PCI Slot SMB Enable Jumper Settings	
Jumper Setting	Definition
Short	Enabled (Default)
Open	Disabled

A. Clear CMOS

B. J12C2

C. J12C3



### Watch Dog Reset (JWD)

Watch Dog (JWD) is a system monitor that can reboot the system when a software application hangs. Close pins 1-2 to reset the system if an application hangs. Close pins 2-3 to generate a non-maskable interrupt signal for the application that hangs. See the table on the right for jumper settings. Watch Dog must also be enabled in the BIOS.

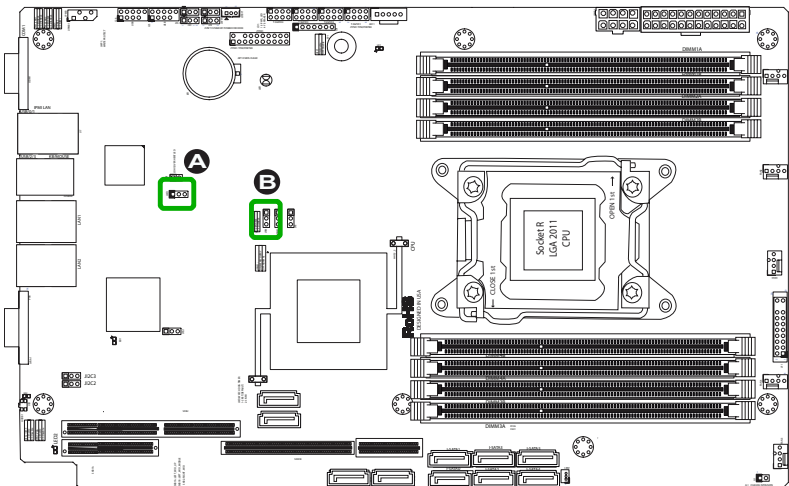
Watch Dog Jumper Settings	
Jumper Setting	Definition
Pins 1-2	Reset (default)
Pins 2-3	NMI
Open	Disabled

### BMC Enable/Disable (JPB1)

JPB1 is used to enable or disable the BMC (Baseboard Management Control) chip and the onboard IPMI connection. This jumper is used together with the IPMI settings in the BIOS. See the table on the right for jumper settings.

BMC IPMI Enable/Disable Jumper Settings	
Settings	Definition
Pins 1-2	Enabled (Default)
Pins 2-3	Disabled

- A. Watch Dog Reset
- B. BMC Enable



**Onboard VGA Enable (JPG1)**

JPG1 allows you to enable or disable the onboard VGA connector. The default position is on pins 1 and 2 to enable VGA. See the table on the right for jumper settings.

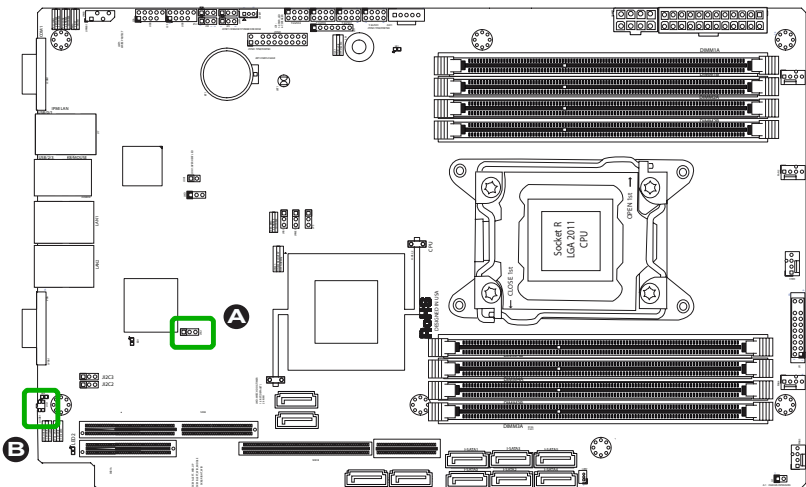
VGA Enable/Disable Jumper Settings	
Jumper Setting	Definition
Pins 1-2	Enabled
Pins 2-3	Disabled

**Unit Identifier Switch (UID)**

The UID Switch (UID) is located on the I/O back panel. When you push the UID Switch, both the Rear UID LED and Front Panel UID LED will turn on. Push the UID Switch again to turn off both Indicators. These UID Indicators provide easy identification of a system unit that may be in need of service. (For example, in a cabinet with several server units installed.)

A. Onboard VGA Enable

B. UID Switch



### ME Recovery (JPME1)

ME Recovery (JPME1) is used to enable or disable the ME Recovery feature of the motherboard. This jumper will reset Intel ME values back to their default settings.

ME Recovery Pin Definitions	
Pin#	Definition
1-2	Normal
2-3	ME Recovery

### VRM SMB Clock/Data (J29/J30)

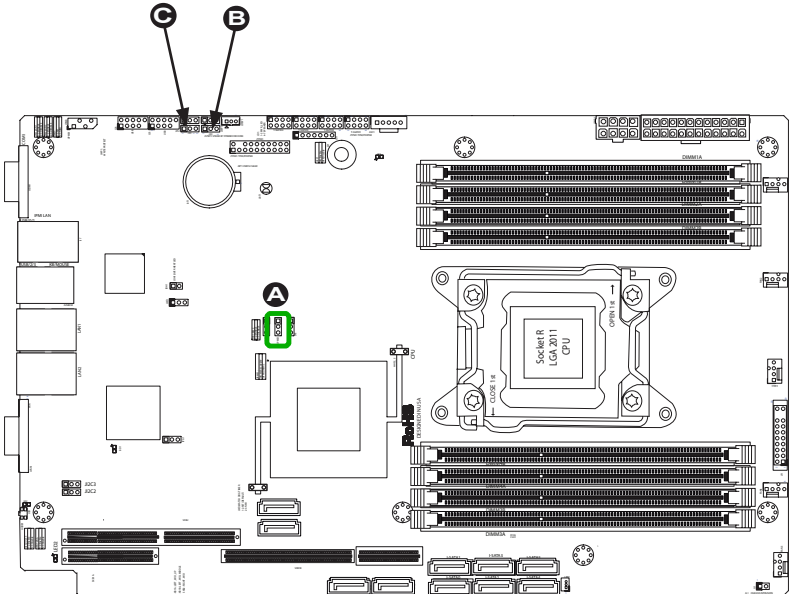
The VRM SMB Clock/Data is used to select where the Voltage Regulator Module's System Management Bus clock signal (J29) or Data (J30) is directed to. Select between BMC or PCH.

VRM SMB Clock/Data Pin Definitions	
Pin#	Definition
1-2	BMC (Default)
2-3	PCH

A. ME Recovery

B. VRM SMB Clock (J29)

C. VRM SMB Data (J30)

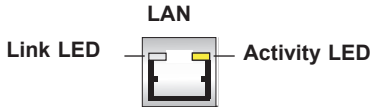


## 2-8 Onboard Indicators

### LAN Port LEDs

The LAN ports are located on the I/O backpanel of the motherboard. Each Ethernet LAN port has two LEDs. The yellow LED indicates activity, while the Link LED may be green, amber, or off to indicate the speed of the connections. See the tables at right for more information.

LAN Link LEDs (Green/Amber/Off)	
LED Color	Definition
Off	No Connection or 10 Mbps
Green	100 Mbps
Amber	1 Gbps

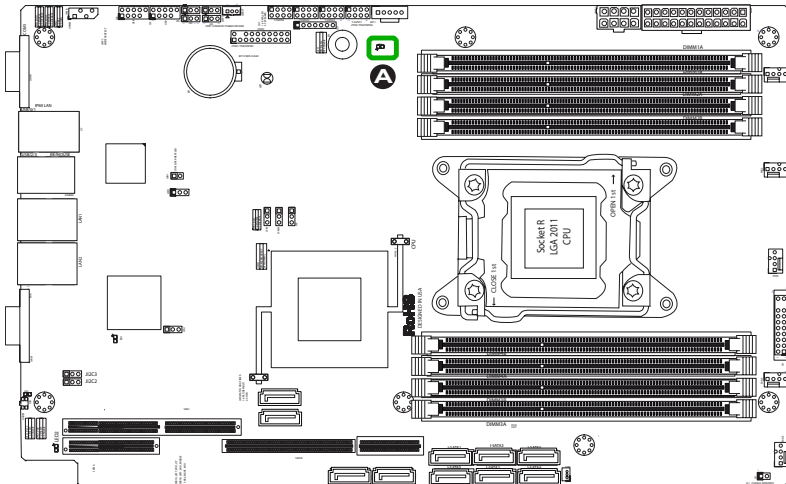


### Onboard Power LED (LE1)

An Onboard Power LED is located at DP2 on the motherboard. When DP2 is on, it means that the AC power cable is connected, the power supply switch and soft switch are on, and the system is running.

Onboard PWR LED (LE1) LED Status	
Status	Definition
Off	System Off (Soft Switch)
On	System is Running

A. Onboard Power LED



### Rear Unit ID LED (LE2)

The rear Unit ID LED is located at LE2 on the back panel. This LED is used in conjunction with the rear UID switch to provide easy identification of a system that might be in need of service.

Rear UID LED LED Settings	
Blue: Solid	UID Toggled On
Off	UID Toggled Off

### IPMI Heartbeat LED (BD1)

The IPMI Heartbeat LED is located at BD1. When BD1 blinks, the IPMI feature is functioning properly. Refer to the table on the right for details. Also see the layout below for the LED location.

IPMI Heartbeat LED Indicator LED Settings	
Green: Blinking	IPMI is ready for use
Off	IPMI Off

### Onboard Standby Power LED (LED2)

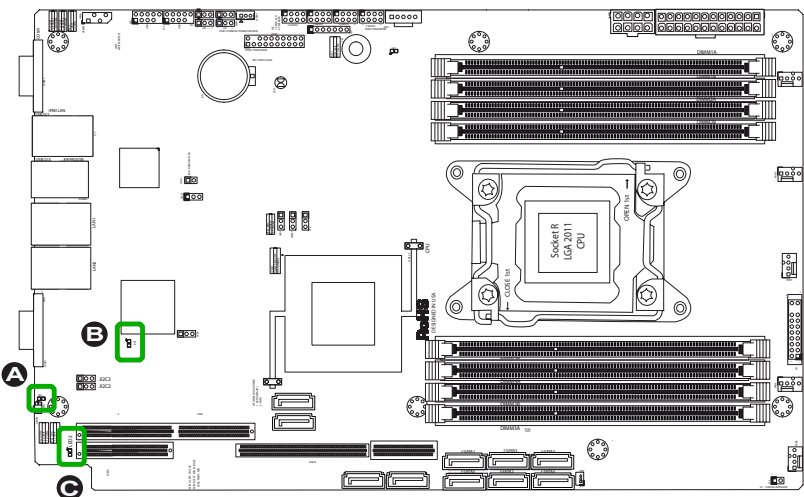
An onboard Standby Power LED is located at LED2. When LED2 is on, this indicates that the AC power cable is connected and the power supply hard switch is on. Make sure to disconnect the power cable before removing or installing any component. See the layout below for the LED location.

Onboard Standby PWR LED (LED2) LED Status	
Status	Definition
Off	Power Supply is Off (Hard Switch)
On	Power Supply is On (Hard Switch).

A. Rear Unit ID LED

B. IPMI Heartbeat LED

C. Onboard Standby Power LED



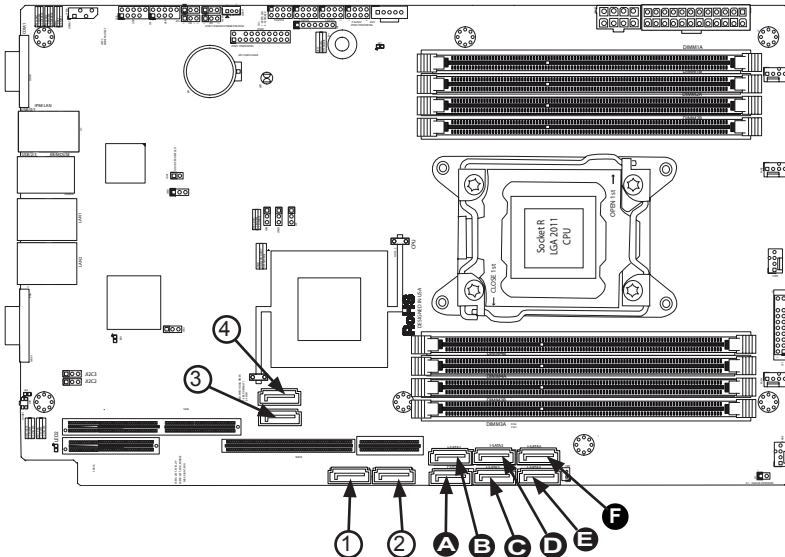
## 2-9 SATA Connections

### SATA/SAS Connections

Six Serial ATA (SATA) connectors (I-SATA 0~5) are located on the motherboard. Of these, I-SATA0 and I-SATA1 are SATA 3.0 ports. In addition, SAS0~SAS3 are also used as I-SATA 6Gb/s (SATA 3.0) ports, giving the motherboard a total of six (6) SATA 3.0 ports and four (4) SATA 2.0 ports.

SATA/SAS Connectors Pin Definitions	
Pin#	Signal
1	Ground
2	SATA_TXP
3	SATA_TXN
4	Ground
5	SATA_RXN
6	SATA_RXP
7	Ground

- |                          |                                 |
|--------------------------|---------------------------------|
| <u>A. I-SATA 0 (3.0)</u> | <u>1. SAS 0 / I-SATA (3.0)*</u> |
| <u>B. I-SATA 1 (3.0)</u> | <u>2. SAS 1 / I-SATA (3.0)*</u> |
| <u>C. I-SATA 2 (2.0)</u> | <u>3. SAS 2 / I-SATA (3.0)*</u> |
| <u>D. I-SATA 3 (2.0)</u> | <u>4. SAS 3 / I-SATA (3.0)*</u> |
| <u>E. I-SATA 4 (2.0)</u> |                                 |
| <u>F. I-SATA 5 (2.0)</u> |                                 |



## Chapter 3

# Troubleshooting

### 3-1 Troubleshooting Procedures

Use the following procedures to troubleshoot your system. If you have followed all of the procedures below and still need assistance, refer to the 'Technical Support Procedures' and/or 'Returning Merchandise for Service' section(s) in this chapter. Always disconnect the AC power cord before adding, changing or installing any hardware components.

#### Before Power On

1. Make sure that the Standby is not on. (**Note:** If it is on, the onboard power is on. Be sure to unplug the power cable before installing or removing the components.)
2. Make sure that there are no short circuits between the motherboard and chassis.
3. Disconnect all ribbon/wire cables from the motherboard, including those for the keyboard and mouse. Also, be sure to remove all add-on cards.
4. Install a CPU and heatsink (-be sure that it is fully seated) and then connect the chassis speaker and the power LED to the motherboard. Check all jumper settings as well.

#### No Power

1. Make sure that there are no short circuits between the motherboard and chassis.
2. Make sure that all jumpers are set to their default positions.
3. Check if the 115V/230V switch on the power supply is properly set.
4. Turn the power switch on and off to test the system.
5. The battery on your motherboard may be old. Check to make sure that it still supplies ~3VDC. If it does not, replace it with a new one.



## **No Video**

1. If the power is on, but you have no video--in this case, you will need to remove all the add-on cards and cables first.
2. Use the speaker to determine if any beep codes exist. (Refer to Appendix A for details on beep codes.)
3. Remove all memory modules and turn on the system. (If the alarm is on, check the specs of memory modules, reset the memory or try a different one.)

## **Memory Errors**

1. Make sure that the DIMM modules are properly installed and fully seated in the slots.
2. You should be using memory recommended by Supermicro (see Section 2-3). Also, it is recommended that you use the memory modules of the same type and speed for all DIMMs in the system. Do not use memory modules of different sizes, different speeds and different types on the same motherboard.
3. Check for bad DIMM modules or slots by swapping modules between slots to see if you can locate the faulty ones.
4. Check the switch of 115V/230V power supply.

## **When You Lose the System's Setup Configuration**

1. Please be sure to use a high quality power supply. A poor quality power supply may cause the system to lose CMOS setup information. Refer to Section 1-6 for details on recommended power supplies.
2. The battery on your motherboard may be old. Check to verify that it still supplies ~3VDC. If it does not, replace it with a new one.
3. If the above steps do not fix the Setup Configuration problem, contact your vendor for repairs.

## 3-2 Technical Support Procedures

Before contacting Technical Support, please make sure that you have followed all the steps listed below. Also, Note that as a motherboard manufacturer, Supermicro does not sell directly to end users, so it is best to first check with your distributor or reseller for troubleshooting services. They should know of any possible problem(s) with the specific system configuration that was sold to you.

1. Please go through the 'Troubleshooting Procedures' and 'Frequently Asked Question' (FAQ) sections in this chapter or see the FAQs on our website (<http://www.supermicro.com/support/faqs/>) before contacting Technical Support.
2. BIOS upgrades can be downloaded from our website at (<http://www.supermicro.com/support/bios/>).

**Note:** Not all BIOS can be flashed. Some cannot be flashed; it depends on the boot block code of the BIOS.

3. If you've followed the instructions above to troubleshoot your system, and still cannot resolve the problem, then contact Supermicro's technical support and provide them with the following information:
  - Motherboard model and PCB revision number
  - BIOS release date/version (this can be seen on the initial display when your system first boots up)
  - System configuration
  - An example of a Technical Support form is on our website at (<http://www.supermicro.com/support/contact.cfm>).
4. Distributors: For immediate assistance, please have your account number ready when placing a call to our technical support department. We can be reached by e-mail at [support@supermicro.com](mailto:support@supermicro.com), by phone at: (408) 503-8000, option 2, or by fax at (408)503-8019.

### 3-3 Frequently Asked Questions

**Question:** What type of memory does my motherboard support?

**Answer:** Please see Section 2-3 for a comprehensive answer.

**Question:** How do I update my BIOS?

**Answer:** It is recommended that you **do not** upgrade your BIOS if you are not experiencing any problems with your system. Updated BIOS files are located on our website at <http://www.supermicro.com/support/bios/>. Please check our BIOS warning message and the information on how to update your BIOS on our web site. Select your motherboard model and download the BIOS ROM file to your computer. Also, check the current BIOS revision to make sure that it is newer than your BIOS before downloading. Please unzip the BIOS file onto a bootable device or a USB pen/thumb drive. To flash the BIOS, run the batch file named "ami.bat" with the new BIOS ROM file from your bootable device or USB pen/thumb drive. Use the following format:

```
F:\> ami.bat BIOS-ROM-filename.xxx <Enter>
```



**Note:** Always use the file named "ami.bat" to update the BIOS, and insert a space between "ami.bat" and the filename. The BIOS-ROM-filename will bear the motherboard name (i.e., X9SRW) and build version as the extension. For example, "X9SRW1.218". When completed, your system will automatically reboot.

When the BIOS flashing screen is completed, the system will reboot and will show "Press F1 or F2". At this point, you will need to load the BIOS defaults. Press <F1> to go to the BIOS setup screen, and press <F3> to load the default settings. Next, press <F4> to save and exit. The system will then reboot.

**Warning:** Do not shut down or reset the system while updating the BIOS to prevent possible system boot failure!



**Note:** The SPI BIOS chip installed on this motherboard is not removable. To repair or replace a damaged BIOS chip, please send your motherboard to RMA at Supermicro for service.

**Question:** I think my BIOS is corrupted. How can I recover my BIOS?

**Answer:** Please see Appendix C-BIOS Recovery for detailed instructions.

**Question:** What's on the CD that came with my motherboard?

**Answer:** The supplied compact disc has quite a few drivers and programs that will greatly enhance your system. We recommend that you review the CD and install the applications you need. Applications on the CD include chipset drivers for Windows, security programs, and audio drivers.

**Question:** Why do I get an error message "IASTOR.SYS read error" and "press F6 to install Intel RAID driver" when installing Windows on my motherboard?

**Answer:** To solve this issue, disable the IPMI jumper (if your motherboard has this feature). Another solution is to use a USB floppy drive instead of the onboard floppy drive. For the IPMI jumper location, please check Chapter 1.

**Question:** What is the heatsink part number for my X9SRW Series motherboard?

**Answer:** For the 1U heatsink, ask for SNK-P0047PS (passive), for the 2U heatsink, use SNK-P0048PS (passive), and SNK-P0050AP4 for the 4U (active).

**Question:** Why can't I recover the BIOS even when I've followed the instructions in the user's manual for the motherboard?

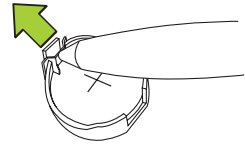
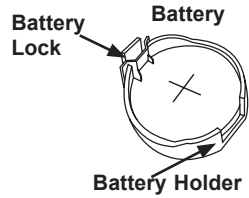
**Answer:** Please disable the IPMI jumper and try it again. For the jumper location, please check Chapter 1.

### 3-4 Battery Removal and Installation

#### Battery Removal

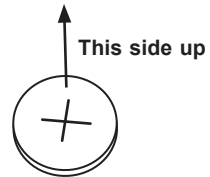
To remove the onboard battery, follow the steps below:

1. Power off your system and unplug your power cable.
2. Locate the onboard battery as shown below.
3. Using a tool such as a pen or a small screwdriver, push the battery lock outwards to unlock it. Once unlocked, the battery will pop out from the holder.
4. Remove the battery.



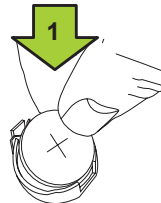
#### Proper Battery Disposal

**Warning:** Please handle used batteries carefully. Do not damage the battery in any way; a damaged battery may release hazardous materials into the environment. Do not discard a used battery in the garbage or a public landfill. Please comply with the regulations set up by your local hazardous waste management agency to dispose of your used battery properly.

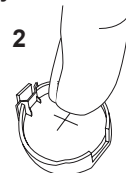


#### Battery Installation

1. To install an onboard battery, follow the steps 1 & 2 above and continue below:
2. Identify the battery's polarity. The positive (+) side should be facing up.
3. Insert the battery into the battery holder and push it down until you hear a click to ensure that the battery is securely locked.



**Press down until you hear a click.**



**Important:** When replacing a battery, be sure to only replace it with the same type.

### **3-5 Returning Merchandise for Service**

A receipt or copy of your invoice marked with the date of purchase is required before any warranty service will be rendered. You can obtain service by calling your vendor for a Returned Merchandise Authorization (RMA) number. For faster service, you may also obtain RMA authorizations online (<http://www.supermicro.com/RmaForm/>). When you return the motherboard to the manufacturer, the RMA number should be prominently displayed on the outside of the shipping carton, and mailed prepaid or hand-carried. Shipping and handling charges will be applied for all orders that must be mailed when service is complete.

This warranty only covers normal consumer use and does not cover damages incurred in shipping or from failure due to the alteration, misuse, abuse or improper maintenance of products.

During the warranty period, contact your distributor first for any product problems.

## Notes

---

---

## Chapter 4

### BIOS

#### 4-1 Introduction

This chapter describes the AMI BIOS Setup Utility for the X9SRW Motherboard Series User's Manual. The AMI ROM BIOS is stored in a Flash EEPROM and can be easily updated. This chapter describes the basic navigation of the AMI BIOS Setup Utility setup screens.



**Note:** For instructions on BIOS recovery, please refer to the instruction guide posted at <http://www.supermicro.com/support/manuals/>.

#### Starting BIOS Setup Utility

To enter the AMI BIOS Setup Utility screens, press the <Delete> key while the system is booting up.



**Note:** In most cases, the <Delete> key is used to invoke the AMI BIOS setup screen. There are a few cases when other keys are used, such as <F1>, <F2>, etc.

Each main BIOS menu option is described in this manual. The Main BIOS setup menu screen has two main frames. The left frame displays all the options that can be configured. Grayed-out options cannot be configured. Options in blue can be configured by the user. The right frame displays the key legend. Above the key legend is an area reserved for a text message. When an option is selected in the left frame, it is highlighted in white. Often a text message will accompany it. (**Note:** the AMI BIOS has default text messages built in. Supermicro retains the option to include, omit, or change any of these text messages.)

The AMI BIOS Setup Utility uses a key-based navigation system called "hot keys". Most of the AMI BIOS setup utility "hot keys" can be used at any time during the setup navigation process. These keys include <F1>, <F10>, <Enter>, <ESC>, arrow keys, etc.



**Note:** Options printed in **Bold** are default settings.

#### How To Change the Configuration Data

The configuration data that determines the system parameters may be changed by entering the AMI BIOS Setup utility. This Setup utility can be accessed by pressing <Del> at the appropriate time during system boot.



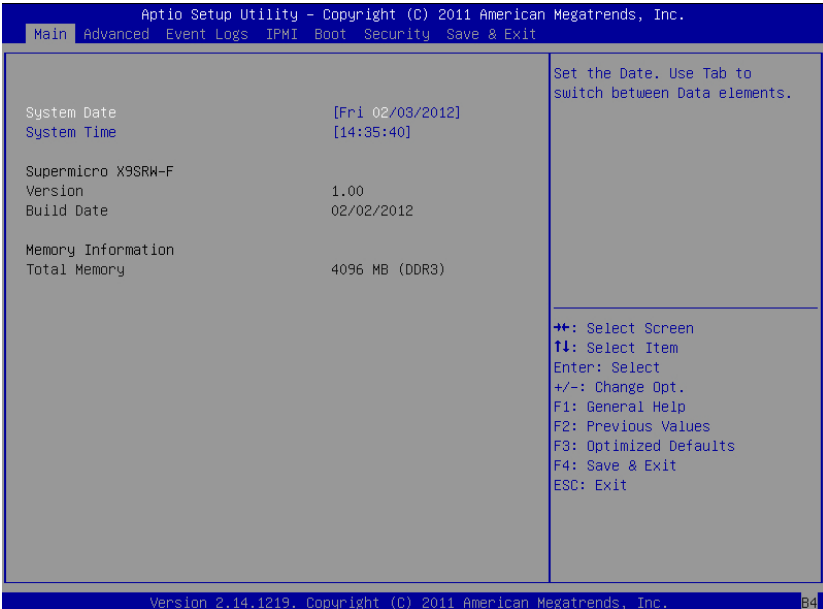
## How to Start the Setup Utility

Normally, the only visible Power-On Self-Test (POST) routine is the memory test. As the memory is being tested, press the <Delete> key to enter the main menu of the AMI BIOS Setup Utility. From the main menu, you can access the other setup screens. An AMI BIOS identification string is displayed at the left bottom corner of the screen, below the copyright message.

**Warning:** Do not upgrade the BIOS unless your system has a BIOS-related issue. Flashing the wrong BIOS can cause irreparable damage to the system. In no event shall Supermicro be liable for direct, indirect, special, incidental, or consequential damages arising from a BIOS update. If you have to update the BIOS, do not shut down or reset the system while the BIOS is updating. This is to avoid possible boot failure.

## 4-2 Main Setup

When you first enter the AMI BIOS Setup Utility, you will enter the Main setup screen. You can always return to the Main setup screen by selecting the Main tab on the top of the screen. The Main BIOS Setup screen is shown below.



**System Overview:** The following BIOS information will be displayed:

### **System Time/System Date**

Use this option to change the system time and date. Highlight *System Time* or *System Date* using the arrow keys. Enter new values through the keyboard. Press the <Tab> key or the arrow keys to move between fields. The date must be entered in Day MM/DD/YY format. The time is entered in HH:MM:SS format. (**Note:** The time is in the 24-hour format. For example, 5:30 P.M. appears as 17:30:00.)

### **Supermicro X9SRW-F**

Version: This item displays the version of the BIOS used in the system.

Build Date: This item displays the day this version of BIOS was built.

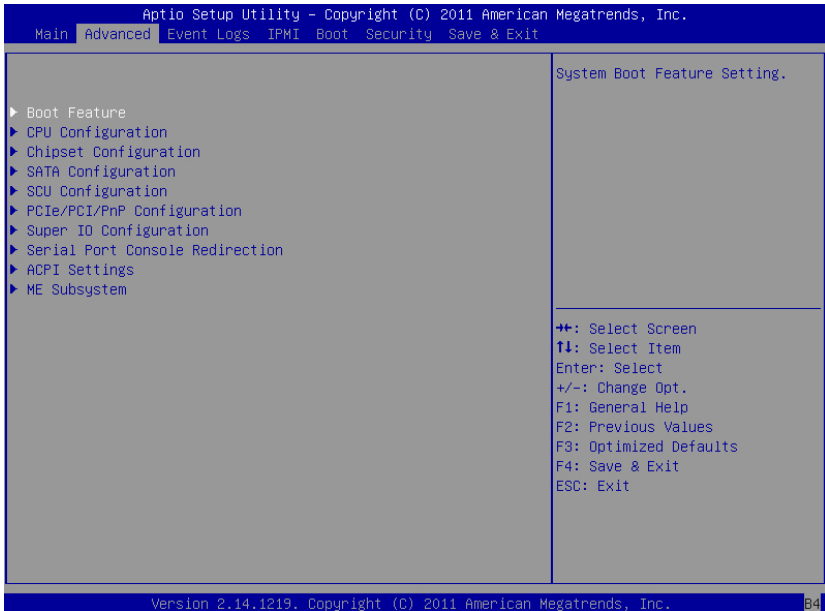
### **Memory Information**

#### **Total Memory**

This displays the size of memory available in the system:

## 4-3 Advanced Setup Configurations

Use the arrow keys to select Boot Setup and hit <Enter> to access the submenu items:



### Quiet Boot

This option allows the bootup screen options to be modified between POST messages or the OEM logo. Select Disabled to display the POST messages. Select Enabled to display the OEM logo instead of the normal POST messages. The options are **Enabled** and Disabled.

### AddOn ROM Display Mode

This sets the display mode for Option ROM. The options are **Force BIOS** and Keep Current.

### Bootup Num-Lock

This feature selects the Power-on state for Numlock key. The options are Off and **On**.

### Wait For 'F1' If Error

This forces the system to wait until the 'F1' key is pressed if an error occurs. The options are Disabled and **Enabled**.

### Interrupt 19 Capture

Interrupt 19 is the software interrupt that handles the boot disk function. When this item is set to Enabled, the ROM BIOS of the host adaptors will "capture" Interrupt 19 at boot and allow the drives that are attached to these host adaptors to function as bootable disks. If this item is set to Disabled, the ROM BIOS of the host adaptors will not capture Interrupt 19, and the drives attached to these adaptors will not function as bootable devices. The options are **Enabled** and Disabled.

### Watch Dog Function

If enabled, the Watch Dog Timer will allow the system to reboot when it is inactive for more than 5 minutes. The options are Enabled and **Disabled**.

### Power Button Function

This feature controls how the system shuts down when the power button is pressed. Select 4-Seconds Override to force the user to press and hold the Power Button for 4 seconds before the system turns off. Select Instant Off if you want the system to instantly power off when the Power Button is pressed. The options are 4 Seconds Override and **Instant Off**.

### Restore on AC Power Loss

Use this feature to set the power state after a power outage. Select Power-Off for the system power to remain off after a power loss. Select Power-On for the system power to be turned on after a power loss. Select Last State to allow the system to resume its last state before a power loss. The options are Power-On, Stay-Off and **Last State**.

## ►CPU Configuration

**Warning:** Take Caution when changing the Advanced settings. An incorrect value, a very high DRAM frequency or incorrect DRAM timing may cause system to become unstable. When this occurs, revert to the default setting.

### ►Socket 1 CPU Information

This item is for informational purposes only and displays CPU information including type, speed, number of cores, etc.

### Clock Spread Spectrum

Select Enable to use the feature of Clock Spectrum, which will allow the BIOS to monitor and attempt to reduce the level of Electromagnetic Interference caused by the components whenever needed. Select Disabled to enhance system stability. The options are **Disabled** and Enabled.

### **Hyper Threading**

Set to Enabled to use the processor's Hyper Threading Technology feature. The options are **Enabled** and Disabled.

### **Active Processor Cores**

Set to Enabled to use a processor's Second Core and beyond. (Please refer to Intel's web site for more information.) The options are **All**, **1**, **2**, and **4**.

### **Limit CPUID Maximum**

This feature allows the user to set the maximum CPU ID value. Enable this function to boot the legacy operating systems that cannot support processors with extended CPUID functions. The options are Enabled and **Disabled** (for the Windows OS.).

### **Execute-Disable Bit (Available when supported by the OS and the CPU)**

Set to Enabled to enable the Execute Disable Bit which will allow the processor to designate areas in the system memory where an application code can execute and where it cannot, thus preventing a worm or a virus from flooding illegal codes to overwhelm the processor or damage the system during an attack. The default is **Enabled**. (Refer to Intel and Microsoft Web Sites for more information.)

### **Intel® AES-NI**

Set to Enabled to use the processor's Advanced Encryption Standard (AES) feature. The options are **Enabled** and Disabled.

### **Hardware Prefetcher (Available when supported by the CPU)**

If set to Enabled, the hardware pre fetcher will pre fetch streams of data and instructions from the main memory to the L2 cache in the forward or backward manner to improve CPU performance. The options are Disabled and **Enabled**.

### **Adjacent Cache Line Prefetch (Available when supported by the CPU)**

The CPU fetches the cache line for 64 bytes if this option is set to Disabled. The CPU fetches both cache lines for 128 bytes as comprised if **Enabled**.

### **DCU Streamer Prefetcher**

This feature enables prefetch of the next L1 data line based on multiple loads in the same cache line. The options are **Enabled** and Disabled.

### **DCU IP Prefetcher**

Set this feature to Enabled to activate the L1 Data Prefetcher based on sequential load history. The options are **Enabled** and Disabled.

---

**Intel® Virtualization Technology (Available when supported by the CPU)**

Select Enabled to use the feature of Virtualization Technology to allow one platform to run multiple operating systems and applications in independent partitions, creating multiple "virtual" systems in one physical computer. The options are **Enabled** and Disabled.



**Note:** If there is any change to this setting, you will need to power off and restart the system for the change to take effect. Please refer to Intel's web site for detailed information.

**► CPU Power Management Configuration****Power Technology**

This feature determines what power-saving scheme the motherboard uses. The options are Disabled, **Energy Efficient** and Custom. If Custom is selected, the following options become available:

**EIST**

EIST (Enhanced Intel SpeedStep Technology) allows the system to automatically adjust processor voltage and core frequency in an effort to reduce power consumption and heat dissipation. **Please refer to Intel's web site for detailed information.** The options are Disabled and **Enabled**.

**Turbo Mode**

This feature allows processor cores to run faster than marked frequency in specific conditions. The options are Disabled and **Enabled**.

**C1E Support**

Select Enabled to use the "Enhanced Halt State" feature. C1E significantly reduces the CPU's power consumption by reducing the CPU's clock cycle and voltage during a "Halt State." The options are Disabled and **Enabled**.

**CPU C3 Report, CPU C6, CPU C7 Report**

This BIOS feature enables or disables C3 (ACPI C2), C6 (ACPI C3), C7 (ACPI C3) reporting to the operating system. The default option for C3 is **Disabled**. The default option for C6 and C7 is **Enabled**.

**Package C State Limit**

If set to Auto, the AMI BIOS will automatically set the limit on the C-State package register. The options are C0, C2, **C6**, and No Limit.

## Energy Performance

This setting allows the user to adjust the fan speed based on performance (maximum cooling) or energy efficiency (maximum energy savings) The options are Performance, **Balanced Performance**, Balanced Energy, and Energy Efficient.

**Long duration power limit** - this is the processor power consumption limit (in Watts) during a long duration time window.

**Long duration maintained** - this is the time in milliseconds where the Long Duration Power Limit is maintained.

**Short duration power limit** - During Turbo Mode, the system may exceed the processor's default power setting and exceed the Short Duration Power limit. By increasing this value, the processor can provide better performance for a short duration.

## ►Chipset Configuration

**Warning:** Setting the wrong values in the following sections may cause the system to malfunction.

### ►North Bridge Configuration

This item displays the current IO chipset Revision.

### ►Integrated IO Configuration

#### Intel® VT-d

Select Enabled to enable Intel's Virtualization Technology support for Direct I/O VT-d by reporting the I/O device assignments to VMM through the DMAR ACPI Tables. This feature offers fully-protected I/O resource-sharing across the Intel platforms, providing the user with greater reliability, security and availability in networking and data-sharing. The settings are **Enabled** and Disabled.

#### Intel® I/OAT

The Intel I/OAT (I/O Acceleration Technology) significantly reduces CPU overhead by leveraging CPU architectural improvements, freeing resources for more other tasks. The options are Disabled and **Enabled**.

#### DCA Support

This feature accelerates the performance of I/O devices using Direct Cache Access. The options are **Enabled** and Disabled.

**IOU1-PCIe Port**

This feature allows the user to set the PCI-Exp bus speed between IOU1 and PCI-e port. The options are x4x4 and **x8**.

**SXB2 PCI-E 3.0 x8 Link Speed**

This feature enables the user to select the target link speed for this slot. The options are **GEN1** and GEN2.

**IOU2 - PCIe Port**

This feature allows the user to set the PCI-Exp bus speed between IOU2 and PCIe port. The options are x4x4x4x4, x4x4x8, x8x4x4, x8x8, and x16, and **Auto**.

**IOU3 - PCIe Port**

This feature allows the user to set the PCI-Exp bus speed between IOU3 and PCIe port. The options are x4x4x4x4, x4x4x8, x8x4x4, x8x8, and x16, and **Auto**.

**►DIMM Configuration****Memory Configuration**

This section displays memory status such as Current Memory Mode, Memory Speed, Mirroring and Sparing information.

**►DIMM Information**

This feature displays information regarding the installed memory.

**Memory Mode**

The only option is **Independent**, a feature that allows for all DIMMs to be available to the operating system.

**DRAM RAPL Mode**

RAPL which stands for Running Average Power Limit is a feature that provides mechanisms to enforce power consumption limits on supported processors. The options are DRAM RAPL MODE0 , **DRAM RAPL MODE1**, and Disabled.

**DDR Speed**

Use this option to force the system memory to run at a different frequency than the default frequency. The available options are **Auto**, Force DDR-800, Force DDR-1066, Force DDR-1333, Force DDR3-1600 and Force SPD.

**Channel Interleaving**

This feature selects from the different channel memory interleaving methods. The options are **Auto**, 1 Way, 2 Way, 3 Way and 4 Way.



### **Rank Interleaving**

This feature selects from the different rank memory interleaving methods. The options are **Auto**, 1 Way, 2 Way, 4 Way and 8 Way.

### **Patrol Scrub**

Patrol Scrubbing is a process that allows the CPU to correct correctable memory errors detected on a memory module and send the correction to the requestor (the original source). When this item is set to Enabled, the North Bridge will read and write back one cache line every 16K cycles, if there is no delay caused by internal processing. By using this method, roughly 64 GB of memory behind the North Bridge will be scrubbed every day. The options are **Enabled** and Disabled.

### **Demand Scrub**

Demand Scrubbing is a process that allows the CPU to correct correctable memory errors found on a memory module. When the CPU or I/O issues a demand-read command, and the read data from memory turns out to be a correctable error, the error is corrected and sent to the requestor (the original source). Memory is updated as well. Select Enabled to use Demand Scrubbing for ECC memory correction. The options are Enabled and **Disabled**.

### **Data Scrambling**

This feature enables Data Scrambling. The options are **Enabled** and Disabled.

### **Device Tagging**

This feature enables Device Tagging. The options are Enabled and **Disabled**.

### **Thermal Throttling**

This feature selects from the different throttling methods. The options are Disabled and **CLTT** (Closed Loop Thermal Throttling).

## **►South Bridge Configuration**

This item displays the current South Bridge Revision.

### **All USB Devices**

This feature enables all USB ports/devices. The options are **Enabled** and Disabled. When set to enabled, EHCI Controller 1 and 2 (below) become available.

### **EHCI Controller 1 / EHCI Controller 2**

This feature enables the Enhanced Host Controller Interface (EHCI). The options are **Enabled** and Disabled.

### Legacy USB Support

This feature enables support for legacy USB devices. Select Auto to disable legacy support if USB devices are not present. Select Disable to have USB devices available only for EFI applications. The options are **Enabled**, Disabled and Auto.

### Port 60/64 Emulation

This feature enables I/O port 60h/64h emulation support. This should be enabled for complete USB keyboard legacy support for non-USB aware Operating Systems. The options are **Enabled**, and Disabled.

### EHCI Hand-Off

This item is for Operating Systems that does not support Enhanced Host Controller Interface (EHCI) hand-off. When enabled, EHCI ownership change will be claimed by the EHCI driver. The settings are Enabled and **Disabled**.

## ►SATA Configuration

When this submenu is selected, the AMI BIOS automatically detects the presence of the IDE Devices and displays the following items:

### SATA Port0~Port5

This item displays the information detected on the installed SATA drives on the particular SATA port.

### SATA Mode

This item selects the mode for the installed drives. The options are Disabled, IDE Mode, **AHCI Mode** and RAID Mode. The following are displayed depending on your selection:

#### IDE Mode

The following items are displayed when IDE Mode is selected:

#### Serial-ATA Controller 0~1

This feature is used to activate/deactivate the SATA controller, and sets the compatibility mode. The options are Disabled, Enhanced and **Compatible**. The default of Serial-ATA Controller 1 is **Enhanced**.

### **AHCI Mode**

The following items are displayed when AHCI Mode is selected:

#### **Aggressive Link Power Management**

This feature Enables or Disables Aggressive Link Power Management support for Cougar Point B0 stepping and later. The options are **Enabled** and Disabled.

#### **Port 0~5 Hot Plug**

Set this item to Enabled to enable hot-plugging for the particular port. The options are **Enabled** and Disabled.

#### **Staggered Spin Up**

Set this item to Enabled to enable Staggered Spin-up support. The options are Enabled and **Disabled**.

### **RAID Mode**

The following items are displayed when RAID Mode is selected:

#### **Port 0~5 Hot Plug**

Set this item to Enabled to enable hot-plugging for the particular port. The options are **Enabled** and Disabled.

## **►SCU Configuration**

When this submenu is selected, the AMI BIOS automatically detects the presence of the SAS SCU devices and displays the following items:

### **Storage Controller Unit (SCU)**

Set this item to Enabled to activate the chipset's SCU devices. The options are **Enabled** and Disabled.

### **OnChip SCU Option ROM**

Set this item to Enabled to activate the onboard SAS option ROM. The options are **Enabled** and Disabled.

## **►PCIe/PCI/PnP Configuration**

This feature allows the user to set the PCI/PnP configurations for the following items:

### **PCI ROM Priority**

In case of multiple Option ROMs (Legacy and EFI-compatible), this feature specifies what ROM to launch. The options are **Legacy ROM** and EFI Compatible ROM.

**PCI Latency Timer**

This feature sets the latency Timer of each PCI device installed on a PCI bus. Select 64 to set the PCI latency to 64 PCI clock cycles. The options are 32 PCI Bus Clocks, **64 PCI Bus Clocks**, 96 PCI Bus Clocks, 128 PCI Bus Clocks, 160 PCI Bus Clocks, 192 PCI Bus Clocks, 224 PCI Bus Clocks and 248 PCI Bus Clocks.

**Above 4G Decoding**

Set this item to Enabled to activate 64-bit capable devices to be decoded above the 4G address space. This works only if the system supports 64-bit PCI decoding. The options are Enabled and **Disabled**.

**PERR# Generation**

Set this item to Enabled to allow PCI devices to generate PERR# error codes. The options are Enabled and **Disabled**.

**SERR# Generation**

Set this item to Enabled to allow PCI devices to generate SERR# error codes. The options are Enabled and **Disabled**.

**Maximum Payload**

This feature selects the setting for the PCIE maximum payload size. The options are **Auto**, 128 Bytes, and 256 Bytes.

**Maximum Read Request**

This feature selects the setting for the PCIE maximum Read Request size. The options are **Auto**, 128 Bytes, 256 Bytes, 512 Bytes, 1024 Bytes, 2048 Bytes, and 4096 Bytes.

**ASPM Support**

Set this item to the desired ASPM (Active State Power Management) level. The options are **Disabled**, Auto, and Force L0s.

**SXB1 PCI-E 3.0 x16 OPROM**

Use this feature to enable or disable SXB1 PCI-E 3.0 x16 Option ROM. The options are Disabled and **Enabled**.

**SXB2 PCI-E 3.0 x8 OPROM**

Use this feature to enable or disable SXB2 PCI-E 3.0 x8 Option ROM. The options are Disabled and **Enabled**.

**Onboard LAN Option ROM Select**

This feature selects whether to load the iSCSI or PXE onboard LAN option ROM. The options are iSCSI and **PXE**.

---

### Load Onboard LAN1 Option ROM / Load Onboard LAN2 Option ROM

This feature is to enable or disable the onboard option ROMs. The options are Disabled and Enabled. The default for LAN 1 is **Enabled**. Default for LAN 2 is **Disabled**.

### VGA Priority

This option allows the user to specify which graphics controller to be used as the primary boot device. The options are **Onboard** and Offboard.

## ► Super IO Device Configuration

### ► Serial Port 1 Configuration

#### Serial Port

Select Enabled to enable the onboard serial port. The options are **Enabled** and Disabled.

#### Change Settings

This option specifies the base I/O port address and the Interrupt Request address of the serial port. The options for Serial Port 1 are listed below.

#### Auto,

IO=3F8h; IRQ=4;

IO=3F8h; IRQ=3;

IO=2F8h; IRQ=3;

IO=3E8h; IRQ=5;

IO=2E8h; IRQ=7;

IO=3F8h; IRQ=3, 4, 5, 6, 7, 10, 11, 12;

IO=2F8h; IRQ=3, 4, 5, 6, 7, 10, 11, 12;

IO=3E8h; IRQ=3, 4, 5, 6, 7, 10, 11, 12;

IO=2E8h; IRQ=3, 4, 5, 6, 7, 10, 11, 12;

#### Device Mode

Use this feature to select the desired mode for a serial port specified. The options are **Normal** and High Speed.

### ► Serial Port 2 Configuration

#### Serial Port

Select Enabled to enable the onboard serial port. The options are **Enabled** and Disabled.

### Change Settings

This option specifies the base I/O port address and the Interrupt Request address of the serial port. The options for Serial Port 2 are listed below.

#### Auto,

IO=3F8h; IRQ=4;

IO=3F8h; IRQ=3;

IO=2F8h; IRQ=3;

IO=3E8h; IRQ=5;

IO=2E8h; IRQ=7;

IO=3F8h; IRQ=3, 4, 5, 6, 7, 10, 11, 12;

IO=2F8h; IRQ=3, 4, 5, 6, 7, 10, 11, 12;

IO=3E8h; IRQ=3, 4, 5, 6, 7, 10, 11, 12;

IO=2E8h; IRQ=3, 4, 5, 6, 7, 10, 11, 12;

#### Device Mode

Use this feature to select the desired mode for a serial port specified. The options are **Normal** and High Speed.

#### Serial Port 2 Attribute

This feature allows the user to set the serial port mode for Console Redirection. The options are **SOL** and COM.

### ►Serial Port Console Redirection

These submenus allow the user to configure the following Console Redirection settings for a COM Port 0 or COM Port 1 as specified by the user.

#### COM 1/SOL

##### Console Redirection

Select Enabled to use a COM Port selected by the user for Console Redirection. The options are Enabled and Disabled. (The default setting for COM1 is **Disabled**, and for SOL is **Enabled**.)

## ► Console Redirection Settings

This feature allows the user to specify how the host computer will exchange data with the client computer, which is the remote computer used by the user.

### Terminal Type

This feature allows the user to select the target terminal emulation type for Console Redirection. Select VT100 to use the ASCII character set. Select VT100+ to add color and function key support. Select ANSI to use the extended ASCII character set. Select VT-UTF8 to use UTF8 encoding to map Unicode characters into one or more bytes. The options are ANSI, VT100, **VT100+**, and VT-UTF8.

### Bits Per Second

This item sets the transmission speed for a serial port used in Console Redirection. Make sure that the same speed is used in the host computer and the client computer. A lower transmission speed may be required for long and busy lines. The options are 9600, 19200, 38400, 57600, and **115200** (bits per second).

### Data Bits

Use this feature to set the data transmission size for Console Redirection. The options are 7 and **8** (Bits).

### Parity

A parity bit can be sent along with regular data bits to detect data transmission errors. Select Even if the parity bit is set to 0, and the number of 1's in data bits is even. Select Odd if the parity bit is set to 0, and the number of 1's in data bits is odd. Select None if you do not want to send a parity bit with your data bits in transmission. Select Mark to add mark as a parity bit to be sent along with the data bits. Select Space to add a Space as a parity bit to be sent with your data bits. The options are **None**, Even, Odd, Mark, and Space.

### Stop Bits

A stop bit indicates the end of a serial data packet. Select 1 Stop Bit for standard serial data communication. Select 2 Stop Bits if slower devices are used. The options are **1** and 2.

### Flow Control

This feature allows the user to set the flow control for Console Redirection to prevent data loss caused by buffer overflow. Send a "Stop" signal to stop sending data when the receiving buffer is full. Send a "Start" signal to start sending data when the receiving buffer is empty. The options are **None** and Hardware RTS/CTS.

**VT-UTF8 Combo Key Support**

Select Enabled to enable VT-UTF8 Combination Key support for ANSI/VT100 terminals. The options are **Enabled** and Disabled.

**Recorder Mode**

Select Enabled to capture the data displayed on a terminal and send it as text messages to a remote server. The options are **Disabled** and Enabled.

**Resolution 100x31**

Select Enabled for extended-terminal resolution support. The options are Disabled and **Enabled**.

**Legacy OS Redirection Resolution**

Use this feature to select the number of rows and columns used in Console Redirection for legacy OS support. The options are 80x24 and **80x25**.

**Putty Keypad**

Use this feature to select function key and keypad setting on Putty. The options are **VT100**, LINUX, XTERMR6, SCO, ESCN, and VT400.

**Serial Port for Out-of-Band Management/Windows Emergency Management Services (EMS)**

This item allows the user to configure Console Redirection settings to support Out-of-Band Serial Port management.

**Console Redirection**

Select Enabled to use a COM Port selected by the user for Console Redirection. The options are **Enabled** and Disabled.

**►Console Redirection Settings**

This feature allows the user to specify how the host computer will exchange data with the client computer, which is the remote computer used by the user.

**Out-of-Band-Mgmt Port**

Use this feature to select the port for out-of-band management. The options are **COM1** and SOL.

**Terminal Type**

This feature allows the user to select the target terminal emulation type for Console Redirection. Select VT100 to use the ASCII character set. Select VT100+ to add color and function key support. Select ANSI to use the extended ASCII



character set. Select VT-UTF8 to use UTF8 encoding to map Unicode characters into one or more bytes. The options are ANSI, VT100, **VT100+**, and VT-UTF8.

#### **Bits Per Second**

This item sets the transmission speed for a serial port used in Console Redirection. Make sure that the same speed is used in the host computer and the client computer. A lower transmission speed may be required for long and busy lines. The options are 9600, 19200, 57600, and **115200** (bits per second).

#### **Flow Control**

This feature allows the user to set the flow control for Console Redirection to prevent data loss caused by buffer overflow. Send a "Stop" signal to stop sending data when the receiving buffer is full. Send a "Start" signal to start sending data when the receiving buffer is empty. The options are **None**, Hardware RTS/CTS, and Software Xon/Xoff.

### **►ACPI Settings**

Use this feature to configure Advanced Configuration and Power Interface (ACPI) power management settings for your system.

#### **ACPI Sleep State**

This setting allows you to configure the ACPI (Advanced Configuration and Power Interface) sleep state for your system when it is in the Suspend mode. The options are Suspend Disabled, **S1 (CPU Stop Clock)**.

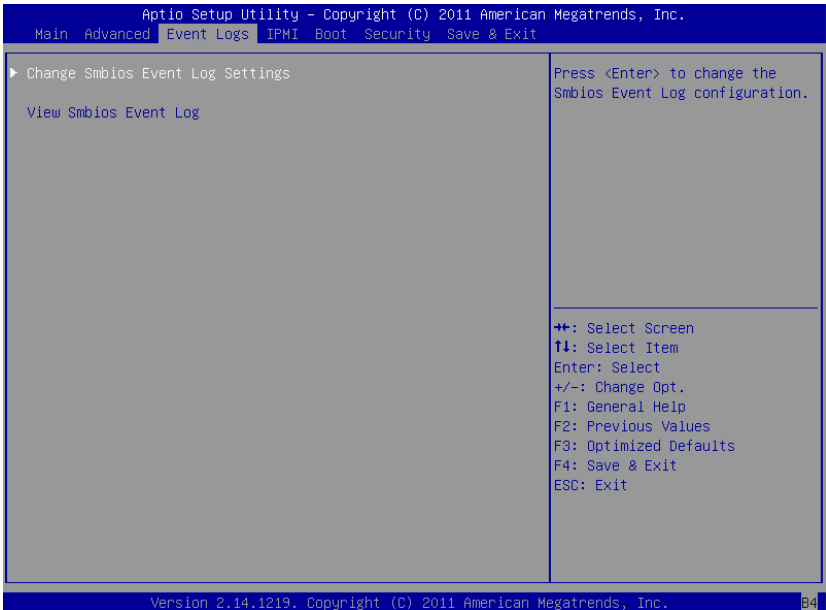
#### **High Precision Event Timer**

Select Enabled to activate the High Performance Event Timer (HPET) that produces periodic interrupts at a much higher frequency than a Real-time Clock (RTC) does in synchronizing multimedia streams, providing smooth playback and reducing the dependency on other timestamp calculation devices, such as an x86 RDTSC Instruction embedded in the CPU. The High Performance Event Timer is used to replace the 8254 Programmable Interval Timer. The options are **Enabled** and Disabled.

### **►ME Subsystem**

This item displays the ME Subsystem information.

## 4-4 Event Logs



### ►Change SmbIOS Event Log Settings

#### Smbios Event Log

Change this item to enable or disable all features of the Smbios Event Logging during boot. The options are **Enabled** and Disabled.

#### Runtime Error Logging Support

Change this item to enable or disable runtime error logging. The options are **Enabled** and Disabled.

#### Memory Correction Error Threshold

Change this item to define the system's memory correction error threshold. Directly enter a numeric value, **default is 10**.

#### PCI Error Logging Support

Change this item to enable or disable runtime error logging. The options are Enabled and **Disabled**.

### **Erase Event Log**

This option erases all logged events. The options are **No**, Yes, Next reset and Yes, Every reset.

### **When Log is Full**

This option automatically clears the Event Log memory of all messages when it is full. The options are **Do Nothing** and Erase Immediately.

### **Log System Boot Event**

This option toggles the System Boot Event logging to enabled or disabled. The options are **Disabled** and Enabled.

### **MECI**

The Multiple Event Count Increment (MECI) counter counts the number of times a duplicate event must happen before the MECI counter is incremented. This is a numeric value. The default value is **1**.

### **METW**

The Multiple Event Time Window (METW) defines number of minutes must pass between duplicate log events before MECI is incremented. This is in minutes, from 0 to 99. The default value is **60**.

### **View SmbIOS Event Log**

This feature displays the contents of the SmbIOS Event Log.

## 4-5 IPMI

Intelligent Platform Management Interface (IPMI) is a set of common interfaces that IT administrators can use to monitor system health and to manage the system as a whole. For more information on the IPMI specifications, please visit Intel's website at [www.intel.com](http://www.intel.com).



### ► System Event Log

This feature is used to change the System Event Log (SEL) configuration.

**SEL Components** - Change this item to enable or disable all features of System Event Logging. The options are **Enabled** and Disabled. When Enabled, the following can be configured:

**Erase SEL** - This option erases all logged SEL events. The options are **No**, **Yes**, **On Next reset** and **Yes, On Every reset**.

#### When SEL Full

This option automatically clears the System Event Log memory of all messages when it is full. The options are **Do Nothing** and **Erase Immediately**.

#### Log EFI Status Codes

This option enables or disables the logging of Extensible Firmware Interface (EFI) status codes. The options are **Enabled** and Disabled.

### ►BMC Network Configuration

Set this feature to configure the IPMI LAN adapter with a network address.

#### Update IPMI LAN Configuration

This feature allows the user to decide if the BIOS should configure the IPMI setting at next system boot. The options are **No** and Yes. If the option is set to Yes, the user is allowed to configure the IPMI settings at next system boot.

#### Configuration Source

This feature selects whether the IP address, Subnet Mask and Gateway Address are automatically assigned by the network's DHCP server (Dynamic Host and Configuration Protocol) "Dynamic" or manually entered by the user "Static". When Dynamic is selected, all the options below are automatically assigned to the system by itself or by an external DHCP server. If Static is selected, the IP Address, Subnet Mask and Gateway Address must be manually entered below. The options are Static and **DHCP**.

**Station IP Address** - Enter the IP address for this machine. This should be in decimal and in dotted quad form (i.e., 192.168.10.253). The value of each three-digit number separated by dots should not exceed 255.

**Subnet Mask** - Subnet masks tell the network which subnet this machine belongs to. The value of each three-digit number separated by dots should not exceed 255.

**Station MAC Address** - MAC addresses are 6 two-digit hexadecimal numbers (Base 16, 0 ~ 9, A, B, C, D, E, F) separated by dots (i.e., 00.30.48.D0.D4.60).

**Gateway IP Address** - Enter the Gateway or Router address (i.e., 192.168.10.1).

## 4-6 Boot Settings

Use this feature to configure Boot Settings:



### Boot Options Priorities

This feature allows the user to specify which devices are boot devices and the order of priority from which the systems boots during startup.

### Boot Option #1, Boot option #2, etc.

The settings are [**any detected boot device**] and Disabled.

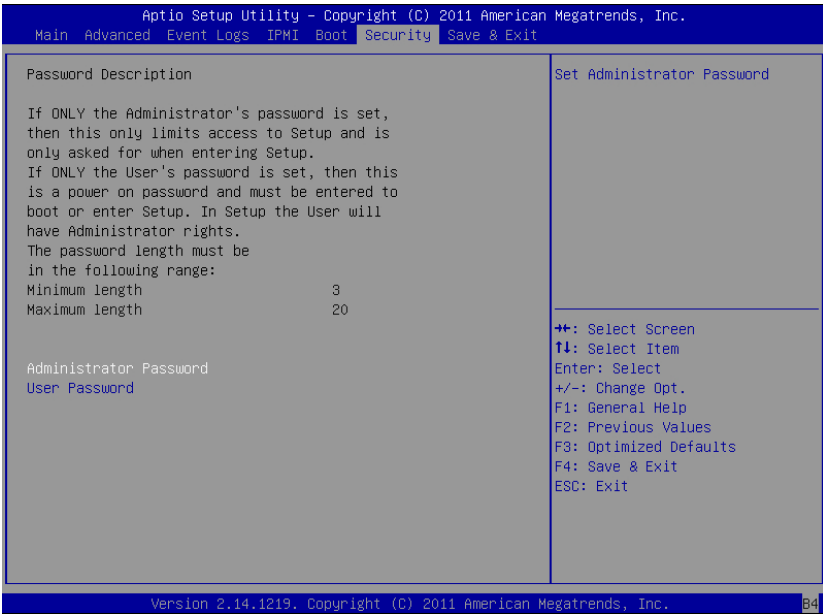
### Network Devices

This option sets the order of the legacy network devices detected by the motherboard.

### ►Delete Boot Option

This feature allows the user to delete a previously defined boot device from which the systems boots during startup. The settings are [**any pre defined boot device**].

## 4-8 Security Settings



- If the Administrator password is defined ONLY - this controls access to the BIOS setup ONLY.
- If the User's password is defined ONLY - this password will need to be entered during each system startup or boot, and will also have Administrator rights in the setup.
- Passwords must be at least 3 and up to 20 characters long.

### Administrator Password

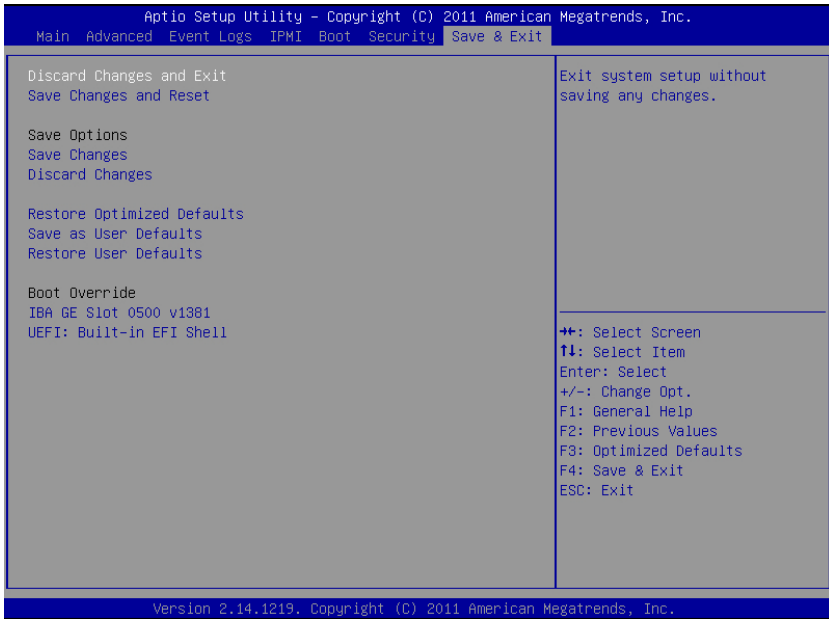
Press Enter to create a new, or change an existing Administrator password.

### User Password:

Press Enter to create a new, or change an existing User password.

## 4-8 Save & Exit

Select the Exit tab from the BIOS Setup Utility screen to enter the Exit BIOS Setup screen.



### Discard Changes and Exit

Select this option to quit the BIOS Setup without making any permanent changes to the system configuration, and reboot the computer. Select Discard Changes and Exit from the Exit menu and press <Enter>.

### Save Changes and Reset

When you have completed the system configuration changes, select this option to leave the BIOS Setup Utility and reboot the computer, so the new system configuration parameters can take effect. Select Save Changes and Exit from the Exit menu and press <Enter>.

### Save Changes

When you have completed the system configuration changes, select this option to save any changes made. This will not reset (reboot) the system.



### **Discard Changes**

Select this option and press <Enter> to discard all the changes and return to the AMI BIOS Utility Program.

### **Restore Optimized Defaults**

To set this feature, select Restore Defaults from the Exit menu and press <Enter>. These are factory settings designed for maximum system stability, but not for maximum performance.

### **Save As User Defaults**

To set this feature, select Save as User Defaults from the Exit menu and press <Enter>. This enables the user to save any changes to the BIOS setup for future use.

### **Restore User Defaults**

To set this feature, select Restore User Defaults from the Exit menu and press <Enter>. Use this feature to retrieve user-defined settings that were saved previously.

### **Boot Override**

Listed on this section are other boot options for the system (i.e., Built-in EFI shell). Select an option and press <Enter>. Your system will boot to the selected boot option.

---

---

## Appendix A

### BIOS Error Beep Codes

During the POST (Power-On Self-Test) routines, which are performed each time the system is powered on, errors may occur.

**Non-fatal errors** are those which, in most cases, allow the system to continue with bootup. The error messages normally appear on the screen.

**Fatal errors** will not allow the system to continue to bootup. If a fatal error occurs, you should consult with your system manufacturer for possible repairs.

These fatal errors are usually communicated through a series of audible beeps. The numbers on the fatal error list correspond to the number of beeps for the corresponding error.

#### A-1 BIOS Error Beep Codes

BIOS Error Beep Codes		
Beep Code/LED	Error Message	Description
1 beep	Refresh	Circuits have been reset. (Ready to power up)
5 short beeps + 1 long beep	Memory error	No memory detected in the system
5 beeps	Display memory read/write error	Video adapter missing or with faulty memory
OH LED On	System OH	System Overheat

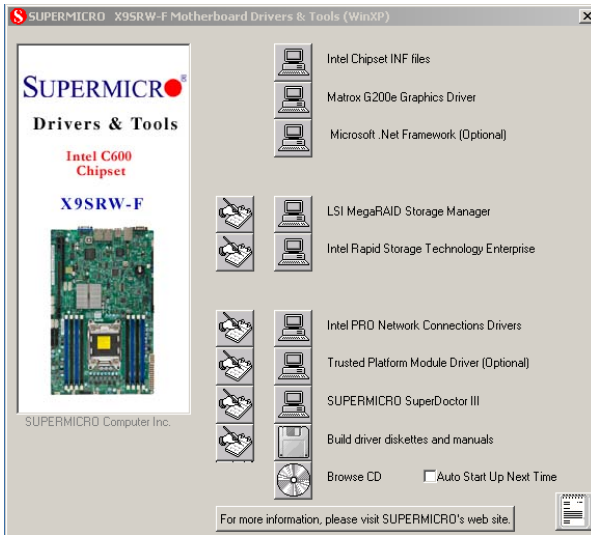
## Notes

## Appendix B

### Software Installation Instructions

#### B-1 Installing Drivers

After you've installed the Windows Operating System, a screen as shown below will appear. You are ready to install software programs and drivers that have not yet been installed. To install these software programs and drivers, click the icons to the right of these items. (**Note:** To install the Windows Operating System, please refer to the instructions posted on our website at [http://www.supermicro.com/support/manuals/.](http://www.supermicro.com/support/manuals/))



#### Driver/Tool Installation Display Screen



**Note 1:** Click the icons showing a hand writing on the paper to view the readme files for each item. Click on a computer icon to the right of an item to install this item (from top to the bottom), one at a time. After installing each item, you must reboot the system before proceeding with the next item on the list. The bottom icon with a CD on it allows you to view the entire contents of the CD.

**Note 2:** When making a storage driver diskette by booting into a Driver CD, please set the SATA Configuration to "Compatible Mode" and configure SATA as IDE in the BIOS Setup. After making the driver diskette, be sure to change the SATA settings back to your original settings.

## B-2 Configuring SuperDoctor<sup>®</sup> III

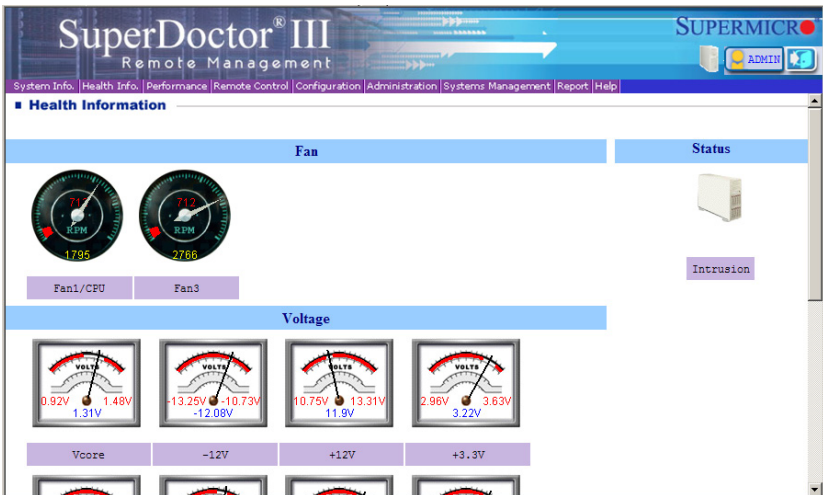
The SuperDoctor<sup>®</sup> III program is a Web-based management tool that supports remote management capability. It includes Remote and Local Management tools. The local management is called the SD III Client. The SuperDoctor III program included on the CDROM that came with your baseboard allows you to monitor the environment and operations of your system. SuperDoctor III displays crucial system information such as CPU temperature, system voltages and fan status. See the Figure below for a display of the SuperDoctor III interface.



**Note 1:** The default user name and password are ADMIN.

**Note 2:** In the Windows OS environment, the SuperDoctor III settings take precedence over the BIOS settings. When first installed, SuperDoctor III adopts the temperature threshold settings previously set in BIOS. Any subsequent changes to these thresholds must be made within SuperDoctor, since the SD III settings override the BIOS settings. For the Windows OS to adopt the BIOS temperature threshold settings, please change the SDIII settings to be the same as those set in BIOS.

### SuperDoctor<sup>®</sup> III Interface Display Screen-I (Health Information)



## SuperDoctor® III Interface Display Screen-II (Remote Control)



**Graceful power control (cancelable)**

Super Doctor III allows a user to inform the OS to reboot or shut down the system within 30 seconds. On the system console, a pop-up window will appear with a message telling the local user to save his working files. Before the system reboots or shuts down, it's allowed to cancel the action either locally or remotely.

**Power control (noncancelable)**

Super Doctor III allows a user to inform the OS to reboot or shut down the system right away. The system will reboot or shut down without any warning messages. It's not allowed to cancel the action.



**Note:** The SuperDoctor III User's Guide and SD III Software Revision 1.0 can be downloaded from our Website at: <http://www.supermicro.com/products/accessories/software/SuperDoctorIII.cfm>

For Linux, we recommend that you use SuperDoctor II. The download link is also found in the link above.

## Notes

(Disclaimer Continued)

The products sold by Supermicro are not intended for and will not be used in life support systems, medical equipment, nuclear facilities or systems, aircraft, aircraft devices, aircraft/emergency communication devices or other critical systems whose failure to perform be reasonably expected to result in significant injury or loss of life or catastrophic property damage. Accordingly, Supermicro disclaims any and all liability, and should buyer use or sell such products for use in such ultra-hazardous applications, it does so entirely at its own risk. Furthermore, buyer agrees to fully indemnify, defend and hold Supermicro harmless for and against any and all claims, demands, actions, litigation, and proceedings of any kind arising out of or related to such ultra-hazardous use or sale.