



SSE-F3548S/SSE-F3548SR

Spaning Tree

User's Guide

Revision 1.0

The information in this USER'S GUIDE has been carefully reviewed and is believed to be accurate. The vendor assumes no responsibility for any inaccuracies that may be contained in this document, makes no commitment to update or to keep current the information in this manual, or to notify any person organization of the updates. Please Note: For the most up-to-date version of this manual, please see our web site at www.supermicro.com.

Super Micro Computer, Inc. ("Supermicro") reserves the right to make changes to the product described in this manual at any time and without notice. This product, including software, if any, and documentation may not, in whole or in part, be copied, photocopied, reproduced, translated or reduced to any medium or machine without prior written consent.

DISCLAIMER OF WARRANTY ON SOFTWARE AND MATERIALS. You expressly acknowledge and agree that use of the Software and Materials is at your sole risk. FURTHERMORE, SUPER MICRO COMPUTER INC. DOES NOT WARRANT OR MAKE ANY REPRESENTATIONS REGARDING THE USE OR THE RESULTS OF THE USE OF THE SOFTWARE OR MATERIALS IN TERMS OF THEIR CORRECTNESS, ACCURACY, RELIABILITY, OR OTHERWISE. NO ORAL OR WRITTEN INFORMATION OR ADVICE GIVEN BY SUPER MICRO COMPUTER INC. OR SUPER MICRO COMPUTER INC. AUTHORIZED REPRESENTATIVE SHALL CREATE A WARRANTY OR IN ANY WAY INCREASE THE SCOPE OF THIS WARRANTY. SHOULD THE SOFTWARE AND/OR MATERIALS PROVE DEFECTIVE, YOU (AND NOT SUPER MICRO COMPUTER INC. OR A SUPER MICRO COMPUTER INC. AUTHORIZED REPRESENTATIVE) ASSUME THE ENTIRE COST OF ALL NECESSARY SERVICE, REPAIR, OR CORRECTION.

LIMITATION OF LIABILITY. UNDER NO CIRCUMSTANCES INCLUDING NEGLIGENCE, SHALL SUPER MICRO COMPUTER INC. BE LIABLE FOR ANY INCIDENTAL, SPECIAL, OR CONSEQUENTIAL DAMAGES THAT RESULT FROM THE USE OR INABILITY TO USE THE SOFTWARE OR MATERIALS, EVEN IF SUPER MICRO COMPUTER INC. OR A SUPER MICRO COMPUTER INC. AUTHORIZED REPRESENTATIVE HAS BEEN ADVISED OF THE POSSIBILITY OF SUCH DAMAGES.

Any disputes arising between manufacturer and customer shall be governed by the laws of Santa Clara County in the State of California, USA. The State of California, County of Santa Clara shall be the exclusive venue for the resolution of any such disputes. Super Micro's total liability for all claims will not exceed the price paid for the hardware product.

Manual Revision 1.0
Release Date: 3/2/2020

Unless you request and receive written permission from Super Micro Computer, Inc., you may not copy any part of this document.

Information in this document is subject to change without notice. Other products and companies referred to herein are trademarks or registered trademarks of their respective companies or mark holders.

Copyright © 2020 by Super Micro Computer, Inc.
All rights reserved.
Printed in the United States of America

Document Revision History

Date	Revision	Description
03/2/2020	1.0	Initial document.

Contents

1	Spanning Tree.....	5
2	Root Switch Election Procedure	6
3	Spanning Tree Support.....	7
4	Spanning Tree Defaults.....	7
5	Enabling/Disabling Spanning Tree.....	8
5.1	Enable/Disable Spanning Tree Globally	8
5.2	Enable/Disable Spanning Tree on Ports.....	9
6	Configuring MST	10
6.1	Configuring MST Region and Instances	11
7	Configuring RSTP	12
8	Spanning Tree Compatibility.....	13
9	Configuring the Root Switch (or) Priority	14
10	Port Priority	15
11	Path Cost.....	17
12	Hello Time.....	19
13	Max Age.....	21
14	Forwarding Time	22
15	Max Hops.....	23
16	Path Cost Long/Short.....	24
17	Transmit Hold Count.....	24
18	Root Guard.....	25
19	Topology Change Guard	27
20	Port Fast.....	28
21	Auto Edge	29
22	Link Type.....	30
23	Spanning Tree Configuration Examples	32
	Contacting Supermicro.....	35

1 Spanning Tree

Switches are interconnected to provide network access to a large number of end stations. In complex networks, it is possible to have multiple network paths between any two end devices. The multiple paths form network loops that lead to a flooding of packets by forwarding broadcast and multicast packets repeatedly over the looped connections. Flooding makes the network unusable until the looped connections are disconnected and the flooding stopped.

Spanning tree protocol helps to avoid flooding on network loops. Spanning tree protocols form a loop-free, tree structured logical network topology over physical network connections.

Spanning tree enabled switches exchange spanning tree protocol messages (BPDU) to form a loop-free topology. Based on the exchanged BPDU information, the spanning tree algorithm selects one of the switches on the network as the root switch for the tree topology. All other switches on the networks choose the best loop-free path to reach the root switch. The redundant paths to root switch are blocked to form a loop-free topology.

The spanning tree algorithm assigns one of the following roles to every port on the switch.

Root Port	<ul style="list-style-type: none">• Port to reach the root switch with lowest path cost• Root ports forwards the traffic
Designated Port	<ul style="list-style-type: none">• Loop-free connection to other switches on the LAN• Designated ports forward the traffic
Alternate Port	<ul style="list-style-type: none">• Redundant path to the root switch• Alternate ports do not forward the traffic
Blocked Port	<ul style="list-style-type: none">• Redundant path to other switches on the LAN• Blocked ports do not forward the traffic

When the network connections status changes, spanning tree recalculates the paths to form a loop-free topology. Spanning tree calculations are based on the following three key factors:

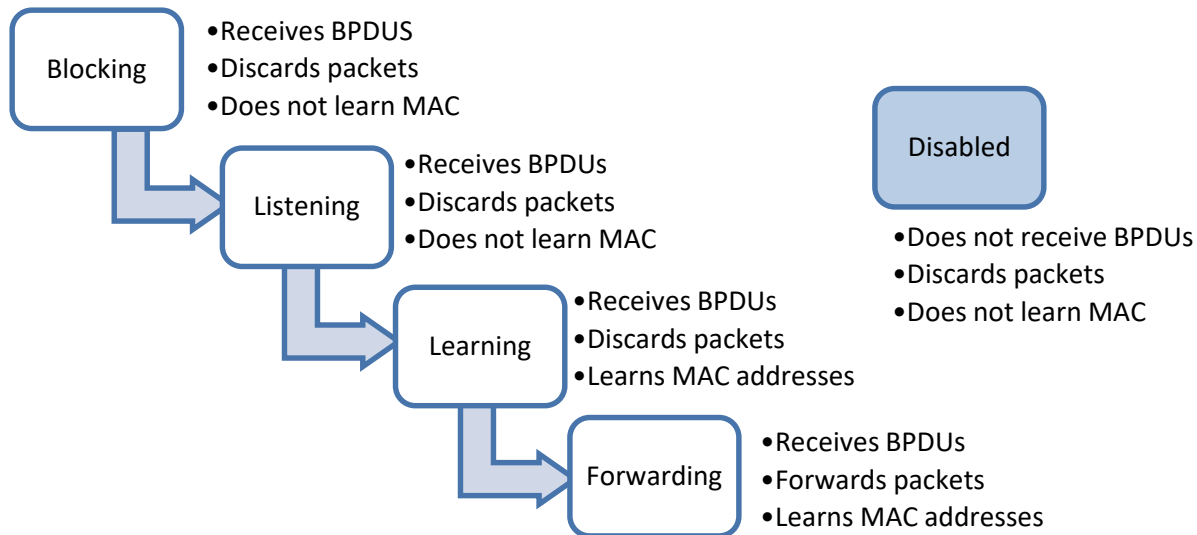
Bridge Identifier: Combination of switch MAC address and switch spanning tree priority

Path Cost: Spanning tree path cost to the root switch

Port Identifier: Combination of port number and port priority

When a switch boots up, it assumes its role as the root switch. It sends out spanning tree BPDUs with its bridge ID as the root bridge ID. When a switch receives spanning tree BPDUs, it compares the received BPDU information. If the received BPDU information is superior, the switch uses the received BPDU information to decide the root bridge and recalculates the spanning tree. If the received BPDU information is inferior, the switch ignores the received BPDU.

Spanning tree operates the switch ports in different states while calculating the loop-free topology. The BPDU exchange between switches takes a few seconds in large LANs. To avoid any temporary loops while forming spanning tree topology, the switch ports are moved through different states to reach the forwarding state. Switch ports stay in one of the following spanning tree states:



Since spanning tree forms a logical loop-free topology, it helps to have physical loop connections on the network for redundancy purposes. When an active connection fails, spanning tree automatically enables the blocked redundant connection.

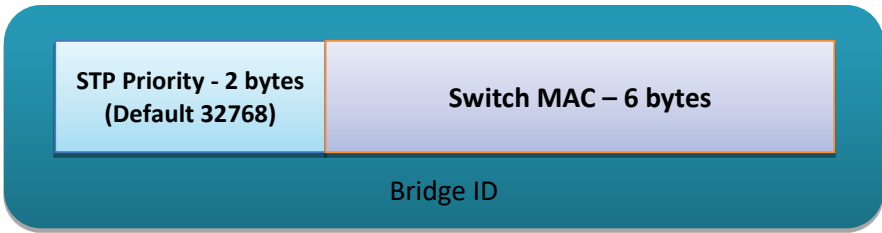
Rapid Spanning Tree Protocol (RSTP) provides faster topology convergence. Spanning tree (STP) takes more than 30 seconds to move a port to a forwarding state, but RSTP can move a port to the forwarding state within 3 times of the hello interval (default hello interval is 2 seconds). RSTP is compatible with STP.

Multiple Spanning Tree Protocol (MSTP) extends RSTP to provide separate spanning trees for different VLANs or VLAN groups. This helps to use alternate paths efficiently by blocking the ports only for the required VLANs. MSTP is compatible with RSTP.

2 Root Switch Election Procedure

Spanning tree protocol selects one switch as the root switch for every switched LAN. This root switch is used as the reference point to decide the spanning tree topology. Based on the connections to this root switch, the redundant links on the LAN are identified and blocked. Spanning tree runs an election process to elect one switch as the root switch.

Spanning tree selects the switch with the lowest bridge ID as the root switch. Every switch on the LAN has a bridge ID. The bridge ID has two components: the priority and the MAC address of the switch. The spanning tree priority occupies the most significant two bytes of the bridge ID. The default spanning tree priority is 32768.



When a switch starts spanning tree it sends out BPDUs with its bridge ID as the root bridge ID. When a switch receives the BPDUs, it compares the received root bridge ID with its own bridge ID. If the received root bridge ID is lower than its own bridge ID, the received switch accepts the other switch as the root switch. In case the received root bridge ID is higher than its own bridge ID, the received switch ignores the received BPDU and continue to act as the root switch. If the priorities of all switches are same, the switch MAC addresses decide the lowest bridge ID and hence the switch with the lowest MAC address will be elected as the root switch.

3 Spanning Tree Support

Supermicro switches support STP, RSTP and MSTP protocols based on standards IEEE 802.1D 2004 and 802.1s.

4 Spanning Tree Defaults

Parameter	Default Value										
Spanning tree global status	Enabled										
Spanning tree port status	Enabled										
Spanning tree mode	MST										
Switch priority	32768										
Port priority	128										
Port cost	<table border="1"> <thead> <tr> <th>Port Speed</th> <th>Default Path Cost</th> </tr> </thead> <tbody> <tr> <td>10 Mbps</td> <td>2000000</td> </tr> <tr> <td>100 Mbps</td> <td>200000</td> </tr> <tr> <td>1 Gbps</td> <td>20000</td> </tr> <tr> <td>10 Gbps</td> <td>2000</td> </tr> </tbody> </table>	Port Speed	Default Path Cost	10 Mbps	2000000	100 Mbps	200000	1 Gbps	20000	10 Gbps	2000
Port Speed	Default Path Cost										
10 Mbps	2000000										
100 Mbps	200000										
1 Gbps	20000										
10 Gbps	2000										
Hello time	2 seconds										

Forwarding time	15 seconds
Maximum aging time	20 seconds
Transmit hold count	3
Max hops	20
Path cost method	Long
MST region name	Switch MAC address
MST region revision	0
Spanning tree compatibility	In MSTP mode, the default compatibility is MSTP and in RSTP mode the default compatibility is RSTP
Root guard	Disabled
Topology change guard	Disabled
Port fast	Disabled
Auto edge	Enabled
Link type	Full duplex ports – point to point links Half duplex ports – shared LAN links

5 Enabling/Disabling Spanning Tree

5.1 Enable/Disable Spanning Tree Globally

Spanning tree is enabled by default in Supermicro switches globally. Follow the steps below to disable the spanning tree globally.

Step	Command	Description
Step 1	configure terminal	Enters the configuration mode
Step 2	no spanning-tree	Disables the spanning tree globally
Step 3	end	Exits the configuration mode.
Step 4	show spanning-tree	Displays the spanning tree information.
Step 5	write startup-config	Optional step – saves this spanning tree configuration to be part of startup configuration.



The “spanning-tree” command enables the spanning tree globally.

The examples below show ways to disable/enable the spanning tree function on Supermicro switches.

Disable the spanning tree.

```
SMIS# configure terminal
```

```
SMIS(config)# no spanning-tree
```

```
SMIS(config)# end
```

Enable the spanning tree.

```
SMIS# configure terminal
```

```
SMIS(config)# spanning-tree
```

```
SMIS(config)# end
```

5.2 Enable/Disable Spanning Tree on Ports

Spanning tree is enabled by default on all the ports and port channels in Supermicro switches.

Follow the steps below to disable spanning tree on ports.

Step	Command	Description
Step 1	configure terminal	Enters the configuration mode
Step 2	interface <interface-type><interface-id> or interface range <interface-type><interface-id>	Enters the port interface mode. interface-type – may be any of the following: fx-ethernet – fx cx-ethernet – cx port-channel – po interface-id is in slot/port format for all physical interfaces. It may be the port channel identifier for port channel interfaces. To configure multiple interfaces, use the “interface range ...” command. To provide a range use a hyphen (-) between the start and end interface numbers. E.g.: int range fx 0/1-10 To provide multiple interfaces or ranges, use separate with a comma (.). E.g.: int range fx 0/1-10, fx 0/20
Step 3	To disable the spanning tree in RST mode: spanning-tree disable To disable the default MST instance spanning tree: spanning-tree disable	Disables the spanning tree on the port. instance-id – The MST instance identifier may be from 1 to 16.

	To disable the particular MST instance spanning tree. spanning-tree mst<instance-id>disable	
Step 4	end	Exits the configuration mode.
Step 5	show spanning-tree interface <interface-type><interface-id> show running-config interface <interface-type><interface-id>	Displays the spanning tree port information.
Step 6	write startup-config	Optional step – saves this spanning tree configuration to be part of startup configuration.



The “no spanning-tree disable” command enables spanning tree on ports.

The examples below show various ways to disable/enable the spanning tree on ports.

Disable the spanning tree on ports cx 0/1 and cx 0/2.

SMIS# configure terminal

SMIS(config)# interface range cx 0/1-2

SMIS(config-if)# spanning-tree disable

SMIS(config)# end

Enable the spanning tree on port cx 0/1.

SMIS# configure terminal

SMIS(config)# interface cx 0/1

SMIS(config-if)# **no**spanning-tree disable

SMIS(config)# end

6 Configuring MST

Spanning tree is enabled by default in MST mode in Supermicro switches.

In case the switch was configured earlier in RST mode, follow the steps below to change to MST mode.

Step	Command	Description
Step 1	configure terminal	Enters the configuration mode
Step 2	spanning-tree mode mst	Configures the switch to operate in MST mode.
Step 3	end	Exits the configuration mode.
Step 4	show spanning-tree	Displays the spanning tree mode information.

Step 5	write startup-config	Optional step – saves this spanning tree configuration to be part of startup configuration.
--------	----------------------	---------------------------------------------------------------------------------------------



Changing the spanning tree mode will shut down the spanning tree currently running and restarts it in the new mode given.

6.1 Configuring MST Region and Instances

All the spanning tree switches in an MST region must have the same values configured for the following parameters.

- Region name
- Revision number
- Instance to VLAN mapping

Follow the steps below to configure the MST region parameters.

Step	Command	Description
Step 1	configure terminal	Enters the configuration mode
Step 2	spanning-tree mst configuration	Enters the MST configuration mode
Step 3	instance<instance-id(1-16)>vlan<vlan-range>	Creates a MST instance and maps it to the given VLAN range. instance-id – The MST instance identifier may be from 1 to 16. vlan-range – may be any VLAN number or list of VLAN numbers. Multiple VLAN numbers can be provided as comma-separated values. Consecutive VLAN numbers can be provided as a range, such as 5-10. User can configure VLANs with identifiers 1 to 4069.
Step 4	name<name-string>	Configures the MST region name. name-string–Alphanumeric case sensitive string with maximum length of 32 characters. The default name is system MAC address.
Step 5	revision<revision-number>	Configures the MST region revision number.

		revision-number – The MST revision number may be from 0 to 65535. The default revision-number is 0.
Step 6	end	Exits the configuration mode.
Step 7	show spanning-tree mst configuration	Displays the spanning tree MSTconfiguration parameters.
Step 8	write startup-config	Optional step – saves this spanning tree configuration to be part of startup configuration.



The “no name” command removes the configured MST region name.

The “no revision” command resets the configured MST region revision number to its default value of 0.

The examples below show various ways to configure MST region parameters.

Configure the MST region with name dc1_region, revision number 1 and map the VLANs 100 to 300 to MST instance 10.

```
SMIS# configure terminal
SMIS(config)# spanning-tree mst configuration
SMIS(config-mst)# name dc1_region
SMIS(config-mst)# revision 1
SMIS(config-mst)# instance 10 vlan 100-300
SMIS(config-mst)# end
```

Remove the VLANs 201 to 250 from MST instance 10.

```
SMIS# configure terminal
SMIS(config)# spanning-tree mst configuration
SMIS(config-mst)# noinstance 10 vlan 201-250
SMIS(config-mst)# end
```

Delete the MST instance 10.

```
SMIS# configure terminal
SMIS(config)# spanning-tree mst configuration
SMIS(config-mst)# noinstance 10
SMIS(config-mst)# end
dfghdfgh
```

7 Configuring RSTP

Spanning tree is enabled by default in MST mode in Supermicro switches.

Follow the steps below to change to RSTP.

Step	Command	Description
------	---------	-------------

Step 1	configure terminal	Enters the configuration mode
Step 2	spanning-tree mode rst	Configures the switch to operate in RSTP mode.
Step 3	end	Exits the configuration mode.
Step 4	show spanning-tree	Displays the spanning tree mode information.
Step 5	write startup-config	Optional step – saves this spanning tree configuration to be part of startup configuration.



Changing the spanning tree mode will shut down the spanning tree currently running and restart it in the new mode given.

8 Spanning Tree Compatibility

MSTP is backward compatible with RSTP and STP. Similarly, RSTP is backward compatible with STP. When an MSTP operating switch detects an RSTP operating switch in any port, the MSTP switch will downgrade to RSTP operating mode on that port.

Similarly, when an MSTP or RSTP operating switch detects an STP operating switch in any port, the switch will downgrade to STP operating mode on that port.

Users can force the switch to operate in any particular compatibility mode. In user configured STP compatible mode, a switch will transmit and receive only STP BPDUs and will drop any received RSTP and MSTP BPDUS.

In MSTP mode the default compatibility is MSTP and in RSTP mode the default compatibility is RSTP. Follow the steps below to configure the spanning tree compatibility.

Step	Command	Description
Step 1	configure terminal	Enters the configuration mode
Step 2	To force the spanning tree compatibility as STP spanning-tree compatibility stp To force the spanning tree compatibility as RSTP spanning-tree compatibility rst To force the spanning tree compatibility as MSTP spanning-tree compatibility mst	Configures the spanning tree compatibility.
Step 3	end	Exits the configuration mode.
Step 4	show spanning-tree	Displays the spanning tree mode information.

Step 5	write startup-config	Optional step – saves this spanning tree configuration to be part of startup configuration.
--------	----------------------	---------------------------------------------------------------------------------------------



The “no spanning-tree compatibility” command resets the spanning tree compatibility mode to the default value.

The examples below show various ways to configure the spanning tree compatibility.

Configure the spanning tree compatibility as STP.

```
SMIS# configure terminal
SMIS(config)# spanning-tree compatibility stp
SMIS(config)# end
```

Configure the spanning tree compatibility as RSTP.

```
SMIS# configure terminal
SMIS(config)# spanning-tree compatibility rst
SMIS(config)# end
```

9 Configuring the Root Switch (or) Priority

The switch with the lowest priority value gets elected as the root switch. To make any particular switch the root switch, configure it with a lower numeric priority value. The default spanning tree priority is 32768.

When priorities of all switches are the same, the switch with the lowest MAC address gets elected as the root switch.

Follow the steps below to change spanning tree priority.

Step	Command	Description																
Step 1	configure terminal	Enters the configuration mode																
Step 2	To configure the switch priority in RST mode: spanning-tree priority <priority-value> To configure the switch priority for the default MST instance 0: spanning-tree priority <priority-value> To configure the switch priority for particular MST instance: spanning-tree mst <instance-id> priority <priority-value>	Configures the switch spanning tree priority. priority-value – Spanning tree switch priority value in multiples of 4096 from 0 to 61440. In other words only the following priority values are valid.																
		<table border="1"> <tbody> <tr> <td>0</td> <td>4096</td> <td>8192</td> <td>12288</td> </tr> <tr> <td>16384</td> <td>20480</td> <td>24576</td> <td>28672</td> </tr> <tr> <td>32768</td> <td>36864</td> <td>40960</td> <td>45056</td> </tr> <tr> <td>49152</td> <td>53248</td> <td>57344</td> <td>61440</td> </tr> </tbody> </table>	0	4096	8192	12288	16384	20480	24576	28672	32768	36864	40960	45056	49152	53248	57344	61440
0	4096	8192	12288															
16384	20480	24576	28672															
32768	36864	40960	45056															
49152	53248	57344	61440															

		The default priority value is 32768. instance-id – The MST instance identifier may be from 1 to 16.
Step 3	end	Exits the configuration mode.
Step 4	show spanning-tree bridge priority show spanning-tree	Displays the spanning tree configuration parameters including the switch priority values.
Step 5	write startup-config	Optional step – saves this spanning tree configuration to be part of startup configuration.



The “no spanning-tree priority” command resets the spanning tree switch priority to the default value (32768). In MST mode, it resets the switch priority for the default MST instance 0.

The “no spanning-tree mst <instance-id>priority” command resets the spanning tree switch priority to the default value (32768) for the given MST instance.

The examples below show various ways to configure the spanning tree switch priority.

Configure the spanning tree switch priority as 4096 in RST mode.

```
SMIS# configure terminal
```

```
SMIS(config)# spanning-tree priority 4096
```

```
SMIS(config)# end
```

Configure the spanning tree switch priority as 4096 for the default MST instance 0.

```
SMIS# configure terminal
```

```
SMIS(config)# spanning-tree priority 4096
```

```
SMIS(config)# end
```

Configure the spanning tree switch priority as 4096 for the MST instance 10.

```
SMIS# configure terminal
```

```
SMIS(config)# spanning-tree mst 10 priority 4096
```

```
SMIS(config)# end
```

10 Port Priority

When spanning tree detects multiple paths to the root switch in a loop condition, it selects the port with the lowest path cost as the forwarding port.

In case of multiple ports having the same path cost to the root switch, spanning tree selects the port with the lowest numeric port priority value as the forwarding port.

When priorities of all the ports are the same, the port with the lowest port identifier gets selected as the forwarding port.

The port priority used in selection of the root port is the priority of the upstream switch port. Changing the port priority will affect the root port selection of the downstream switch connected to this port. It

will not affect the root port selection of the switch on which the port priority is changed.

Follow the steps below to change the spanning tree port priority.

Step	Command	Description
Step 1	configure terminal	Enters the configuration mode
Step 2	interface <interface-type><interface-id> or interface range <interface-type><interface-id>	Enters the port interface mode. interface-type – may be any of the following: fx-ethernet – fx cx-ethernet – cx port-channel – po interface-id is in slot/port format for all physical interfaces. It may be the port channel identifier for port channel interfaces. To configure multiple interfaces, use the “interface range ...” command. To provide a range use a hyphen (-) between the start and end interface numbers. E.g.: int range fx 0/1-10 To provide multiple interfaces or ranges, use separate with a comma (,). E.g.: int range fx 0/1-10, fx 0/20
Step 3	To configure the port priority in RST mode: spanning-tree port-priority <priority-value> To configure the port priority for the default MST instance 0: spanning-tree port-priority <priority-value> To configure the port priority for particular MST instance: spanning-tree mst <instance-id>port-priority <priority-value>	Configures the port spanning tree priority. priority-value – Spanning tree port priority value may be from 0 to 240. Priority value must be multiple of 16. The default priority value is 128. instance-id – The MST instance identifier may be from 1 to 16.
Step 4	end	Exits the configuration mode.
Step 5	show spanning-tree interface <interface-type><interface-id>	Displays the spanning tree port parameters including the port priority values.
Step 6	write startup-config	Optional step – saves this spanning tree configuration to be part of startup configuration.



The “no spanning-tree port-priority” command resets the spanning tree port priority to the default value (128). In MST mode, it resets the port priority for the default MST instance 0.

The “no spanning-tree mst <instance-id>port-priority” command resets the spanning tree port priority to the default value (128) for the given MST instance.

The examples below show various ways to configure the spanning tree port priority.

Configure the spanning tree port priority as 208 in RST mode on ports fx 0/1 and fx 0/2.

```
SMIS# configure terminal
SMIS(config)# interface range cx 0/1-2
SMIS(config-if)# spanning-tree port-priority 208
SMIS(config-if)# end
```

Configure the spanning tree port priority as 112 for the default MST instance 0 on port fx 0/1

```
SMIS# configure terminal
SMIS(config)# interface fx 0/1
SMIS(config-if)# spanning-tree port-priority 112
SMIS(config-if)# end
```

Configure the spanning tree port priority as 64 for the MST instance 10 on port cx 0/1

```
SMIS# configure terminal
SMIS(config)# interface cx 0/1
SMIS(config-if)# spanning-tree mst 10 port-priority 64
SMIS(config-if)# end
```

11 Path Cost

When spanning tree detects multiple paths to root switches in a loop condition, it selects the port with lowest path cost as the forwarding port. If multiple ports have the same path cost to the root switch, spanning tree selects the port with lowest numeric port priority value as the forwarding port. The default path cost for the ports are calculated based on the port speed. The table below shows the default path costs for different speeds.

Port Speed	Default Path Cost
10 Mbps	2000000
100 Mbps	200000
1 Gbps	20000
10 Gbps	2000

Follow the steps below to change the spanning tree path cost for ports.

Step	Command	Description
Step 1	configure terminal	Enters the configuration mode
Step 2	interface <interface-type><interface-id> or	Enters the port interface mode.

	interface range <interface-type><interface-id>	<p>interface-type – may be any of the following: fx-ethernet – fx cx-ethernet – cx port-channel – po</p> <p>interface-id is in slot/port format for all physical interfaces. It may be the port channel identifier for port channel interfaces.</p> <p>To configure multiple interfaces, use the “interface range ...” command. To provide a range use a hyphen (-) between the start and end interface numbers. E.g.: int range fx 0/1-10 To provide multiple interfaces or ranges, use separate with a comma (,). E.g.: int range fx 0/1-10, fx 0/20</p>
Step 3	<p>To configure the port priority in RST mode: spanning-tree cost<cost-value></p> <p>To configure the port priority for the default MST instance 0: spanning-tree cost<cost-value></p> <p>To configure the port priority for particular MST instance: spanning-tree mst <instance-id>cost<cost-value></p>	<p>Configures the port spanning tree path cost. cost-value – Spanning tree port priority value may be from 1 to 200000000.</p> <p>The default path cost is calculated based on the port speed.</p> <p>instance-id – The MST instance identifier may be from 1 to 16.</p>
Step 4	end	Exits the configuration mode.
Step 5	show spanning-tree interface <interface-type><interface-id>	Displays the spanning tree port parameters including the port path cost values.
Step 6	write startup-config	Optional step – saves this spanning tree configuration to be part of startup configuration.



The “nospanning-tree cost” command resets the spanning tree port path cost to the default value. In MST mode, it resets the port path cost for the default MST instance 0.

The “no spanning-tree mst <instance-id>cost” command resets the spanning tree port path cost to the default value for the given MST instance.

The examples below show various ways to configure the spanning tree port path cost.

Configure the spanning tree port path cost as 200 in RST mode on ports cx 0/1 and cx 0/2.

```
SMIS# configure terminal
SMIS(config)# interface range cx 0/1-2
SMIS(config-if)# spanning-tree cost 200
SMIS(config-if)# end
```

Configure the spanning tree port priority as 200 for the default MST instance 0 on port fx 0/1

```
SMIS# configure terminal
SMIS(config)# interface fx 0/1
SMIS(config-if)# spanning-tree cost 200
SMIS(config-if)# end
```

Configure the spanning tree port priority as 20 for the MST instance 10 on port cx 0/1

```
SMIS# configure terminal
SMIS(config)# interface cx 0/1
SMIS(config-if)# spanning-tree mst 10 cost20
SMIS(config-if)# end
```

12 Hello Time

The root switch sends the BPDU messages on every port periodically for every hello time interval.

The default hello time is 2 seconds.

If switches do not receive BPDU messages for a period of 3 hello time intervals, spanning tree protocol assumes the root switch has failed.

In MSTP, the hello time is configurable on individual ports. In RSTP, the hello time is configured commonly for all ports.

Follow the steps below to change the hello time for RSTP.

Step	Command	Description
Step 1	configure terminal	Enters the configuration mode
Step 2	To configure the hello time in RST mode: spanning-tree hello-time<time-value>	Configures the hello time interval. time-value – Hello time value may be 1 or 2 seconds. The default hello time is 2 seconds.
Step 3	end	Exits the configuration mode.
Step 4	show spanning-tree interface <interface-type><interface-id>	Displays the spanning tree port parameters including the hello time values.
Step 5	write startup-config	Optional step – saves this spanning tree configuration to be part of startup configuration.



The “no spanning-tree hello-time” command resets the spanning tree port hello time to the default value of 2 seconds.

Follow the steps below to change the hello time for ports in MSTP.

Step	Command	Description
Step 1	configure terminal	Enters the configuration mode
Step 2	interface <interface-type><interface-id> or interface range <interface-type><interface-id>	Enters the port interface mode. interface-type – may be any of the following: fx-ethernet – fx cx-ethernet – cx port-channel – po interface-id is in slot/port format for all physical interfaces. It may be the port channel identifier for port channel interfaces. To configure multiple interfaces, use the “interface range ...” command. To provide a range use a hyphen (-) between the start and end interface numbers. E.g.: int range fx 0/1-10 To provide multiple interfaces or ranges, use separate with a comma (.). E.g.: int range fx 0/1-10, fx 0/20
Step 3	To configure the hello time in MST mode: spanning-tree mst hello-time<time-value>	Configures the hello time interval. time-value – Hello time value may be 1 or 2 seconds. The default hello time is 2 seconds.
Step 4	end	Exits the configuration mode.
Step 5	show spanning-tree bridge hello-time	Displays the spanning tree hello time.
Step 6	write startup-config	Optional step – saves this spanning tree configuration to be part of startup configuration.



The “no spanning-tree msthelo-time” command resets the spanning tree port hello time to the default value of 2 seconds.

The examples below show various ways to configure the spanning tree port hello time.
Configure the spanning tree port hello time as 1 second in RST mode.

```
SMIS# configure terminal
SMIS(config)# spanning-tree hello-time 1
SMIS(config)# end
Configure the MSTP hello time as 1 second for the port fx 0/1
SMIS# configure terminal
SMIS(config)# interface fx 0/1
SMIS(config-if)# spanning-tree mst hello-time 1
SMIS(config-if)# end
```

13 Max Age

Switches maintain the BPDU information for every port for a period called the max age. If BPDU configuration messages are not received on any ports for the max age time, the switch will reconfigure those ports.

The max age time affects failure detection and reconfiguration. A smaller max age time will help detect failures quickly. It is advisable to choose a max age time based on the maximum number of switches on the network between any two hosts.

The default max age time is 20 seconds.



The max age value should be less than twice of (forward time – 1).

Follow the steps below to change the max age time.

Step	Command	Description
Step 1	configure terminal	Enters the configuration mode
Step 2	To configure the max age time: spanning-tree max-age<age-value>	Configures the switch spanning tree max age time. age-value – Spanning tree max age value may be from 6 to 40 seconds. The default max age is 20.
Step 3	end	Exits the configuration mode.
Step 4	show spanning-tree bridge max-age show spanning-tree	Displays the spanning tree configuration parameters including the switch priority values.
Step 5	write startup-config	Optional step – saves this spanning tree configuration to be part of startup configuration.



The “no spanning-tree max-age” command resets the spanning tree max age to the default value of 20.

The example below shows how to configure the spanning tree max age.

Configure the max age as 12.

```
SMIS# configure terminal
```

```
SMIS(config)# spanning-tree max-age 12
```

```
SMIS(config)# end
```

14 Forwarding Time

The switch waits for the forwarding time interval of the listening and learning states before going to the forwarding state.

The default forwarding time is 15 seconds. Hence, the switch waits for 15 seconds in the listening state and waits for another 15 seconds in the learning state before going to the forwarding state.



The forwarding time value should maintain the following relation with max age:
 $2 * (\text{Forward Time} - 1) \geq \text{MaxAge}$

Follow the steps below to change the forwarding time.

Step	Command	Description
Step 1	configure terminal	Enters the configuration mode
Step 2	To configure the max age time: spanning-tree forward-time<time-value>	Configures the switch spanning tree max age time. time-value – Spanning tree forward time may be from 4 to 30 seconds. The default forwarding time is 15 seconds.
Step 3	end	Exits the configuration mode.
Step 4	show spanning-tree bridge forward-time	Displays the spanning tree forward time.
Step 5	write startup-config	Optional step – saves this spanning tree configuration to be part of startup configuration.



The “no spanning-tree forward-time” command resets the spanning tree forwarding time to the default value of 15.

The example below shows how to configure the spanning tree forward time.
 Configure the forwarding time as 12 seconds.
 SMIS# configure terminal
 SMIS(config)# spanning-tree forward-time 12
 SMIS(config)# end

15 Max Hops

MSTP uses a hop count to decide the validity of BPDU messages. The root switch sends a BPDU with a max hops count. Every switch decrements the hops count when forwarding the BPDU. When this hops count reaches zero, the switch discards the BPDU message.

The default max hops count is 20.

Follow the steps below to change the max hops.

Step	Command	Description
Step 1	configure terminal	Enters the configuration mode
Step 2	To configure the max age time: spanning-tree mst max-hops <maxhops-value>	Configures the switch MSTP max hops value. maxhops-value – MSTP max hops value may be from 6 to 40 seconds. The default max hops is 20.
Step 3	end	Exits the configuration mode.
Step 4	show spanning-tree mst	Displays the spanning tree max hops along with other MST information.
Step 5	write startup-config	Optional step – saves this spanning tree configuration to be part of startup configuration.



The “no spanning-tree mst max-hops” command resets the MST max hops to the default value of 20.

The example below shows how to configure the MSTP max hops.

Configure the MST max hops as 30.

SMIS# configure terminal
 SMIS(config)# spanning-tree mst max-hops 30
 SMIS(config)# end

16 Path Cost Long/Short

Spanning tree was originally designed with 16-bit path costs. This was good enough for fast Ethernet and Gigabit Ethernet speed links, but not for 10Gb and higher speed ports. Hence, spanning tree protocol introduced support for 32-bit path costs.

The 16-bit path costs method is referred to as the short path cost method and the 32-bit path cost method is referred to as the long path costs method.

In MSTP and RSTP modes, Supermicro switches support long path costs by default. In STP compatible RSTP mode, Supermicro switches uses short path costs by default.

Follow the steps below to change the path costs method.

Step	Command	Description
Step 1	configure terminal	Enters the configuration mode
Step 2	To configure the path cost method as short spanning-tree pathcost methodshort To configure the path cost method as long spanning-tree pathcost method long	Configures the path cost method. In MSTP and RSTP, the default path cost method is long. In STP compatible RSTP mode, the default path cost is short.
Step 3	end	Exits the configuration mode.
Step 4	show spanning-tree pathcost method	Displays the spanning tree path cost method information.
Step 5	write startup-config	Optional step – saves this spanning tree configuration to be part of startup configuration.



The “nospanning-tree pathcost method” command resets the path cost method to default value.

The example below shows how to configure the path cost method.

Configure the path cost method as short.

```
SMIS# configure terminal
```

```
SMIS(config)# spanning-tree pathcost method short
```

```
SMIS(config)# end
```

17 Transmit Hold Count

Transmit hold count helps control the BPDU burst traffic. The switch limits the number of BPDUs sent in one second with the transmit hold count. A higher transmit hold count value of allows switches to send

more number of BPDUs for faster convergence. But it might lead to high switch CPU utilization. The default transmit hold count is 3.

Follow the steps below to change the transmit hold count value.

Step	Command	Description
Step 1	configure terminal	Enters the configuration mode
Step 2	spanning-tree transmit hold-count <count_value>	Configures the transmit hold count value. Count-value – Transmit hold count value may be from 1 to 10. The default transmit hold count value is 3.
Step 3	end	Exits the configuration mode.
Step 4	show spanning-tree detail	Displays the spanning tree hold count information.
Step 5	write startup-config	Optional step – saves this spanning tree configuration to be part of startup configuration.



The “no spanning-tree transmit hold-count” command resets the hold count to the default value of 3.

The example below shows how to configure the transmit hold count value.

Configure the transmit hold count as 8.

```
SMIS# configure terminal
```

```
SMIS(config)# spanning-tree transmit hold-count 8
```

```
SMIS(config)# end
```

18 Root Guard

In spanning tree networks, the position of the root switch is important to achieve optimized topology. According to spanning tree protocol, any switch can become a root switch based on the priority and switch MAC address. Networks managed by multiple administrators can lead to multiple switches with a lowest priority to compete for root switch status. There is no option to block any switch becoming the root switch to maintain the optimized topology.

The root guard feature helps prevent any unexpected switch from becoming the root switch. If the root guard feature is enabled on a port, it prevents any switches connected to that port from becoming the root switch. If any superior BPDU is received on the root guard enabled port, the switch moves that port from a forwarding state to a listening state.

The root guard feature is disabled on all ports by default.

Follow the steps below to enable the root guard feature on the ports.

Step	Command	Description
Step 1	configure terminal	Enters the configuration mode
Step 2	interface <interface-type><interface-id> or interface range <interface-type><interface-id>	Enters the port interface mode. interface-type – may be any of the following: fx-ethernet – fx cx-ethernet – cx port-channel – po interface-id is in slot/port format for all physical interfaces. It may be the port channel identifier for port channel interfaces. To configure multiple interfaces, use the “interface range ...” command. To provide a range use a hyphen (-) between the start and end interface numbers. E.g.: int range fx 0/1-10 To provide multiple interfaces or ranges, use separate with a comma (.). E.g.: int range fx 0/1-10, fx 0/20
Step 3	spanning-tree restricted-role	Enables the root guard feature. The default option is the root guard feature disabled.
Step 4	end	Exits the configuration mode.
Step 5	show spanning-tree detail	Displays the spanning tree root guard information.
Step 6	write startup-config	Optional step – saves this spanning tree configuration to be part of startup configuration.



The “no spanning-tree restricted-role” command resets the root guard feature to the default value of disabled.

The example below shows how to enable the root guard feature.

Enable the root guard feature on ports cx 0/1 and cx 0/2

```
SMIS# configure terminal
```

```
SMIS(config)# interface range cx 0/1-2
```

```
SMIS(config-if)# spanning-tree restricted-role
```

```
SMIS(config-if)# end
```

19 Topology Change Guard

The topology change guard helps prevent unexpected topology changes. Network administrators can configure the topology guard on ports that are not expected to receive topology change BPDUs. Topology change BPDUs received on the topology change guard enabled ports will be dropped. The topology guard feature is disabled on all ports by default. Follow the steps below to enable the topology guard feature on the ports.

Step	Command	Description
Step 1	configure terminal	Enters the configuration mode
Step 2	interface <interface-type><interface-id> or interface range <interface-type><interface-id>	Enters the port interface mode. interface-type – may be any of the following: fx-ethernet – fx cx-ethernet – cx port-channel – po interface-id is in slot/port format for all physical interfaces. It may be the port channel identifier for port channel interfaces. To configure multiple interfaces, use the “interface range ...” command. To provide a range use a hyphen (-) between the start and end interface numbers. E.g.: int range fx 0/1-10 To provide multiple interfaces or ranges, use separate with a comma (.). E.g.: int range fx 0/1-10, fx 0/20
Step 3	spanning-tree restricted-tcn	Enables the topology guard feature. The default option is the topology guard feature disabled.
Step 4	end	Exits the configuration mode.
Step 5	show spanning-tree detail	Displays the spanning tree topology guard information.
Step 6	write startup-config	Optional step – saves this spanning tree configuration to be part of startup configuration.



The “no spanning-tree restricted-tcn” command resets the topology guard feature to the default value of disabled.

The example below shows how to enable the topology guard feature.

Enable the topology guard feature on ports cx 0/1 and cx 0/2

```
SMIS# configure terminal
```

```
SMIS(config)# interface range cx 0/1-2
```

```
SMIS(config-if)# spanning-tree restricted-tcn
```

```
SMIS(config-if)# end
```

20 Port Fast

When a port link is up, spanning tree does not allow the port to forward the packets immediately. Spanning tree moves the port through the listening and learning states before reaching the forwarding state. This state machine function helps achieve a loop-free topology, but delays the port operation of forwarding traffic.

Switch ports connected to computers and servers are not expected to cause any loops. Those ports can be configured with the port fast feature to start forwarding traffic immediately instead of waiting through the learning and listening states.



Configure the port fast feature only to ports that are connected to computers and servers. Configuring port fast on ports that are connected to other switches might cause network loops.

The port fast feature is disabled on all ports by default.

Follow the steps below to enable the port fast feature on the ports.

Step	Command	Description
Step 1	configure terminal	Enters the configuration mode
Step 2	interface <interface-type><interface-id> or interface range <interface-type><interface-id>	Enters the port interface mode. interface-type – may be any of the following: fx-ethernet – fx cx-ethernet – cx port-channel – po interface-id is in slot/port format for all physical interfaces. It may be the port channel identifier for port channel interfaces.

		To configure multiple interfaces, use the “interface range ...” command. To provide a range use a hyphen (-) between the start and end interface numbers. E.g.: int range fx 0/1-10 To provide multiple interfaces or ranges, use separate with a comma (,). E.g.: int range fx 0/1-10, fx 0/20
Step 3	spanning-tree portfast	Enables the port fast feature. The default setting is the port fast feature disabled.
Step 4	end	Exits the configuration mode.
Step 5	show spanning-tree detail	Displays the spanning tree port fast information.
Step 6	write startup-config	Optional step – saves this spanning tree configuration to be part of startup configuration.



The “no spanning-tree portfast” command resets the port fast feature to the default value of disabled.

The example below shows how to enable the port fast feature.

Enable the port fast feature on ports cx 0/1 and cx 0/2.

```
SMIS# configure terminal
```

```
SMIS(config)# interface range cx 0/1-2
```

```
SMIS(config-if)# spanning-tree portfast
```

```
SMIS(config-if)# end
```

21 Auto Edge

The auto edge feature is used to detect the other end of a device attached to a port. If no BPDU is received for a period of time on auto edge enabled ports, the switch marks them as edge ports assuming they are not connected to other switches. This helps quickly move the port to a forwarding state. Also, switches do not send topology change notifications when an edge port’s status changes.

The auto edge feature is enabled on all ports by default.

Follow the steps below to configure the auto edge feature on the ports.

Step	Command	Description
Step 1	configure terminal	Enters the configuration mode
Step 2	interface <interface-type><interface-id> or	Enters the port interface mode.

	interface range <interface-type><interface-id>	<p>interface-type – may be any of the following: fx-ethernet – fx cx-ethernet – cx port-channel – po</p> <p>interface-id is in slot/port format for all physical interfaces. It may be the port channel identifier for port channel interfaces.</p> <p>To configure multiple interfaces, use the “interface range ...” command. To provide a range use a hyphen (-) between the start and end interface numbers. E.g.: int range fx 0/1-10 To provide multiple interfaces or ranges, use separate with a comma (,). E.g.: int range fx 0/1-10, fx 0/20</p>
Step 3	<p>To enable the auto-edge spanning-tree auto-edge</p> <p>To disable the auto-edge no spanning-tree auto-edge</p>	<p>Enables or disabled the auto edge feature.</p> <p>The default setting is the auto edge feature enabled.</p>
Step 4	end	Exits the configuration mode.
Step 5	show spanning-tree detail	Displays the spanning tree auto edge information.
Step 6	write startup-config	Optional step – saves this spanning tree configuration to be part of startup configuration.

The example below shows how to disable the auto edge feature.

Disable the auto edge feature on ports cx 0/1 and cx 0/2

```
SMIS# configure terminal
```

```
SMIS(config)# interface range cx 0/1-2
```

```
SMIS(config-if)# no spanning-tree auto-edge
```

```
SMIS(config-if)# end
```

22 Link Type

Spanning tree decides the link type based on the duplex mode of the ports. It detects full duplex ports as point-to-point links and half duplex ports as a shared LAN links.

Point-to-point links are assumed to be connected directly to another spanning tree switch, whereas

shared LAN links are assumed to be connected with multiple switches through hubs. In point-to-point links, spanning tree negotiates with other end switches to move the ports rapidly to the forwarding state.

Users can override the link type of ports as either point-to-point links or as shared links.

Follow the steps below to configure the link type of the ports.

Step	Command	Description
Step 1	configure terminal	Enters the configuration mode
Step 2	interface <interface-type><interface-id> or interface range <interface-type><interface-id>	Enters the port interface mode. interface-type – may be any of the following: fx-ethernet – fx cx-ethernet – cx port-channel – po interface-id is in slot/port format for all physical interfaces. It may be the port channel identifier for port channel interfaces. To configure multiple interfaces, use the “interface range ...” command. To provide a range use a hyphen (-) between the start and end interface numbers. E.g.: int range fx 0/1-10 To provide multiple interfaces or ranges, use separate with a comma (,). E.g.: int range fx 0/1-10, fx 0/20
Step 3	To configure the link type as point to point spanning-tree link-type point-to-point To configure the link type as shared spanning-tree link-type shared	Configures the link type.
Step 4	end	Exits the configuration mode.
Step 5	show spanning-tree detail	Displays the spanning tree auto edge information.
Step 6	write startup-config	Optional step – saves this spanning tree configuration to be part of startup configuration.



The “no spanning-tree link-type” command resets the user configured link type to let switches detect the link type based on the duplex mode.

The example below shows the way to configure the link type.

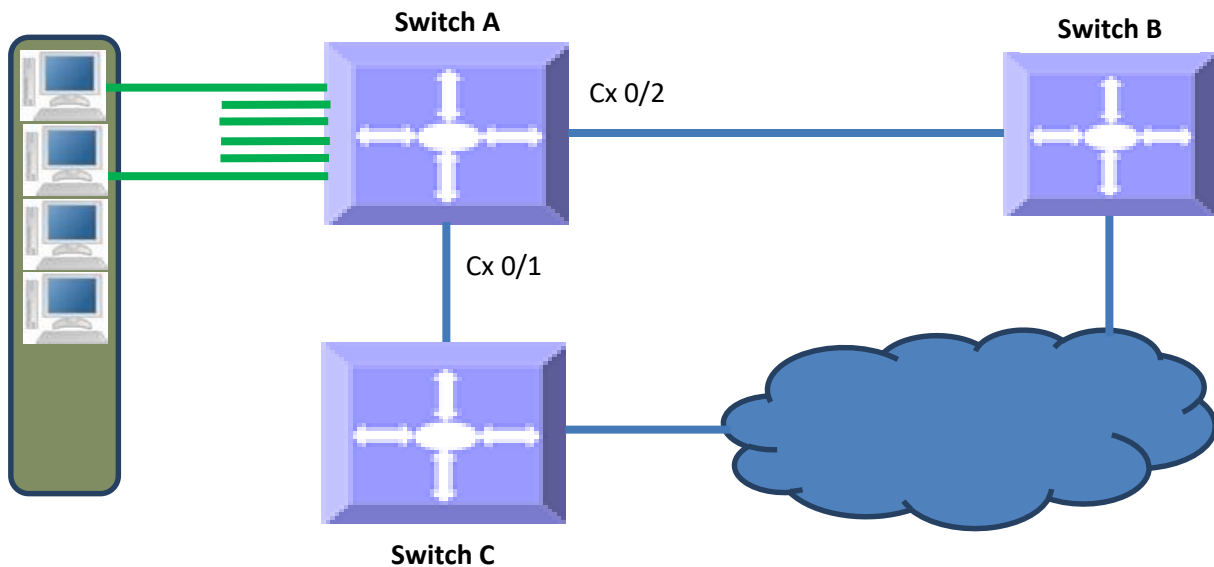
```
Configure the port fx 0/1 as a point-to-point link.
SMIS# configure terminal
SMIS(config)# interface fx 0/1
SMIS(config-if)# spanning-tree link-type point-to-point
SMIS(config-if)# end
```

23 Spanning Tree Configuration Examples

Configure the following requirements on the switches as shown below in FigureMSTP-Eg.1.

1. Configure two MST instances separately for VLANs 100 and 200.
2. Configure switch B as the root switch for the VLAN 100 instance.
3. Configure switch C as the root switch for the VLAN 200 instance.
4. Configure port fx 0/1-40 in all switches as port fast.

Figure MSTP-Eg.1Spanning Tree MSTP Configuration Example



```
Configurations on switch A
SMIS# configure terminal
# Create the VLANs 100 and 200
SMIS(config)# vlan 100,200
SMIS(config-vlan)# exit
# Create MST instance for vlan 100 and 200
SMIS(config)# spanning-tree mst configuration
SMIS(config-mst)# instance 1 vlan 100
SMIS(config-mst)# instance 2 vlan 200
SMIS(config-mst)# exit
# Configure the port fx 0/1-40 as port fast
```

```
SMIS(config)# interface range fx 0/1-40
SMIS(config-if)# spanning-tree portfast
Warning: portfast should only be enabled on ports connected to a single host.
Connecting hubs, concentrators, switches, bridges, etc. to this interface when portfast is enabled can
cause temporary bridging loops.
Use with CAUTION
SMIS(config-if)#exit
# Save this spanning tree configuration.
SMIS# write startup-config
Building configuration, Please wait. May take a few minutes ...
[OK]
SMIS#
Configurations on switch B
SMIS# configure terminal
# Create the VLANs 100 and 200
SMIS(config)# vlan 100,200
SMIS(config-vlan)# exit
# Create MST instance for vlan 100 and 200
SMIS(config)# spanning-tree mst configuration
SMIS(config-mst)# instance 1 vlan 100
SMIS(config-mst)# instance 2 vlan 200
SMIS(config-mst)# exit
# Configure the port fx 0/1-40 as port fast
SMIS(config)# interface range fx 0/1-40
SMIS(config-if)# spanning-tree portfast
Warning: portfast should only be enabled on ports connected to a single host.
Connecting hubs, concentrators, switches, bridges, etc. to this interface when portfast is enabled can
cause temporary bridging loops.
Use with CAUTION
SMIS(config-if)# exit
# Configure switch B as the root switch for VLAN 100 instance
SMIS(config)# spanning-tree mst 1 priority 4096
SMIS(config)# end
# Check the spanning tree MST configurations
SMIS# show spanning-tree mst 1 detail
## MST01
Vlans mapped: 100
Bridge Address 00:30:48:a1:11:01 Priority 4096
Root Address 00:30:48:a1:11:01 Priority 4096
Root this switch for MST01
Fx0/47 of MST01 is Designated, Forwarding
Port info port id 128.47 priority 128 cost 200000
Designated root address 00:30:48:a1:11:01 priority 4096 cost 0
Designated bridge address 00:30:48:a1:11:01 priority 4096 port id 128.47
SMIS#
# Save this spanning tree configuration.
SMIS# write startup-config
```

Building configuration, Please wait. May take a few minutes ...
[OK]
SMIS#Configurations on switch C
SMIS# configure terminal
Create the VLANs 100 and 200
SMIS(config)# vlan 100,200
SMIS(config-vlan)# exit
Create MST instance for vlan 100 and 200
SMIS(config)# spanning-tree mst configuration
SMIS(config-mst)# instance 1 vlan 100
SMIS(config-mst)# instance 2 vlan 200
SMIS(config-mst)# exit
Configure the port fx 0/1-40 as port fast
SMIS(config)# interface range fx 0/1-40
SMIS(config-if)# spanning-tree portfast
Warning: portfast should only be enabled on ports connected to a single host.
Connecting hubs, concentrators, switches, bridges, etc... to this interface
when portfast is enabled, can cause temporary bridging loops.
Use with CAUTION
SMIS(config-if)# exit
Configure switch C as the root switch for VLAN 200 instance
SMIS(config)# spanning-tree mst 2 priority 4096
SMIS(config)# end
Check the spanning tree MST configurations
SMIS# show spanning-tree mst 2 detail
MST02
Vlans mapped: 200
Bridge Address 00:30:48:e3:56:12 Priority 4096
Root Address 00:30:48:e3:56:12 Priority 4096
Root this switch for MST02
Fx0/47 of MST02 is Designated, Forwarding
Port info port id 128.47 priority 128 cost 200000
Designated root address 00:30:48:e3:56:12 priority 4096 cost 0
Designated bridge address 00:30:48:e3:56:12priority 4096 port id 128.47
SMIS#
Save this spanning tree configuration.
SMIS# write startup-config
Building configuration, Please wait. May take a few minutes ...
[OK]
SMIS#

Contacting Supermicro

Headquarters

Address: Super Micro Computer, Inc.
980 Rock Ave.
San Jose, CA 95131 U.S.A.
Tel: +1 (408) 503-8000
Fax: +1 (408) 503-8008
Email: marketing@supermicro.com (General Information)
support@supermicro.com (Technical Support)
Web Site: www.supermicro.com

Europe

Address: Super Micro Computer B.V.
Het Sterrenbeeld 28, 5215 ML
's-Hertogenbosch, The Netherlands
Tel: +31 (0) 73-6400390
Fax: +31 (0) 73-6416525
Email: sales@supermicro.nl (General Information)
support@supermicro.nl (Technical Support)
rma@supermicro.nl (Customer Support)
Web Site: www.supermicro.com.nl

Asia-Pacific

Address: Super Micro Computer, Inc.
3F, No. 150, Jian 1st Rd.
Zhonghe Dist., New Taipei City 235
Taiwan (R.O.C)
Tel: +886-(2) 8226-3990
Fax: +886-(2) 8226-3992
Email: support@supermicro.com.tw
Web Site: www.supermicro.com.tw